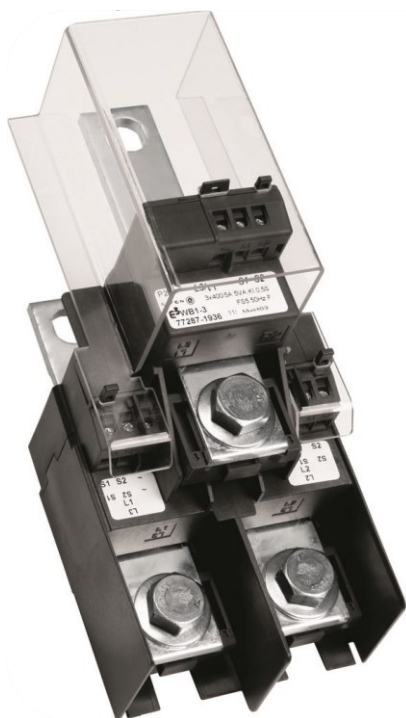


## E<sup>3</sup> current transformer bloc, size 1-3, for terminal compartment installation, standard and can be calibrated

E<sup>3</sup> current transformer blocks of size 1 – 3 measure currents inside the terminal compartment of E<sup>3</sup> NH fuse-switches. Thanks to their high accuracy they are suitable for use in systems calibrated for accounting purposes. The transformer blocks are available in all standard current stages with a transformation to 5 amperes. The additional terminal space cover provides protection against accidental contact with the 165-mm extension.



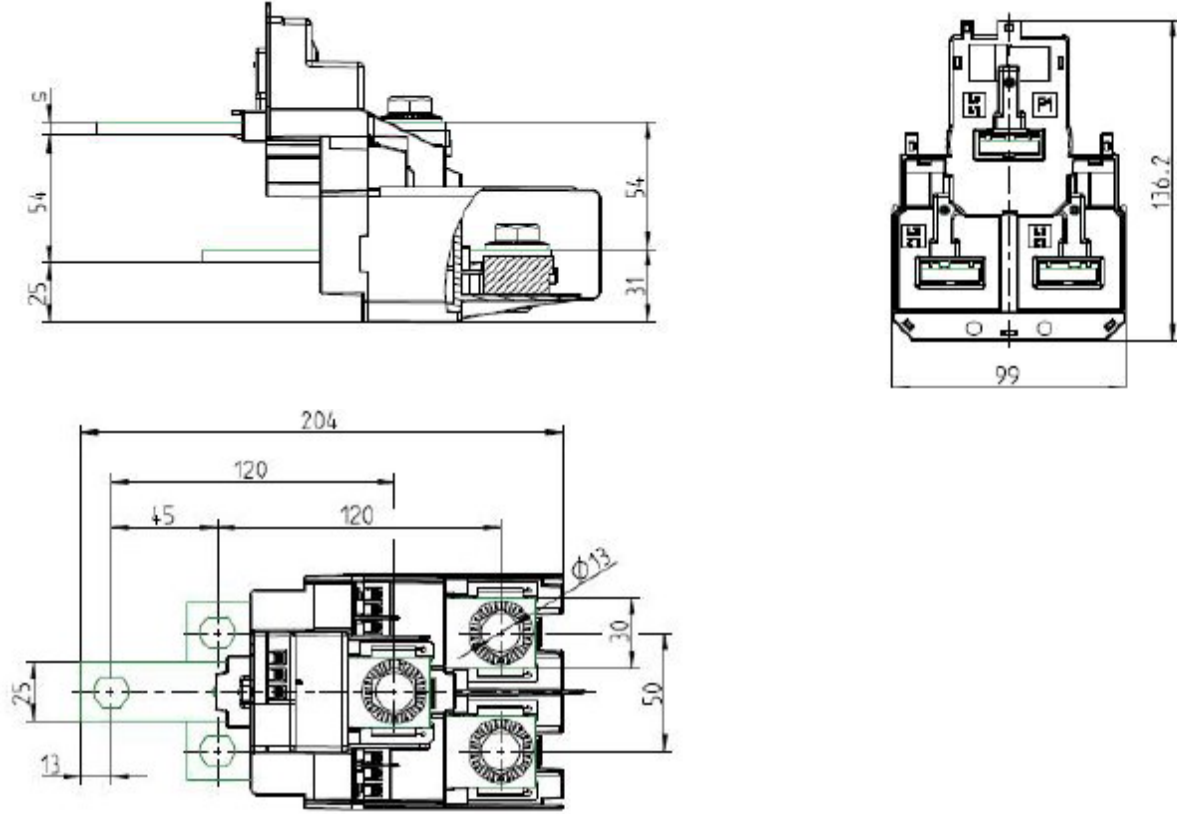
- **Compact design:** The width of 100 mm allows E<sup>3</sup> current transformer blocks of size 1 – 3 to be installed into correspondingly sized device spacings.
- **Quick mechanical attachment:** E<sup>3</sup> current transformer blocks are directly screwed onto the output busbars of the E<sup>3</sup> NH fuse-switches. This ensures a reliable and secure contact for a high measurement accuracy.
- **Simple secondary connections:** 4-mm<sup>2</sup> box terminals ensure the reliable connection of secondary lines.
- **Convenient voltage taps:** E<sup>3</sup> current transformer blocks come with one voltage tap at each external conductor as standard.

The transparent terminal cover allows transformer data to be read from the front, and the sealing cover permits its use for accounting purposes.

E <sup>3</sup> current transformer block, size 1 – 3, for terminal compartment installation, 3-phase measuring, including terminal space cover, calibratable version available acc. to PTB institute							
Description	Transformation ratio	VA power	Class	Order no.		PU	PG
				Standard	Calibratable		
E <sup>3</sup> WB1-3 3X200/5 2.5VA 0.5S	200/5	2.5	0.5s	77287-1636	77587-1636	1	E <sup>3</sup> Accessories
E <sup>3</sup> WB1-3 3X250/5 2.5VA 0.5S	250/5	2.5	0.5s	77287-1736	77587-1736		
E <sup>3</sup> WB1-3 3X300/5 5VA 0.5S	300/5	5.0	0.5s	77287-1846	77587-1846		
E <sup>3</sup> WB1-3 3X400/5 5VA 0.5S	400/5	5.0	0.5s	77287-1946	77587-1946		
E <sup>3</sup> WB1-3 3X600/5 5VA 0.5S	600/5	5.0	0.5s	77287-2146	77587-2146		

Sales start:	Delivery time:	Documentation:
Available	From stock, subject to prior sale	Product information 007, gross price sheet

## Dimensions drawings



## Technical data

Description	Unit	Value
<b>Electrical parameters</b>		
Technical data according to VDE 0414 T44-1/ IEC/EN 60044-1		
Primary rated current $I_{1N}$	A	See current transformer
Secondary rated current $I_{N2}$	A	See current transformer
Rated frequency	Hz	50-60
Rated power frequency withstand voltage	kV	0.72 / 3.0
Rated continuous thermal current	A	$1.2 \times I_n$
Rated short-time thermal current $I_{th}$		$60 \times I_n$ ; max. 50 kA
Permissible ambient temperature	°C	- 5 to + 40
Extended current range		120 %
Class of insulation in accordance with IEC 60085		E
<b>Terminal connection</b>		
Secondary terminal connection	mm <sup>2</sup>	2.5 – 4
Secondary terminal tightening torque	Nm	1.5 to 2
Terminal M12	Nm	32