



IN THE LINE OF POWER



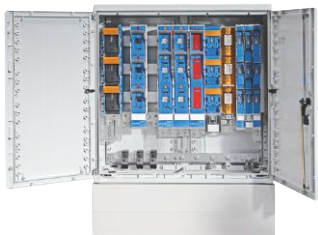
Solutions Integrated
Distribution and House Service Systems



Complete solutions from a single source

Having a constant and reliable supply of electric power is of overall importance for the well-being of economy and society alike. What this means to you: Addressing future challenges in a targeted and reflected manner. Integrating renewable energies reliably into existing structures. Dealing with system-immanent fluctuations and the growing power demand of new technologies such as electromobility.

As specialist vendor for safety interfaces, EFEN has extended its range of solutions for power distribution grids. Our distribution and house service systems are comprehensive solutions from a single source you can trust. They comply with the strictest quality requirements and are ready for tomorrow's smart grids.



Distribution systems
Distribution cabinets in accordance with DIN EN 61439 -5
Distribution pillars
Accessories

Page 4



Round distribution system
Distribution pillars, round
Accessories

Page 46



House distribution systems
House service pillars in accordance with DIN EN 61439 -5
House service boxes in accordance with DIN VDE 0660-5
Accessories

Page 58



House distribution equipment
Flush-mounted house service boxes
in accordance with DIN VDE 0660-505
Overhead-line house service boxes
Junction boxes

Page 74

Numerical appendix
Order number index
Type index

Page 90



Distribution systems

Versatile

Modular system with 4 widths and 3 heights for numerous applications.



Extendable

Flexibly extendable thanks to a wide range of original EFEN accessories.



Easy access

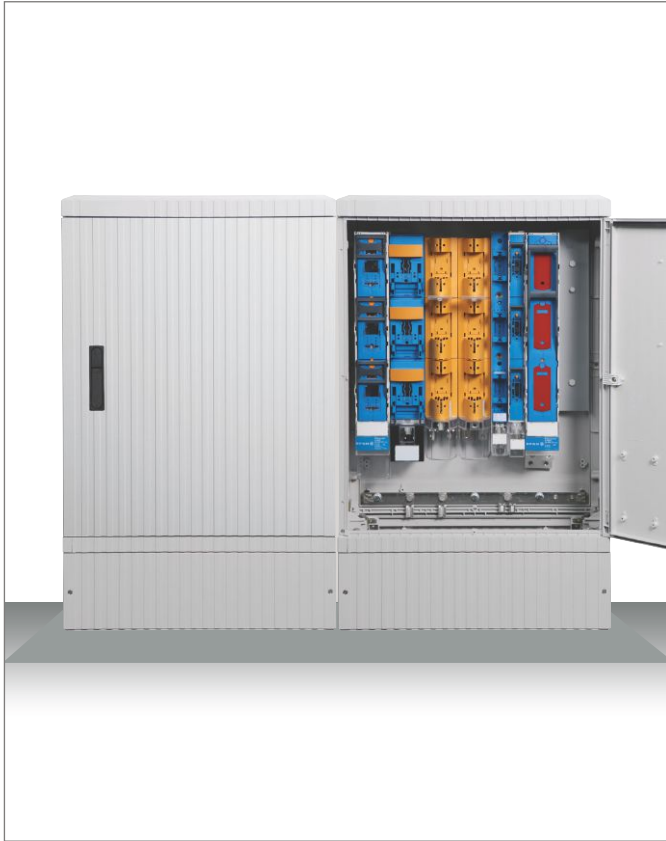
In stand-alone installations, doors open 180°. When set up side-by-side, doors open 90°.



Safely locked

Three-point espagnolette locking system for safe locking.





Distribution cabinets and pillars

Distribution cabinets, flat design	6
Distribution cabinets, size 00, 0, 1, 2	7
Fairground and market square distribution cabinets, size 00, 1 and 2	20
Distribution pillars, height 1420 mm, 1560 mm	11
Distribution pillars, height 1595 mm, 1710 mm, 2010 mm	12
Accessories for distribution cabinets and distribution pillars	15
Accessories for assembly	17
System overview	22

System

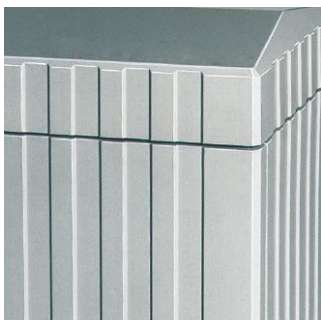
EFEN's distribution systems comply with DIN EN 61439-5 and can be flexibly extended to meet specific requirements. Clever solutions for smart-grid applications will soon be available. Profiled enclosure surfaces prevent the application of posters. A highly effective anti-graffiti coating and UV protection are available on request.

Features

Thanks to their modular design, EFEN distribution systems can be used for various applications. The distribution pillars can be equipped with pre-assembled baseplates or busbar systems as an option. EFEN distribution cabinets are available in 4 widths, 3 heights and 5 base variants, with baseplates or busbar systems as an option.

Profiled enclosures

Profiled enclosures prevent the application of posters. They are also available with an anti-graffiti coating.



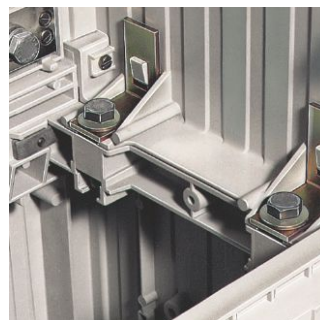
Robust stability

The available accessories offer superb stability under all conditions.



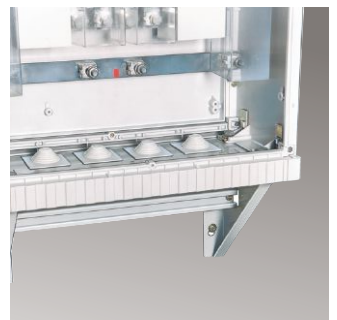
Functional base

A breaking point designed into the base prevents avoidable earthwork.



Optional wall-mounting

Alternatively to floor-mounting, the distribution cabinets can also be wall-mounted.



Distribution cabinets, flat design



93191-0000

Distribution cabinet, flat design, including assembled base

► Technical data, 32
Dimensional drawing, page 33
Accessories from page 25

Features:

- Degree of protection: IP44
- Made of glass-fibre-reinforced polyester of type FS 833.5 in accordance with DIN 16913
- Colour: RAL 7035 light grey
- Single-locking
- Innovative locking system allowing the utilisation of the entire installation depth of 190 mm

Designation	Height	Width	Depth	Sur. Cu	PU	Type	Order no.
Distribution cabinet 154, flat design, height 1500 mm, one door	1500	480	220	-	1	SL154	93191-0000
Distribution cabinet 154, flat design, height 1500 mm, one door, with PVC mounting panel 418 x 600 x 6 mm (H x W x D)	1500	480	220	-	1	SL154P	93191-0201



93820-5075

Base filler

Features:

- Filler material to reduce the accumulation of condensed water in enclosures located outdoors
- Required quantity for distribution cabinet 154 Flat = 1 bag

Designation	PU	Type	Order no.
Filler material to reduce the accumulation of condensed water in enclosures located outdoors. The fill height should be approx. 200 - 300 mm. 1 bag = 25 litres	1	95075	93820-5075

Distribution cabinets, size 00



93100-0000

Distribution cabinet, size 00, height 845 mm

Features:

- Degree of protection: IP44
- Made of glass-fibre-reinforced polyester of type FS 833.5 in accordance with DIN 16913
- Colour: RAL 7035 light grey
- Double-locking, one lock cylinder installed

Note:

Available as in-ground base only.

► Technical data, 34
Dimensional drawing, page 35
Accessories from page 24



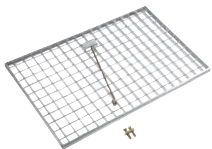
Designation	Height	Width	Depth	Sur. Cu	PU	Type	Order no.
Distribution cabinet, size 00, height 845 mm, one door, empty enclosure	845	480	315	-	1	SL084	93100-0000
Distribution cabinet, size 00, height 845 mm, one door, with PVC mounting panel 750 x 358 x 6 mm (H x W x D)	845	480	315	-	1	SL084P	93100-0201
Distribution cabinet, size 00, height 845 mm, one door, with busbar system (4-conductor E-Cu 30 x 6 mm), fits max. 4 installation units	845	480	315	0.249	1	SK084GA	93100-0302



93835-0010

Base for distribution cabinets, size 00

Designation	Height	Width	Depth	Sur. Cu	PU	Type	Order no.
In-ground base, size 00 / 900 mm (kit)	900	480	315	-	1	SX004	93835-0010



93825-0269

Steel floor grid

Designation	PU	Type	Order no.
Steel floor grid kit for distribution cabinet, size 00	1	90269	93825-0269



93820-5075

Base filler

Features:

- Filler material to reduce the accumulation of condensed water in enclosures located outdoors
- Required quantity for distribution cabinet size 00 = 2 bags

Designation	PU	Type	Order no.
Filler material to reduce the accumulation of condensed water in enclosures located outdoors. The fill height should be approx. 200 - 300 mm. 1 bag = 25 litres	1	95075	93820-5075

Busbar kit for distribution cabinets

Features:

- Tin-plated busbar surface
- Width 30 mm
- Clinch nut M12 fitted symmetrically in 100-mm grid
- Insulator bracket with mounting material

Designation	Sur. Cu	PU	Type	Order no.
Busbar kit, size 00, length 386 mm, E-Cu 3 x external-conductor busbar 30 x 6 mm (4 x M12), PEN/N bar 30 x 5 mm (5 x M12), insulator bracket and mounting material	0.249	1	DY98570S	93820-8570

Distribution cabinets in accordance with DIN EN 61439-5, size 0



93101-0000

Distribution cabinet in accordance with DIN EN 61439-5, size 0, height 845 mm

▶ Technical data, 34
Dimensional drawing, page 36
Accessories from page 24

Features:

- Degree of protection: IP44
- Made of glass-fibre-reinforced polyester of type FS 833.5 in accordance with DIN 16913
- Colour: RAL 7035
- Double-locking, one lock cylinder installed

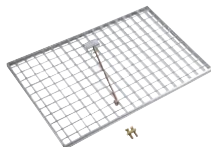
Designation	Height	Width	Depth	Sur. Cu	PU	Type	Order no.
Distribution cabinet, size 0, height 845 mm, one door, empty enclosure	845	585	315	-	1	SL080	93101-0000
Distribution cabinet, size 0, height 845 mm, one door, with PVC mounting panel 750 x 500 x 6 mm (H x W x D)	845	585	315	-	1	SL080P	93101-0201
Distribution cabinet, size 0, height 845 mm, one door, with busbar system (4-conductor E-Cu 30 x 6 mm), fits max. 5 installation units	845	585	315	0.355	1	SK080GA	93101-0302



93810-1010

Base for distribution cabinets, size 0

Designation	Height	Width	Depth	Sur. Cu	PU	Type	Order no.
In-ground base, size 0 / 900 mm (kit)	900	585	315	-	1	SX005	93810-1010
In-ground base, size 0 / 1125 mm, flood-proofing (kit)	1125	585	315	-	1	SX030	93835-1020
Floor-mounted base, size 0 / 250 mm	250	585	315	-	1	SX014	93835-1030



93825-0270

Steel floor grid

Designation	PU	Type	Order no.
Steel floor grid kit for distribution cabinet, size 0	1	90270	93825-0270



93820-5075

Base filler
Features:

- Filler material to reduce the accumulation of condensed water in enclosures located outdoors
- Required quantity for distribution cabinet, size 0 = 2 bags

Designation	PU	Type	Order no.
Filler material to reduce the accumulation of condensed water in enclosures located outdoors. The fill height should be approx. 200 - 300 mm. 1 bag = 25 litres	1	95075	93820-5075

Busbar kit for distribution cabinets
Features:

- Tin-plated busbar surface
- Width 30 mm
- Clinch nut M12 fitted symmetrically in 100-mm grid
- Insulator bracket with mounting material

Designation	Sur. Cu	PU	Type	Order no.
Busbar kit, size 0, length 491 mm, E-Cu 3 x external-conductor busbar 30 x 6 mm (5 x M12), PEN/N bar 30 x 5 mm (6 x M12), insulator bracket and mounting material	0.355	1	DY98579S	93820-8579

Distribution cabinets in accordance with DIN EN 61439-5, size 0



93102-0000

Distribution cabinet in accordance with DIN EN 61439-5, size 0, height 1005 mm

► Technical data, 34
Dimensional drawing, page 36
Accessories from page 24

Features:

- Degree of protection: IP44
- Made of glass-fibre-reinforced polyester of type FS 833.5 in accordance with DIN 16913
- Colour: RAL 7035
- Double-locking, one lock cylinder installed

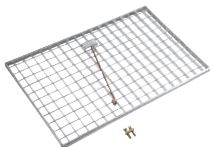
Designation	Height	Width	Depth	Sur. Cu	PU	Type	Order no.
Distribution cabinet, size 0, height 1005 mm, one door, empty enclosure	1005	585	315	-	1	SL100	93102-0000
Distribution cabinet, size 0, height 1005 mm, one door, with PVC mounting panel 895 x 491 x 6 mm (H x W x D)	1005	585	315	-	1	SL100P	93102-0201
Distribution cabinet, size 0, height 1005 mm, one door, with busbar system (4-conductor E-Cu 30 x 6 mm), fits max. 5 installation units	1005	585	315	0.355	1	SK100GA	93102-0302



93810-1010

Base for distribution cabinets, size 0

Designation	Height	Width	Depth	Sur. Cu	PU	Type	Order no.
In-ground base, size 0 / 900 mm (kit)	900	585	315	-	1	SX005	93810-1010
In-ground base, size 0 / 1125 mm, flood-proofing (kit)	1125	585	315	-	1	SX030	93835-1020
Floor-mounted base, size 0 / 250 mm	250	585	315	-	1	SX014	93835-1030
Wall bracket, size 0 with cover plate, 4 x drop-in stepped nipple grommets for cables of 50 - 185 mm ²	640	585	315	-	1	SX011	93835-1040



93825-0270

Steel floor grid

Designation	PU	Type	Order no.
Steel floor grid kit for distribution cabinet, size 0	1	90270	93825-0270



93820-5075

Base filler

Features:

- Filler material to reduce the accumulation of condensed water in enclosures located outdoors
- Required quantity for distribution cabinet, size 0 = 2 bags

Designation	PU	Type	Order no.
Filler material to reduce the accumulation of condensed water in enclosures located outdoors. The fill height should be approx. 200 - 300 mm. 1 bag = 25 litres	1	95075	93820-5075

Busbar kit for distribution cabinets

Features:

- Tin-plated busbar surface
- Width 30 mm
- Clinch nut M12 fitted symmetrically in 100-mm grid
- Insulator bracket with mounting material

Designation	Sur. Cu	PU	Type	Order no.
Busbar kit, size 0, length 491 mm, E-Cu 3 x external-conductor busbar 30 x 6 mm (5 x M12), PEN/N bar 30 x 5 mm (6 x M12), insulator bracket and mounting material	0.355	1	DY98579S	93820-8579

Distribution cabinets in accordance with DIN EN 61439-5, size 0



93103-0000

Distribution cabinet in accordance with DIN EN 61439-5, size 0, height 1355 mm

Features:

- Degree of protection: IP44
- Made of glass-fibre-reinforced polyester of type FS 833.5 in accordance with DIN 16913
- Colour: RAL 7035 light grey
- Double-locking, one lock cylinder installed

▶ Technical data, 34
Dimensional drawing, page 36
Accessories from page 24



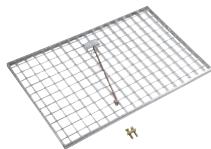
Designation	Height	Width	Depth	Sur. Cu	PU	Type	Order no.
Distribution cabinet, size 0, height 1355 mm, one door, empty enclosure	1355	585	315	-	1	SL130	93103-0000
Distribution cabinet, size 0, height 1355 mm, one door, with PVC mounting panel 1245 x 491 x 6 mm (H x W x D)	1355	585	315	-	1	SL130P	93103-0201



93810-1010

Base for distribution cabinets, size 0

Designation	Height	Width	Depth	Sur. Cu	PU	Type	Order no.
In-ground base, size 0 / 900 mm (kit)	900	585	315	-	1	SX005	93810-1010
In-ground base, size 0 / 1125 mm, flood-proofing (kit)	1125	585	315	-	1	SX030	93835-1020
Floor-mounted base, size 0 / 250 mm	250	585	315	-	1	SX014	93835-1030



93825-0270

Steel floor grid

Designation	PU	Type	Order no.
Steel floor grid kit for distribution cabinet, size 0	1	90270	93825-0270



93820-5075

Base filler

Features:

- Filler material to reduce the accumulation of condensed water in enclosures located outdoors
- Required quantity for distribution cabinet, size 0 = 2 bags

Designation	PU	Type	Order no.
Filler material to reduce the accumulation of condensed water in enclosures located outdoors. The fill height should be approx. 200 - 300 mm. 1 bag = 25 litres	1	95075	93820-5075

Busbar kit for distribution cabinets

Features:

- Tin-plated busbar surface
- Width 30 mm
- Clinch nut M12 fitted symmetrically in 100-mm grid
- Insulator bracket with mounting material

Designation	Sur. Cu	PU	Type	Order no.
Busbar kit, size 0, length 491 mm, E-Cu 3 x external-conductor busbar 30 x 6 mm (5 x M12), PEN/N bar 30 x 5 mm (6 x M12), insulator bracket and mounting material	0.355	1	DY98579S	93820-8579

Distribution cabinets in accordance with DIN EN 61439-5, size 1



93110-0000

Distribution cabinet in accordance with DIN EN 61439-5, size 1, height 845 mm

► Technical data, 34
Dimensional drawing, page 38
Accessories from page 24

Features:

- Degree of protection: IP44
- Made of glass-fibre-reinforced polyester of type FS 833.5 in accordance with DIN 16913
- Colour: RAL 7035 light grey
- Double-locking, one lock cylinder installed



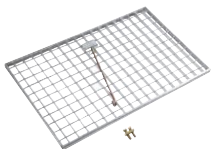
Designation	Height	Width	Depth	Sur. Cu	PU	Type	Order no.
Distribution cabinet, size 1, height 845 mm, one door, empty enclosure	845	780	315	-	1	SL081	93110-0000
Distribution cabinet, size 1, height 845 mm, one door, with mounting panel PVC 750 x 658 x 6 mm (H x W x D)	845	780	315	-	1	SL081P	93110-0201
Distribution cabinet, size 1, height 845 mm, one door, with busbar system (4-conductor E-Cu 30 x 6 mm), fits max. 7 installation units	845	780	315	0.497	1	SK081GA	93110-0302
Distribution cabinet, size 1, height 845 mm, two doors, with mounting panel PVC 750 x 658 x 6 mm (H x W x D), asymmetric doors	845	780	315	-	1	SL081V	93110-0401



93835-0110

Base for distribution cabinets, size 1

Designation	Height	Width	Depth	Sur. Cu	PU	Type	Order no.
In-ground base, size 1 / 900 mm (kit)	900	780	315	-	1	SX006	93835-0110
In-ground base, size 1 / 1125 mm, flood-proofing (kit)	1125	780	315	-	1	SX031	93835-0120
Floor-mounted base, size 1 / 250 mm	250	780	315	-	1	SX015	93835-0130



93825-0271

Steel floor grid

Designation	PU	Type	Order no.
Steel floor grid kit for distribution cabinet, size 1	1	90271	93825-0271



93820-5075

Base filler

Features:

- Filler material to reduce the accumulation of condensed water in enclosures located outdoors
- Required quantity for distribution cabinet, size 1 = 3 bags

Designation	PU	Type	Order no.
Filler material to reduce the accumulation of condensed water in enclosures located outdoors. The fill height should be approx. 200 - 300 mm. 1 bag = 25 litres	1	95075	93820-5075

Busbar kit for distribution cabinets

Features:

- Tin-plated busbar surface
- Width 30 mm
- Clinch nut M12 fitted symmetrically in 100-mm grid
- Insulator bracket with mounting material

Designation	Sur. Cu	PU	Type	Order no.
Busbar kit, size 1, length 686 mm, E-Cu 3 x external-conductor busbar 30 x 6 mm (7 x M12), PEN/N bar 30 x 5 mm (8 x M12), insulator bracket and mounting material	0.497	1	DY98580S	93820-8580

Distribution cabinets in accordance with DIN EN 61439-5, size 1



93112-0000

Distribution cabinet in accordance with DIN EN 61439-5, size 1, height 1005 mm

Features:

- Degree of protection: IP44
- Made of glass-fibre-reinforced polyester of type FS 833.5 in accordance with DIN 16913
- Colour: RAL 7035 light grey
- Double-locking, one lock cylinder installed

▶ Technical data, 34
Dimensional drawing, page 38
Accessories from page 24



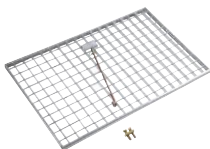
Designation	Height	Width	Depth	Sur. Cu	PU	Type	Order no.
Distribution cabinet, size 1, height 1005 mm, one door, empty enclosure	1005	780	315	-	1	SL101	93112-0000
Distribution cabinet, size 1, height 1005 mm, one door, with mounting panel PVC 895 x 686 x 6 mm (H x W x D)	1005	780	315	-	1	SL101P	93112-0201
Distribution cabinet, size 1, height 1005 mm, one door, with busbar system (4-conductor E-Cu 30 x 6 mm), fits max. 7 installation units	1005	780	315	0.497	1	SK101GA	93111-0302
Distribution cabinet, size 1, height 1005 mm, two doors, with mounting panel PVC 895 x 686 x 6 mm (H x W x D), asymmetric doors	1005	780	315	-	1	SL101V	93112-0401



93835-0110

Base for distribution cabinets, size 1

Designation	Height	Width	Depth	Sur. Cu	PU	Type	Order no.
In-ground base, size 1 / 900 mm (kit)	900	780	315	-	1	SX006	93835-0110
In-ground base, size 1 / 1125 mm, flood-proofing (kit)	1125	780	315	-	1	SX031	93835-0120
Floor-mounted base, size 1 / 250 mm	250	780	315	-	1	SX015	93835-0130
Wall bracket, size 1 with cover plate, 6 x drop-in stepped nipple grommets for cables of 50 - 185 mm ²	640	780	315	-	1	SX012	93835-0140



93825-0271

Steel floor grid

Designation	PU	Type	Order no.
Steel floor grid kit for distribution cabinet, size 1	1	90271	93825-0271



93820-5075

Base filler

Features:

- Filler material to reduce the accumulation of condensed water in enclosures located outdoors
- Required quantity for distribution cabinet, size 1 = 3 bags

Designation	PU	Type	Order no.
Filler material to reduce the accumulation of condensed water in enclosures located outdoors. The fill height should be approx. 200 - 300 mm. 1 bag = 25 litres	1	95075	93820-5075

Busbar kit for distribution cabinets

Features:

- Tin-plated busbar surface
- Width 30 mm
- Clinch nut M12 fitted symmetrically in 100-mm grid
- Insulator bracket with mounting material

Designation	Sur. Cu	PU	Type	Order no.
Busbar kit, size 1, length 686 mm, E-Cu 3 x external-conductor busbar 30 x 6 mm (7 x M12), PEN/N bar 30 x 5 mm (8 x M12), insulator bracket and mounting material	0.497	1	DY98580S	93820-8580

Distribution cabinets in accordance with DIN EN 61439-5, size 1



93113-0000

Distribution cabinet in accordance with DIN EN 61439-5, size 1, height 1355 mm

▶ Technical data, 34
Dimensional drawing, page 38
Accessories from page 24

Features:

- Degree of protection: IP44
- Made of glass-fibre-reinforced polyester of type FS 833.5 in accordance with DIN 16913
- Colour: RAL 7035 light grey
- Double-locking, one lock cylinder installed



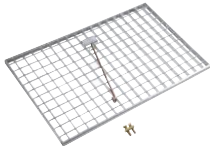
Designation	Height	Width	Depth	Sur. Cu	PU	Type	Order no.
Distribution cabinet, size 1, height 1355 mm, one door, empty enclosure	1355	780	315	-	1	SL131	93113-0000
Distribution cabinet, size 1, height 1355 mm, one door, with mounting panel PVC 1245 x 686 x 6 mm (H x W x D)	1355	780	315	-	1	SL131P	93113-0201



93835-0110

Base for distribution cabinets, size 1

Designation	Height	Width	Depth	Sur. Cu	PU	Type	Order no.
In-ground base, size 1 / 900 mm (kit)	900	780	315	-	1	SX006	93835-0110
In-ground base, size 1 / 1125 mm, flood-proofing (kit)	1125	780	315	-	1	SX031	93835-0120
Floor-mounted base, size 1 / 250 mm	250	780	315	-	1	SX015	93835-0130



93825-0271

Steel floor grid

Designation	PU	Type	Order no.
Steel floor grid kit for distribution cabinet, size 1	1	90271	93825-0271



93820-5075

Base filler

Features:

- Filler material to reduce the accumulation of condensed water in enclosures located outdoors
- Required quantity for distribution cabinet, size 1 = 3 bags

Designation	PU	Type	Order no.
Filler material to reduce the accumulation of condensed water in enclosures located outdoors. The fill height should be approx. 200 - 300 mm. 1 bag = 25 litres	1	95075	93820-5075

Busbar kit for distribution cabinets

Features:

- Tin-plated busbar surface
- Width 30 mm
- Clinch nut M12 fitted symmetrically in 100-mm grid
- Insulator bracket with mounting material

Designation	Sur. Cu	PU	Type	Order no.
Busbar kit, size 1, length 686 mm, E-Cu 3 x external-conductor busbar 30 x 6 mm (7 x M12), PEN/N bar 30 x 5 mm (8 x M12), insulator bracket and mounting material	0.497	1	DY98580S	93820-8580

Distribution cabinets in accordance with DIN EN 61439-5, size 2



93120-0000

Distribution cabinet in accordance with DIN EN 61439-5, size 2, height 845 mm

Features:

- Degree of protection: IP44
- Made of glass-fibre-reinforced polyester of type FS 833.5 in accordance with DIN 16913
- Colour: RAL 7035 light grey
- Single-locking, one lock cylinder installed

▶ Technical data, 34
Dimensional drawing, page 40
Accessories from page 24



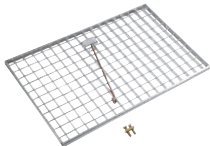
Designation	Height	Width	Depth	Sur. Cu	PU	Type	Order no.
Distribution cabinet, size 2, height 845 mm, one door, empty enclosure	845	1110	315	-	1	SL082	93120-0000
Distribution cabinet, size 2, height 845 mm, one door, with mounting panel PVC 750 x 988 x 6 mm (H x W x D)	845	1110	315	-	1	SL082P	93120-0201
Distribution cabinet, size 2, height 845 mm, one door, with busbar system (4-conductor E-Cu 30 x 8 mm), fits max. 10 installation units	845	1110	315	1.081	1	SK082GA	93120-0302
Distribution cabinet, size 2, height 845 mm, two doors, with mounting panel PVC 750 x 988 x 6 mm (H x W x D), asymmetric doors	845	1110	315	-	1	SL082V	93120-0401



93835-0210

Base for distribution cabinets, size 2

Designation	Height	Width	Depth	Sur. Cu	PU	Type	Order no.
In-ground base, size 2 / 900 mm (kit)	900	1110	315	-	1	SX007	93835-0210
In-ground base, size 2 / 1125 mm, flood-proofing (kit)	1125	1110	315	-	1	SX032	93835-0220
Floor-mounted base, size 2 / 250 mm	250	1110	315	-	1	SX016	93835-0230



93825-0272

Steel floor grid

Designation	PU	Type	Order no.
Steel floor grid kit for distribution cabinet, size 2	1	90272	93825-0272



93820-5075

Base filler

Features:

- Filler material to reduce the accumulation of condensed water in enclosures located outdoors
- Required quantity for distribution cabinet, size 2 = 3 bags

Designation	PU	Type	Order no.
Filler material to reduce the accumulation of condensed water in enclosures located outdoors. The fill height should be approx. 200 - 300 mm. 1 bag = 25 litres	1	95075	93820-5075

Busbar kit for distribution cabinets

Features:

- Tin-plated busbar surface
- Width 30 mm
- Clinch nut M12 fitted symmetrically in 100-mm grid
- Insulator bracket with mounting material

Designation	Sur. Cu	PU	Type	Order no.
Busbar kit, size 2, length 1016 mm, E-Cu 3 x external-conductor busbar 30 x 8 mm (10 x M12), PEN/N bar 30 x 6 mm (11 x M12), insulator bracket and mounting material	1.081	1	DY98581S	93820-8581

Distribution cabinets in accordance with DIN EN 61439-5, size 2



93122-0000

Distribution cabinet in accordance with DIN EN 61439-5, size 2, height 1005 mm

Features:

- Degree of protection: IP44
- Made of glass-fibre-reinforced polyester of type FS 833.5 in accordance with DIN 16913
- Colour: RAL 7035 light grey
- Double-locking, one lock cylinder installed

► Technical data, 34
Dimensional drawing, page 40
Accessories from page 24



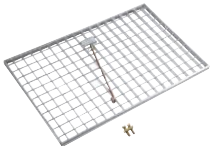
Designation	Height	Width	Depth	Sur. Cu	PU	Type	Order no.
Distribution cabinet, size 2, height 1005 mm, two doors, empty enclosure	1005	1110	315	-	1	SL102	93122-0000
Distribution cabinet, size 2, height 1005 mm, two doors, with PVC mounting panel 895 x 1016 x 6 mm (H x W x D)	1005	1110	315	-	1	SL102P	93122-0201
Distribution cabinet, size 2, height 1005 mm, two doors, with busbar system (4-conductor E-Cu 30 x 8 mm), fits max. 10 installation units	1005	1110	315	1.081	1	SK102GA	93121-0302
Distribution cabinet, size 2, height 1005 mm, two doors, with PVC mounting panel 895 x 1016 x 6 mm (H x W x D), asymmetric doors	1005	1110	315	-	1	SL102V	93122-0401



93835-0210

Base for distribution cabinets, size 2

Designation	Height	Width	Depth	Sur. Cu	PU	Type	Order no.
In-ground base, size 2 / 900 mm (kit)	900	1110	315	-	1	SX007	93835-0210
In-ground base, size 2 / 1125 mm, flood-proofing (kit)	1125	1110	315	-	1	SX032	93835-0220
Floor-mounted base, size 2 / 250 mm	250	1110	315	-	1	SX016	93835-0230
Wall bracket, size 2 with cover plate, 9 x drop-in stepped nipple grommets for cables of 50 - 185 mm ²	640	1110	315	-	1	SX013	93835-0240



93825-0272

Steel floor grid

Designation	PU	Type	Order no.
Steel floor grid kit for distribution cabinet, size 2	1	90272	93825-0272



93820-5075

Base filler

Features:

- Filler material to reduce the accumulation of condensed water in enclosures located outdoors
- Required quantity for distribution cabinet, size 2 = 3 bags

Designation	PU	Type	Order no.
Filler material to reduce the accumulation of condensed water in enclosures located outdoors. The fill height should be approx. 200 - 300 mm. 1 bag = 25 litres	1	95075	93820-5075

Busbar kit for distribution cabinets

Features:

- Tin-plated busbar surface
- Width 30 mm
- Clinch nut M12 fitted symmetrically in 100-mm grid
- Insulator bracket with mounting material

Designation	Sur. Cu	PU	Type	Order no.
Busbar kit, size 2, length 1016 mm, E-Cu 3 x external-conductor busbar 30 x 8 mm (10 x M12), PEN/N bar 30 x 6 mm (11 x M12), insulator bracket and mounting material	1.081	1	DY98581S	93820-8581

Distribution cabinets in accordance with DIN EN 61439-5, size 2



93123-0000

Distribution cabinet in accordance with DIN EN 61439-5, size 2, height 1355 mm
Features:

- Degree of protection: IP44
- Made of glass-fibre-reinforced polyester of type FS 833.5 in accordance with DIN 16913
- Colour: RAL 7035 light grey
- Double-locking, one lock cylinder installed

▶ Technical data, 34
Dimensional drawing, page 38
Accessories from page 24



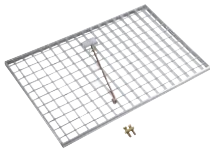
Designation	Height	Width	Depth	Sur. Cu	PU	Type	Order no.
Distribution cabinet, size 2, height 1355 mm, two doors, empty enclosure	1355	1110	315	-	1	SL132	93123-0000
Distribution cabinet, size 2, height 1355 mm, two doors, with PVC mounting panel 1245 x 988 x 6 mm (H x W x D)	1355	1110	315	-	1	SL132P	93123-0201
Distribution cabinet, size 2, height 1355 mm, two doors, with PVC mounting panel 1245 x 988 x 6 mm (H x W x D), asymmetric doors	1355	1110	315	-	1	SL132V	93123-0401



93835-0210

Base for distribution cabinets, size 2

Designation	Height	Width	Depth	Sur. Cu	PU	Type	Order no.
In-ground base, size 2 / 900 mm (kit)	900	1110	315	-	1	SX007	93835-0210
In-ground base, size 2 / 1125 mm, flood-proofing (kit)	1125	1110	315	-	1	SX032	93835-0220
Floor-mounted base, size 2 / 250 mm	250	1110	315	-	1	SX016	93835-0230



93825-0272

Steel floor grid

Designation	PU	Type	Order no.
Steel floor grid kit for distribution cabinet, size 2	1	90272	93825-0272



93820-5075

Base filler
Features:

- Filler material to reduce the accumulation of condensed water in enclosures located outdoors
- Required quantity for distribution cabinet, size 2 = 3 bags

Designation	PU	Type	Order no.
Filler material to reduce the accumulation of condensed water in enclosures located outdoors. The fill height should be approx. 200 - 300 mm. 1 bag = 25 litres	1	95075	93820-5075

Busbar kit for distribution cabinets
Features:

- Tin-plated busbar surface
- Width 30 mm
- Clinch nut M12 fitted symmetrically in 100-mm grid
- Insulator bracket with mounting material

Designation	Sur. Cu	PU	Type	Order no.
Busbar kit, size 2, length 1016 mm, E-Cu 3 x external-conductor busbar 30 x 8 mm (10 x M12), PEN/N bar 30 x 6 mm (11 x M12), insulator bracket and mounting material	1.081	1	DY98581S	93820-8581

Fairground and market square distribution cabinets, size 0, in accordance with DIN EN 61439-5, E DIN 61439-7



93102-0332

Fairground distribution cabinets in accordance with DIN EN 61439-5, size 0, height 1005 mm

▶ Technical data, 34
Dimensional drawing, page 38
Accessories from page 24

Features:

- Degree of protection: IP44
- Made of glass-fibre-reinforced polyester of type FS 833.5 in accordance with DIN 16913
- Colour: RAL 7035 light grey
- Double-locking, one lock cylinder installed
- Performance of services on request



Designation	Height	Width	Depth	Sur. Cu	PU	Type	Order no.
Distribution cabinet, size 0, fairground, height 1005 mm, one door, with busbar system (5-conductor E-Cu 30 x 6 mm), fits max. 5 installation units	1005	585	315	0.443	1	SF100A	93102-0332
Distribution cabinet, size 0, fairground, height 1430 mm, one door, with busbar system (5-conductor E-Cu 30 x 6 mm), fits max. 5 installation units, 4 cable inlets, mobile variant with pedestal	1430	585	315	0.443	1	SF100B	93102-0342



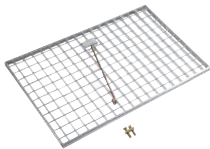
93835-1050

Base for fairground distribution cabinets, size 0

Designation	Height	Width	Depth	Sur. Cu	PU	Type	Order no.
In-ground base, fairground, size 0, with 4 cable inlets	900	585	315	-	1	SX008	93835-1050
Floor-mounted base, fairground, size 0, with 4 cable inlets	250	585	315	-	1	SX020F	93835-1055

Cover for cable outlet for bases for fairground distribution cabinets, size 0

Designation	PU	Type	Order no.
Cover for cable outlet for fairground distribution cabinet, size 0	1	47900	93820-7900



93825-0270

Steel floor grid

Designation	PU	Type	Order no.
Steel floor grid kit for distribution cabinet, size 0	1	90270	93825-0270



93820-5075

Base filler

Features:

- Filler material to reduce the accumulation of condensed water in enclosures located outdoors
- Required quantity for distribution cabinet, size 0 = 2 bags

Designation	PU	Type	Order no.
Filler material to reduce the accumulation of condensed water in enclosures located outdoors. The fill height should be approx. 200 - 300 mm. 1 bag = 25 litres	1	95075	93820-5075

Fairground and market square distribution cabinets, size 1, in accordance with DIN EN 61439-5, E DIN EN 61439-7



93112-0332

Fairground distribution cabinet in accordance with DIN EN 61439-5, size 1, height 1005 mm

Features:

- Degree of protection: IP44
- Made of glass-fibre-reinforced polyester of type FS 833.5 in accordance with DIN 16913
- Colour: RAL 7035 light grey
- Double-locking, one lock cylinder installed
- Performance of services on request

▶ Technical data, 34
Dimensional drawing, page 38
Accessories from page 24

Designation	Height	Width	Depth	Sur. Cu	PU	Type	Order no.
Distribution cabinet, size 1, fairground, height 1005 mm, one door, with busbar system (5-conductor E-Cu 30 x 6 mm), fits max. 7 installation units	1005	780	315	0.593	1	SF101A	93112-0332
Distribution cabinet, size 1, fairground, height 1430 mm, one door, with busbar system (5-conductor E-Cu 30 x 6 mm), fits max. 7 installation units, 6 cable inlets, mobile variant with pedestal	1430	780	315	0.593	1	SF101B	93112-0342



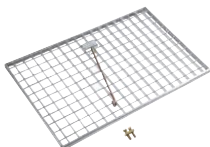
93835-0150

Base for fairground distribution cabinets, size 1

Designation	Height	Width	Depth	Sur. Cu	PU	Type	Order no.
In-ground base, fairground, size 1, with 6 cable inlets	900	780	315	-	1	SX009	93835-0150
Floor-mounted base, fairground, size 1, with 6 cable inlets	250	780	315	-	1	SX021F	93835-0155

Cover for cable outlet for bases for fairground distribution cabinets, size 1

Designation	PU	Type	Order no.
Cover for cable outlet, size 1, fairground	1	47901	93820-7901



93825-0271

Steel floor grid

Designation	PU	Type	Order no.
Steel floor grid kit for distribution cabinet, size 1	1	90271	93825-0271



93820-5075

Base filler

Features:

- Filler material to reduce the accumulation of condensed water in enclosures located outdoors
- Required quantity for distribution cabinet, size 1 = 3 bags

Designation	PU	Type	Order no.
Filler material to reduce the accumulation of condensed water in enclosures located outdoors. The fill height should be approx. 200 - 300 mm. 1 bag = 25 litres	1	95075	93820-5075

Fairground and market square distribution cabinets, size 2, in accordance with DIN EN 61439-5, E DIN EN 61439-7



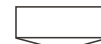
93122-0332

Fairground distribution cabinet in accordance with DIN EN 61439-5, size 2, height 1005 mm

► Technical data, 34
Dimensional drawing, page 40
Accessories from page 24

Features:

- Degree of protection: IP44
- Made of glass-fibre-reinforced polyester of type FS 833.5 in accordance with DIN 16913
- Colour: RAL 7035 light grey
- Double-locking, one lock cylinder installed
- Performance of services on request



Designation	Height	Width	Depth	Sur. Cu	PU	Type	Order no.
Distribution cabinet, size 2, fairground, height 1005 mm, two doors, with busbar system (5-conductor E-Cu 30 x 8 mm), fits max. 10 installation units	1005	1110	315	1.331	1	SF102A	93122-0332
Distribution cabinet, size 2, fairground, height 1430 mm, two doors, with busbar system (5-conductor E-Cu 30 x 8 mm), fits max. 10 installation units, 6 cable inlets, mobile variant with pedestal	1430	1110	315	1.331	1	SF102B	93122-0342



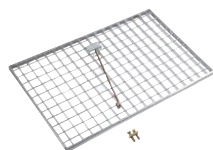
93835-0250

Base for fairground distribution cabinets, size 2

Designation	Height	Width	Depth	Sur. Cu	PU	Type	Order no.
In-ground base, fairground, size 2, with 9 cable inlets	900	1110	315	-	1	SX010	93835-0250
Floor-mounted base, fairground, size 2, with 9 cable inlets	250	1110	315	-	1	SX022F	93835-0255

Cover for cable outlet for bases for fairground distribution cabinets, size 2

Designation	PU	Type	Order no.
Cover for cable outlet, size 2, fairground	1	47902	93820-7902



93825-0272

Steel floor grid

Designation	PU	Type	Order no.
Steel floor grid kit for distribution cabinet, size 2	1	90272	93825-0272



93820-5075

Base filler

Features:

- Filler material to reduce the accumulation of condensed water in enclosures located outdoors
- Required quantity for distribution cabinet, size 2 = 3 bags

Designation	PU	Type	Order no.
Filler material to reduce the accumulation of condensed water in enclosures located outdoors. The fill height should be approx. 200 - 300 mm. 1 bag = 25 litres	1	95075	93820-5075

Distribution pillars



93260-0010

Distribution pillar, height 1420 mm, degree of protection IP44

Features:

- Made of glass-fibre-reinforced polyester of type FS 833.5 in accordance with DIN 16913
- Colour: RAL 7035 light grey
- Plug-in door
- Single-locking

► Technical data, 42
Dimensional drawing, page 43
Accessories from page 25

Designation	Height	Width	Depth	Sur. Cu	PU	Type	Order no.
Distribution pillar 142, height 1420 mm, flat design	1420	320	225	-	1	SL142	93260-0010
Distribution pillar 142, height 1420 mm, flat design, with mounting panel PVC 600 x 276 x 6 mm (H x W x D)	1420	320	225	-	1	SL142P	93260-0211
Distribution pillar 142, height 1420 mm, flat design, with busbar system (4-conductor E-Cu 30 x 5 mm), max. 2 installation units	1420	320	225	0.142	1	SK142H	93260-0312



93262-0010

Distribution pillar, height 1560 mm, degree of protection IP44

Features:

- Made of glass-fibre-reinforced polyester of type FS 833.5 in accordance with DIN 16913
- Colour: RAL 7035 light grey
- Empty pillars and variant with mounting panel = double locking, one lock cylinder installed
- Distribution pillar with busbar = single-locking

► Technical data, 44
Dimensional drawing, page 45
Accessories from page 25

Designation	Height	Width	Depth	Sur. Cu	PU	Type	Order no.
Distribution pillar 152, height 1560 mm	1560	361	277	-	1	SL152	93262-0010
Distribution pillar 152, height 1560 mm, flat design, with mounting panel PVC 700 x 278 x 6 mm (H x W x D)	1560	361	277	-	1	SL152P	93262-0211
Distribution pillar 152, height 1560 mm, flat design, with busbar system (4-conductor E-Cu 30 x 6 mm), max. 2 installation units	1560	361	277	0.142	1	SK152A	93262-0312



93270-0010

Distribution pillar, height 1560 mm, degree of protection IP44

Features:

- Made of glass-fibre-reinforced polyester of type FS 833.5 in accordance with DIN 16913
- Colour: RAL 7035 light grey
- Empty pillars and variant with mounting panel = double locking, one lock cylinder installed
- Distribution pillar with busbar = single-locking

► Technical data, 44
Dimensional drawing, page 45
Accessories from page 25

Designation	Height	Width	Depth	Sur. Cu	PU	Type	Order no.
Distribution pillar 155, height 1560 mm	1560	583	277	-	1	SL155	93270-0010
Distribution pillar 155, height 1560 mm, with PVC mounting panel 700 x 500 x 6 mm (H x W x D)	1560	583	277	-	1	SL155P	93270-0211
Distribution pillar 155, height 1560 mm, with busbar system (4-conductor E-Cu 30 x 6 mm), fits max. 4 installation units	1560	583	277	0.249	1	SK155A	93270-0312

Distribution pillars



93280-0010

Distribution pillar, height 1560 mm, degree of protection IP44

► Technical data, 44
Dimensional drawing, page 45
Accessories from page 25

Features:

- Made of glass-fibre-reinforced polyester of type FS 833.5 in accordance with DIN 16913
- Colour: RAL 7035 light grey
- Empty pillars and variant with mounting panel = double locking, one lock cylinder installed
- Distribution pillar with busbar = single-locking

Designation	Height	Width	Depth	Sur. Cu	PU	Type	Order no.
Distribution pillar 157, height 1560 mm	1560	839	277	-	1	SL157	93280-0010
Distribution pillar 157, height 1560 mm, with PVC mounting panel 755.5 x 756 x 6 mm (H x W x D)	1560	839	277	-	1	SL157P	93280-0211
Distribution pillar 157, height 1560 mm, with busbar system (4-conductor E-Cu 30 x 6 mm), fits max. 7 installation units	1560	839	277	0.497	1	SK157A	93280-0312



93261-0010

Distribution pillar, height 1595 mm, degree of protection IP44

► Technical data, 42
Dimensional drawing, page 43
Accessories from page 25

Features:

- Made of glass-fibre-reinforced polyester of type FS 833.5 in accordance with DIN 16913
- Colour: RAL 7035 light grey
- Plug-in door
- Single-locking

Designation	Height	Width	Depth	Sur. Cu	PU	Type	Order no.
Distribution pillar 162, height 1595 mm, flat design	1595	320	225	-	1	SL162	93261-0010
Distribution pillar 162, height 1595 mm, flat design, with mounting panel PVC 800 x 276 x 6 mm (H x W x D)	1595	320	225	-	1	SL162P	93261-0211
Distribution pillar 162, height 1595 mm, flat design, with busbar system (4-conductor E-Cu 30 x 5 mm), max. 2 installation units	1595	320	225	0.142	1	SK162H	93261-0312



93263-0010

Distribution pillar, height 1710 mm, degree of protection IP44

► Technical data, 44
Dimensional drawing, page 45
Accessories from page 25

Features:

- Made of glass-fibre-reinforced polyester of type FS 833.5 in accordance with DIN 16913
- Colour: RAL 7035 light grey
- Empty pillars and variant with mounting panel = double locking, one lock cylinder installed
- Distribution pillar with busbar = single-locking

Designation	Height	Width	Depth	Sur. Cu	PU	Type	Order no.
Distribution pillar 172, height 1710 mm	1710	361	277	-	1	SL172	93263-0010
Distribution pillar 172, height 1710 mm, with PVC mounting panel 850 x 278 x 6 mm (H x W x D)	1710	361	277	-	1	SL172P	93263-0211
Distribution pillar 172, height 1710 mm, with busbar system (4-conductor E-Cu 30 x 6 mm), fits max. 2 installation units	1710	361	277	0.142	1	SK172A	93263-0312

Distribution pillars



93271-0010

Distribution pillar, height 1710 mm, degree of protection IP44

▶ Technical data, 44
Dimensional drawing, page 45
Accessories from page 25

Features:

- Made of glass-fibre-reinforced polyester of type FS 833.5 in accordance with DIN 16913
- Colour: RAL 7035 light grey
- Empty pillars and variant with mounting panel = double locking, one lock cylinder installed
- Distribution pillar with busbar = single-locking

Designation	Height	Width	Depth	Sur. Cu	PU	Type	Order no.
Distribution pillar 175, height 1710 mm	1710	583	277	-	1	SL175	93271-0010
Distribution pillar 175, height 1710 mm, with PVC mounting panel 850 x 500 x 6 mm (H x W x D)	1710	583	277	-	1	SL175P	93271-0211
Distribution pillar 175, height 1710 mm, with busbar system (4-conductor E-Cu 30 x 6 mm), fits max. 4 installation units	1710	583	277	0.322	1	SK175A	93271-0312



93281-0010

Distribution pillar, height 1710 mm, degree of protection IP44

▶ Technical data, 44
Dimensional drawing, page 45
Accessories from page 25

Features:

- Made of glass-fibre-reinforced polyester of type FS 833.5 in accordance with DIN 16913
- Colour: RAL 7035 light grey
- Empty pillars and variant with mounting panel = double locking, one lock cylinder installed
- Distribution pillar with busbar = single-locking

Designation	Height	Width	Depth	Sur. Cu	PU	Type	Order no.
Distribution pillar 177, height 1710 mm	1710	839	277	-	1	SL177	93281-0010
Distribution pillar 177, height 1710 mm, with PVC mounting panel 850 x 756 x 6 mm (H x W x D)	1710	839	277	-	1	SL177P	93281-0211
Distribution pillar 177, height 1710 mm, with busbar system (4-conductor E-Cu 30 x 6 mm), fits max. 7 installation units	1710	839	277	0.497	1	SK177A	93281-0312



93264-0010

Distribution pillar, height 2010 mm, degree of protection IP44

▶ Technical data, 44
Dimensional drawing, page 45
Accessories from page 25

Features:

- Made of glass-fibre-reinforced polyester of type FS 833.5 in accordance with DIN 16913
- Colour: RAL 7035 light grey
- Empty pillars and variant with mounting panel = double locking, one lock cylinder installed
- Distribution pillar with busbar = single-locking

Designation	Height	Width	Depth	Sur. Cu	PU	Type	Order no.
Distribution pillar 202, height 2010 mm	2010	361	277	-	1	SL202	93264-0010
Distribution pillar 202, height 2010 mm, with PVC mounting panel 1000 x 278 x 6 mm (H x W x D)	2010	361	277	-	1	SL202P	93264-0211
Distribution pillar 202, height 2010 mm, with busbar system (4-conductor E-Cu 30 x 6 mm), fits max. 2 installation units	2010	361	277	0.142	1	SK202A	93264-0312

Distribution pillars



93272-0010

Distribution pillar, height 2010 mm, degree of protection IP44

► Technical data, 44
Dimensional drawing, page 45
Accessories from page 25

Features:

- Made of glass-fibre-reinforced polyester of type FS 833.5 in accordance with DIN 16913
- Colour: RAL 7035 light grey
- Empty pillars and variant with mounting panel = double locking, one lock cylinder installed
- Distribution pillar with busbar = single-locking

Designation	Height	Width	Depth	Sur. Cu	PU	Type	Order no.
Distribution pillar 205, height 2010 mm	2010	583	277	-	1	SL205	93272-0010
Distribution pillar 205, height 2010 mm, with PVC mounting panel 1000 x 500 x 6 mm (H x W x D)	2010	583	277	-	1	SL205P	93272-0211
Distribution pillar 205, height 2010 mm, with busbar system (4-conductor E-Cu 30 x 6 mm), fits max. 4 installation units	2010	583	277	0.322	1	SK205A	93272-0312



93282-0010

Distribution pillar, height 2010 mm, degree of protection IP44

► Technical data, 44
Dimensional drawing, page 45
Accessories from page 25

Features:

- Made of glass-fibre-reinforced polyester of type FS 833.5 in accordance with DIN 16913
- Colour: RAL 7035 light grey
- Empty pillars and variant with mounting panel = double locking, one lock cylinder installed
- Distribution pillar with busbar = single-locking

Designation	Height	Width	Depth	Sur. Cu	PU	Type	Order no.
Distribution pillar 207, height 2010 mm	2010	839	277	-	1	SL207	93282-0010
Distribution pillar 207, height 2010 mm, with PVC mounting panel 1000 x 756 x 6 mm (H x W x D)	2010	839	277	-	1	SL207P	93282-0211
Distribution pillar 207, height 2010 mm, with busbar system (4-conductor E-Cu 30 x 6 mm), fits max. 7 installation units	2010	839	277	0.497	1	SK207A	93282-0312

Accessories for distribution cabinets

Accessories for assembly



93835-0010

Base for distribution cabinets, size 00 and 0

Designation	Height	Width	Depth	Sur. Cu	PU	Type	Order no.
In-ground base, size 00 / 900 mm (kit)	900	480	315	-	1	SX004	93835-0010
In-ground base, size 0 / 900 mm (kit)	900	585	315	-	1	SX005	93810-1010
In-ground base, size 0 / 1125 mm, flood-proofing (kit)	1125	585	315	-	1	SX030	93835-1020
Floor-mounted base, size 0 / 250 mm	250	585	315	-	1	SX014	93835-1030
Wall bracket, size 0 with cover plate, 4 x drop-in stepped nipple grommets for cables of 50 - 185 mm ²	640	585	315	-	1	SX011	93835-1040
In-ground base, fairground, size 0, with 4 cable inlets	900	585	315	-	1	SX008	93835-1050
Floor-mounted base, fairground, size 0, with 4 cable inlets	250	585	315	-	1	SX020F	93835-1055



93835-0110

Base for distribution cabinets, size 1

Designation	Height	Width	Depth	Sur. Cu	PU	Type	Order no.
In-ground base, size 1 / 900 mm (kit)	900	780	315	-	1	SX006	93835-0110
In-ground base, size 1 / 1125 mm, flood-proofing (kit)	1125	780	315	-	1	SX031	93835-0120
Floor-mounted base, size 1 / 250 mm	250	780	315	-	1	SX015	93835-0130
Wall bracket, size 1 with cover plate, 6 x drop-in stepped nipple grommets for cables of 50 - 185 mm ²	640	780	315	-	1	SX012	93835-0140
In-ground base, fairground, size 1, with 6 cable inlets	900	780	315	-	1	SX009	93835-0150
Floor-mounted base, fairground, size 1, with 6 cable inlets	250	780	315	-	1	SX021F	93835-0155



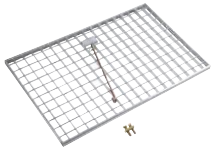
93835-0210

Base for distribution cabinets, size 2

Designation	Height	Width	Depth	Sur. Cu	PU	Type	Order no.
In-ground base, size 2 / 900 mm (kit)	900	1110	315	-	1	SX007	93835-0210
In-ground base, size 2 / 1125 mm, flood-proofing (kit)	1125	1110	315	-	1	SX032	93835-0220
Floor-mounted base, size 2 / 250 mm	250	1110	315	-	1	SX016	93835-0230
Wall bracket, size 2 with cover plate, 9 x drop-in stepped nipple grommets for cables of 50 - 185 mm ²	640	1110	315	-	1	SX013	93835-0240
In-ground base, fairground, size 2, with 9 cable inlets	900	1110	315	-	1	SX010	93835-0250
Floor-mounted base, fairground, size 2, with 9 cable inlets	250	1110	315	-	1	SX022F	93835-0255

Accessories for distribution cabinets and distribution pillars

Accessories for assembly



93825-9756

Steel floor grid

Designation	PU	Type	Order no.
Steel floor grid kit VS 142/162	1	90266	93825-0266
Steel floor grid kit for distribution cabinet, size 00	1	90269	93825-0269
Steel floor grid kit for distribution cabinet, size 0	1	90270	93825-0270
Steel floor grid kit for distribution cabinet, size 1	1	90271	93825-0271
Steel floor grid kit for distribution cabinet, size 2	1	90272	93825-0272
Steel floor grid kit VS 152/172/202	1	90273	93825-0273
Steel floor grid kit VS 155/175/205	1	90274	93825-0274
Steel floor grid kit VS 157/177/207	1	90275	93825-0275



93820-5075

Base filler

Features:

Filler material to reduce the accumulation of condensed water in enclosures located outdoors.

Designation	PU	Type	Order no.
Filler material to reduce the accumulation of condensed water in enclosures located outdoors. The fill height should be approx. 200 - 300 mm. 1 bag = 25 litres	1	95075	93820-5075

distribution cabinet 154 Flat = 1 bag
 Distribution cabinet, size 00 and 0 = 2 bags
 Distribution cabinet, size 1 and 2 = 3 bags

Distribution pillar
 115, 135, 142, 152, 153, 154, 162, 172, 173, 202 = 1 bag
 Distribution pillar 155, 175, 176, 205 = 2 bags
 Distribution pillar 157, 177, 207 = 3 bags

Accessories for assembly

Busbar kit for distribution cabinets

Features:

- Tin-plated busbar surface
- Width 30 mm
- Clinch nut M12 fitted symmetrically in 100-mm grid
- Insulator bracket with mounting material

Designation	Sur. Cu	PU	Type	Order no.
Busbar kit, size 00, length 386 mm, E-Cu 3 x external-conductor busbar 30 x 6 mm (4 x M12), PEN/N bar 30 x 5 mm (5 x M12), insulator bracket and mounting material	0.249	1	DY98570S	93820-8570
Busbar kit, size 0, length 491 mm, E-Cu 3 x external-conductor busbar 30 x 6 mm (5 x M12), PEN/N bar 30 x 5 mm (6 x M12), insulator bracket and mounting material	0.355	1	DY98579S	93820-8579
Busbar kit, size 1, length 686 mm, E-Cu 3 x external-conductor busbar 30 x 6 mm (7 x M12), PEN/N bar 30 x 5 mm (8 x M12), insulator bracket and mounting material	0.497	1	DY98580S	93820-8580
Busbar kit, size 2, length 1016 mm, E-Cu 3 x external-conductor busbar 30 x 8 mm (10 x M12), PEN/N bar 30 x 6 mm (11 x M12), insulator bracket and mounting material	1.081	1	DY98581S	93820-8581

Terminals with terminal bolt M12 x 55

Features:

- 50 mm² re / 35 - 70 mm² rm / 50 - 185 mm² se / 35 - 150 mm² sm
- Torque 40 Nm
- For further terminal variants see **EFEN catalogue, NZ accessories**

Designation	PU	Type	Order no.
Terminal clamp with terminal bolt M12 x 55	1	44630	Please inquire
Terminal double clamp with terminal bolt M12 x 55	1	44631	Please inquire



93820-5924

Distribution cabinet lighting 15 W

Features:

- Cannot be used in flat-design enclosures.

Designation	PU	Type	Order no.
Distribution cabinet lighting with switch and Schuko socket, 10 A	1	75924	93820-5924

Accessories for assembly



93820-0138

Safety cover

Features:

- Various accessories to increase protection against contact

Designation	PU	Type	Order no.
Safety cover for busbars with symmetric bores, 102 x 560 mm (W x H) for distribution cabinets and pillars	1	47930	93820-7930
Safety cover for busbars used with V-type feed clamps 100 x 560 mm (W x H) for distribution cabinets and pillars	1	60138	93820-0138
Cover for lateral construction-site connection Ø 55 mm	1	49626	93820-9626
Retrofit kit, size 00 to increase protection against contact of distribution cabinets from IP43 to IP44	1	95124	93808-0000
Retrofit kit, size 0 to increase protection against contact of distribution cabinets from IP43 to IP44	1	95125	93808-0010
Retrofit kit, size 1 to increase protection against contact of distribution cabinets from IP43 to IP44	1	95126	93808-0020
Retrofit kit, size 2 to increase protection against contact of distribution cabinets from IP43 to IP44	1	95127	93808-0030

For NH fuse-rails and NH fuse-switches refer to the EFEN catalogue.
Performance of services on request

Accessories for distribution cabinets and distribution pillars



93820-0994



93820-5517

Accessories for assembly

Designation	PU	Type	Order no.
Double-locking, complete without lock cylinder, standard	1	78842	93820-8842
Locking system, lock cylinder 40 mm, with 2 keys	1	50994	93820-0994
Circuit diagram pocket, DIN A4, adhesive, RAL 7035	1	55696	93820-5693
Circuit diagram pocket, DIN A5, adhesive, RAL 7035	1	55593	93820-5593
Cabinet heating 33W, thermostatically controlled	1	55517	93820-5517
Door opening limiter for distribution cabinets, size 00 - 2, limits door opening angle to approx. 110°	1	69846	93820-9846
Auxiliary fuse holder for NH fuse-links 3 x NH2	1	95038	93820-5038

Mounting panels for distribution pillars



93840-1420

Mounting panels for distribution pillars

► Dimensional drawing, page 30

Features:

- Mounting panels made of PVC
- Selection table, page 34

Designation	Height	Width	Depth	PU	Type	Order no.
Mounting panel for VS 142 PVC 600 x 276 x 6	600	276	6	1	SY47433M	93840-1420
Mounting panel for VS 162 PVC 800 x 276 x 6	800	276	6	1	SY47434M	93840-1620
Mounting panel for VS 152 PVC 700 x 278 x 6	700	500	6	1	SY79271M	93840-1520
Mounting panel for VS 155 PVC 700 x 500 x 6	700	500	6	1	SY79272M	93840-1550
Mounting panel for VS 157 PVC 700 x 756 x 6	700	756	6	1	SY79273M	93840-1570
Mounting panel for VS 172 PVC 850 x 278 x 6	850	278	6	1	SY79269M	93840-1720
Mounting panel for VS 175 PVC 850 x 500 x 6	850	500	6	1	SY47435M	93840-1750
Mounting panel for VS 177 PVC 850 x 756 x 6	850	756	6	1	SY79270M	93840-1770
Mounting panel for VS 202 PVC 1000 x 278 x 6	1000	278	6	1	SY79267M	93840-2020
Mounting panel for VS 205 PVC 1000 x 500 x 6	1000	500	6	1	SY47436M	93840-2050
Mounting panel for VS 207 PVC 1000 x 756 x 6	1000	756	6	1	SY79268M	93840-2070



93850-1540

Mounting kits for distribution pillars

Designation	PU	Type	Order no.
Mounting kit for VS 142/162 with membrane flange in inlet	1	SY41TA	93850-1420
Mounting kit VS 162 with membrane flange	1	SY51T	93850-0051
Mounting kit for VS 155/175 with membrane flange in inlet	1	SY52T	93850-1540
Mounting kit for VS 157/177 with membrane flange in inlet	1	SY53T	93850-1570
Mounting kit for VS 202 with membrane flange in inlet	1	SY61T	93850-2020
Mounting kit for VS 205 with membrane flange in inlet	1	SY62T	93850-2040
Mounting kit for VS 207 with membrane flange in inlet	1	SY63T	93850-2070

Accessories for distribution cabinets and distribution pillars



Application example

Installation fields for distribution pillars

► Technical data, 30
Dimensional drawing, page 30

Designation	Height	Width	Depth	Sur. Cu	PU	Type	Order no.
Installation field 142/162 for rail-mounted devices, width 250 mm, rail spacing 150 mm	600	250	0	-	1	DE0414	93845-0419
Installation field 142/162 for rail-mounted devices and terminal, width 250 mm, rail spacing 150 mm	600	250	0	-	1	DE0413	93845-0413
Installation field for mounting panel 142/162 on underground angle, width 250 mm	600	250	0	-	1	DE0410M	93845-0410
Installation field 142/162 for rail-mounted devices, terminals and 2 x NH circuit breaker, size 00, width 250 mm, rail spacing 150 mm	600	250	0	-	1	DE0411TA	93845-0411
Installation field 142/162 for NH circuit breaker, size 1, width 250 mm, rail spacing 150 mm	750	250	100	-	1	DE0410TB	93845-0412
Installation field 152 - 177 for rail-mounted devices, width 250 mm, rail spacing 150 mm	750	250	100	-	1	DE0515	93845-0515
Installation field 152 - 177 for rail-mounted devices, width 500 mm, rail spacing 150 mm	750	500	130	-	1	DE0525	93845-0525
Installation field 152 - 177 f or rail-mounted devices and terminals, width 250 mm, rail spacing 150 mm	750	250	100	-	1	DE0513	93845-0513
Installation field 152 - 177 for rail-mounted devices and terminals, width 500 mm, rail spacing 150 mm	750	500	130	-	1	DE0523	93845-0523
Installation field for mounting panel 152 - 177 on underground angle, width 250 mm	750	250	0	-	1	DE0510M	93845-0510
Installation field for mounting panel 152 - 177 on underground angle, width 500 mm	750	500	130	-	1	DE0520M	93845-0520
Installation field 152 - 177 for rail-mounted devices, terminals and 2 x NH circuit breaker, size 00, width 250 mm, rail spacing 150 mm	750	250	0	-	1	DE0511TA	93845-0511
Installation field 152 - 177 for NH circuit breaker, size 1, width 250 mm, rail spacing 150 mm	750	250	0	-	1	DE0510TB	93845-0512
Installation field 202 - 207 for rail-mounted devices, width 250 mm, rail spacing 150 mm	900	250	130	-	1	DE0616	93845-0616
Installation field 202 - 207 for rail-mounted devices, width 500 mm, rail spacing 150 mm	900	500	130	-	1	DE0626	93845-0626
Installation field 202 - 207 f or rail-mounted devices and terminals, width 250 mm, rail spacing 150 mm	900	250	130	-	1	DE0614	93845-0614
Installation field 202 - 207 for rail-mounted devices and terminals, width 500 mm, rail spacing 150 mm	900	500	130	-	1	DE0624	93845-0624
Installation field for mounting panel 202 - 207 on underground angle, width 250 mm	900	250	130	-	1	DE0610M	93845-0610
Installation field for mounting panel 202 - 207 on underground angle, width 500 mm	900	500	130	-	1	DE0620M	93845-0620
Installation field 202 - 207 for rail-mounted installation devices, ter- minals and 2 x NH circuit breaker, size 00, width 250 mm, rail spacing 150 mm	900	250	130	-	1	DE0614TA	93845-0618
Installation field 202 - 207 for NH circuit breaker, size 1, width 250 mm, rail spacing 150 mm	900	250	0	-	1	DE0613TB	93845-0613

Distribution pillars - selection aid

Overview of empty pillars, mounting panels, mounting kits, installation fields

Distribution pillars

Assembly with mounting panel: Empty pillar + mounting panel

Assembly with installation fields: Empty pillar + mounting kit + installation field

Overview of empty pillars

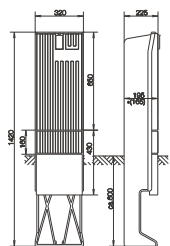
xxxxx-0211 with PVC mounting panel installed

Mounting panels

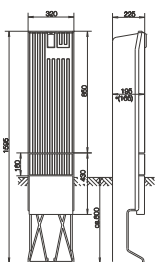
made self-extinguishing plastic for various assembly options, 6 mm thickness

for individual assembly

93260-0010 / 93260-0211
Series 142



93261-0010 / 93261-0211
Series 162



93840-1420
for SL142



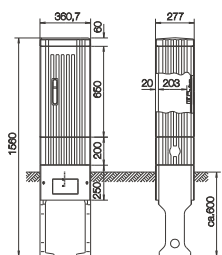
Dimensions:
600 x 276 mm

93840-1620
for SL162

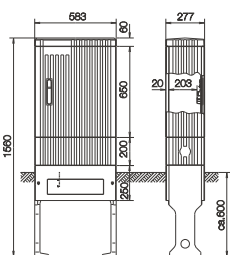


Dimensions:
800 x 276 mm

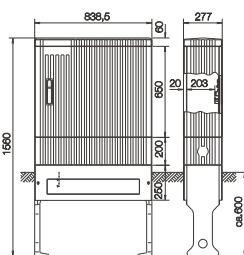
93262-0010 / 93262-0211
Series 152



93270-0010 / 93270-0211
Series 155



93280-0010 / 93280-0211
Series 157



93840-1520
for SL152



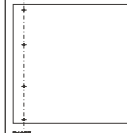
Dimensions:
700 x 278 mm

93840-1550
for SL155



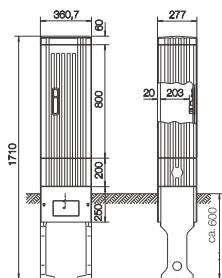
Dimensions:
700 x 500 mm

93840-1570
for SL157

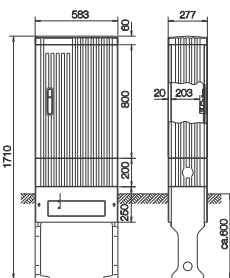


Dimensions:
755.5 x 756 mm

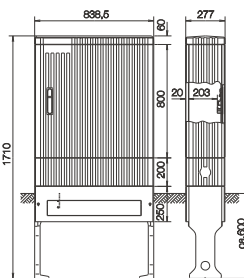
93263-0010 / 93263-0211
Series 172



93271-0010 / 93271-0211
Series 175



93281-0010 / 93281-0211
Series 177



93840-1720
for SL172



Dimensions:
850 x 278 mm

93840-1750
for SL175



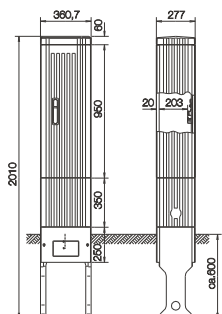
Dimensions:
850 x 500 mm

93840-1770
for SL177

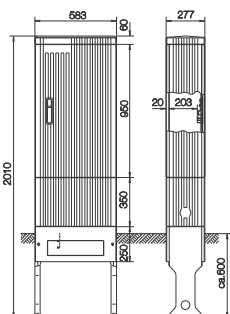


Dimensions:
850 x 756 mm

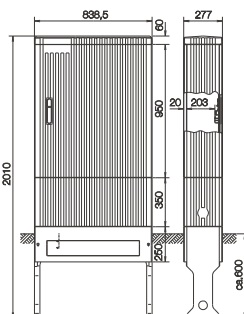
93264-0010 / 93264-0211
Series 202



93272-0010 / 93272-0211
Series 205



93282-0010 / 93282-0211
Series 207



93840-2020
for SL202



Dimensions:
1000 x 278 mm

93840-2050
for SL205



Dimensions:
1000 x 500 mm

93840-2070
for SL207






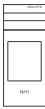



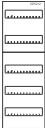
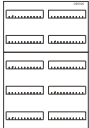



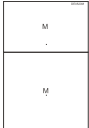
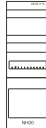





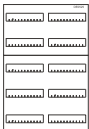


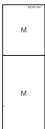
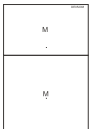
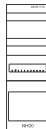



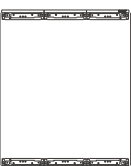

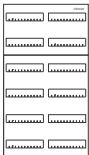



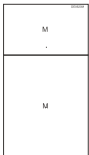




Dimensions:
1000 x 756 mm

**Mounting kits
with membrane flange in inlet.**
For further flanges see section
Accessories

Installation fields for rail spacing 150 mm

For installation in all empty pillars. Without N- and PE bars. Distribution fields, built in accordance with IEC 439-3 / EN 60439-3 / DIN VDE 0660 part 504 / DIN VDE 43880. Circuit breaker fields are prepared for the installation of horizontal-design NH fuse-switches. Use matching covers.

			for rail-mounted devices		for rail-mounted devices and terminals		for mounting panels on underground angles with contact protection		for REG, terminals and 2 NH fuse-switches size 00	for NH fuse-switches size 1			
			250 mm	500 mm	250 mm	500 mm	250 mm	500 mm	250 mm	500 mm			
93850-1420 for SL142/162					93845-0419 	93845-0413 	93845-0410 		93845-0411 	93845-0412 			
					48 REG	48 REG	48 REG		48 REG	48 REG			
93820-0051 for SL152	93850-1540 for SL155	93850-1570 for SL157				93845-0515 	93845-0525 	93845-0513 	93845-0523 	93845-0510 	93845-0520 	93845-0511 	93845-0512 
					60 REG	120 REG	60 REG	120 REG	60 REG	120 REG	60 REG	60 REG	60 REG
93845-0051 for SL172	93850-1540 for SL175	93850-1570 for SL177				93845-0515 	93845-0525 	93845-0513 	93845-0523 	93845-0510 	93845-0520 	93845-0511 	93845-0512 
					60 REG	120 REG	60 REG	120 REG	60 REG	120 REG	60 REG	60 REG	60 REG
93850-2020 for SL202	93850-2040 for SL205	93850-2070 for SL207				93845-0616 	93845-0626 	93845-0614 	93845-0624 	93845-0610 	93845-0620 	93845-0618 	93845-0613 
					72 REG	144 REG	72 REG	144 REG	72 REG	144 REG	72 REG	72 REG	72 REG

Distribution cabinets, flat design

System description

Type:

Degree of protection: IP44

Material:

Glass-fibre-reinforced polyester of type FS 833.5 in accordance with DIN 16913

Colour:

RAL 7035 light grey

Dimensions:

See dimensional drawing

Locking:

Single-locking

Base:

Cable mounting rail made of angled steel 40x40x3 mm

Installations (upon request):

- Mounting panel
- NH fuse-rails, size 2
- Vertical-design NH fuse-switches, size 00

Benefits:

- Extremely low-profiled outer dimension of only 220 mm
- Installation depth of 190 mm in accordance with the standard dimension specified in DIN 43629
- Entire installation depth can be used thanks to innovative locking system, patent DE 3903118 C2
- Modern, corrugated design
- Cabinet parts can be painted upon request
- Hinged door with 3 latches, hinged on left-hand or right-hand side
- Optimised breaking point to prevent avoidable earthwork

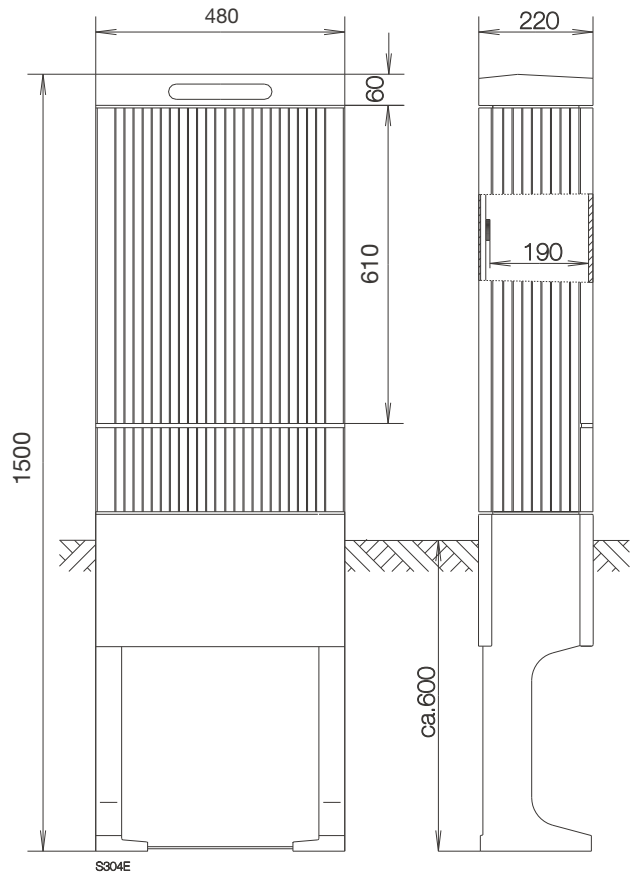
Note:

It is recommended to fit safety covers to distribution cabinets equipped with busbar systems with unused installation spaces.

Distribution cabinets, flat design

Dimensional drawings

Series 154: 93191-0000, 93191-0201



Distribution cabinets, size 00, 0, 1, 2

System description

Type:

Degree of protection: IP44
Glass-fibre-reinforced polyester of type FS 833.5 in accordance with DIN 16913
The cabinets comply with DIN EN 61439-5

Colour:

RAL 7035 light grey

Dimensions:

Distribution cabinet in accordance with DIN 43629
Distribution cabinet, size 0/845 - 845x585x315 mm (HxWxD)
Distribution cabinet, size 1/845 - 845x780x315 mm (HxWxD)
Distribution cabinet, size 2/845 - 845x1110x315 mm (HxWxD)

Distribution cabinet in accordance with DIN 43629, part 1
Distribution cabinet, size 0/1005- 1005x585x315 mm (HxWxD)
Distribution cabinet, size 0/1355- 1355x585x315 mm (HxWxD)
Distribution cabinet, size 1/1005- 1005x780x315 mm (HxWxD)
Distribution cabinet, size 1/1355- 1355x780x315 mm (HxWxD)
Distribution cabinet, size 2/1005- 1005/x1110x315 mm (HxWxD)
Distribution cabinet, size 2/1355- 1355/x1110x315 mm (HxWxD)

Distribution cabinet
Distribution cabinet, size 00/845 - width 480/height 845/depth 315 mm

Locking:

- 3-point espagnolette lock
- Double-locking, one lock cylinder installed

Base:

- Lateral opening for 55-mm construction-site connection that can be closed from inside
- Cable mounting rail made of angled steel, 40 x 40 x 3 mm for bracket clamps
- Breaking point between cabinet and base prevents avoidable earthwork
- The fairground base can be used instead of the polyester base as an alternative

Enclosure:

- Modern, corrugated design
- Easy replacement of defective enclosure parts
- Recyclable as enclosure contains no press-fitted metal parts

Doors:

- 180° for stand-alone units, 90° for cabinets located side-by-side
- Doors are easy to install and remove to and from hinges
- Door hinges can be located on either side
- Cabinets of size 2 can be fitted with doors locking independently of each other (on request)

Ventilation:

Labyrinth-shaped ventilation ducts ensure air flow through the enclosure, preventing the ingress of foreign objects and poking.

Foundation:

- In order to avoid dew inside the enclosure, it is recommended to fill the foundation up to the level of the cable mounting rail after assembly.
- Use base filler (25-l bag, 93820-5075), recommended fill height is 200 - 300 mm.
Quantity required: for distribution cabinet, size 00, size 0 = 2 bags for distribution cabinet, size 1, size 2 = 3 bags

Distribution cabinet with asymmetric doors:

All distribution cabinets with asymmetric doors are fitted with a PVC mounting panel with partition wall. Left door and right door are fitted with double locking with a lock cylinder. A second cylinder can be added.

Cabinet type	Order no.	Door aperture W x H (mm)	
		left	right
SL 081 V	93110-0401	286 x 740	416 x 740
SL 082 V	93120-0401	274 x 740	757 x 740
SL 101 V	93112-0401	286 x 900	416 x 900
SL 102 V	93122-0401	274 x 900	757 x 900
SL 131 V	93113-0401	286 x 1250	416 x 1250
SL 132 V	93123-0401	274 x 1250	757 x 1250

Note:

It is recommended to fit safety covers to distribution cabinets equipped with busbar systems with unused installation spaces.

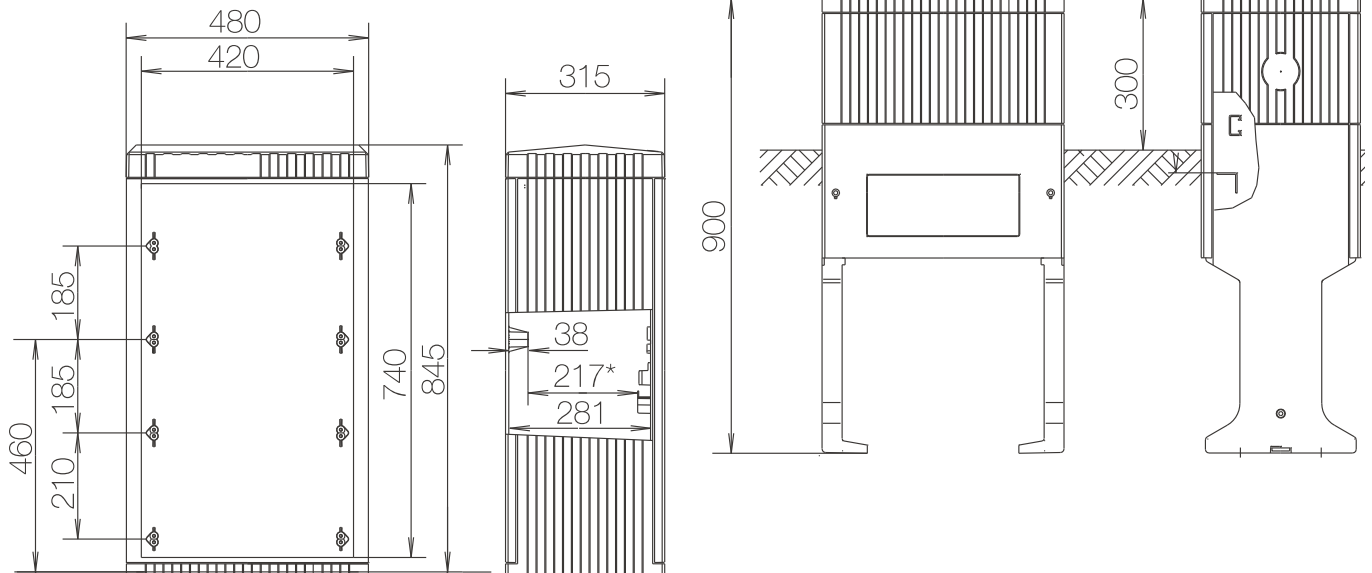
Distribution cabinets and base variants, size 00

Dimensional drawings

Size 00, height 845 mm: 93101-0302

Empty cabinet, one door

In-ground base: 93835-0010

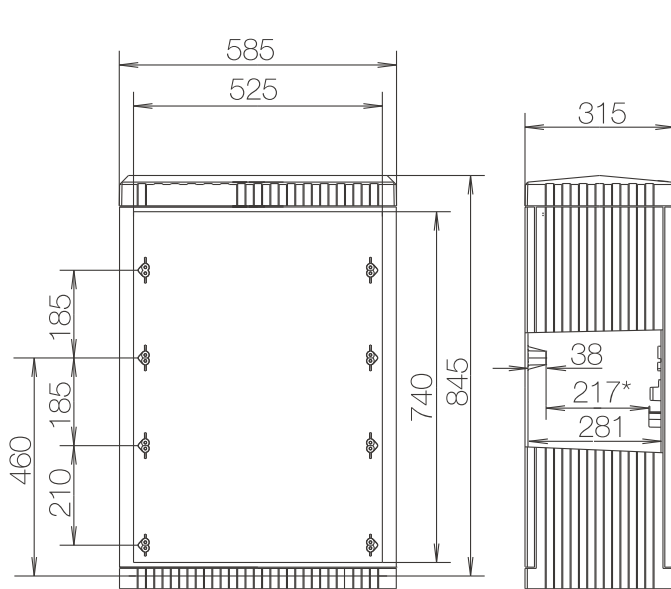


* Installation depth in lock area

Distribution cabinets, size 0 Dimensional drawings

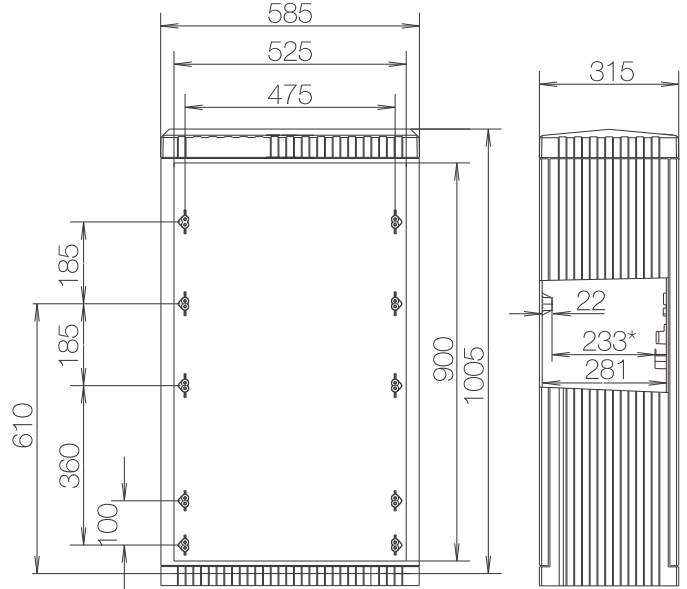
Size 0, height 845 mm: 93101-0000

Empty cabinet, one door



Size 0, height 1005 mm: 93102-0000

Empty cabinet, one door



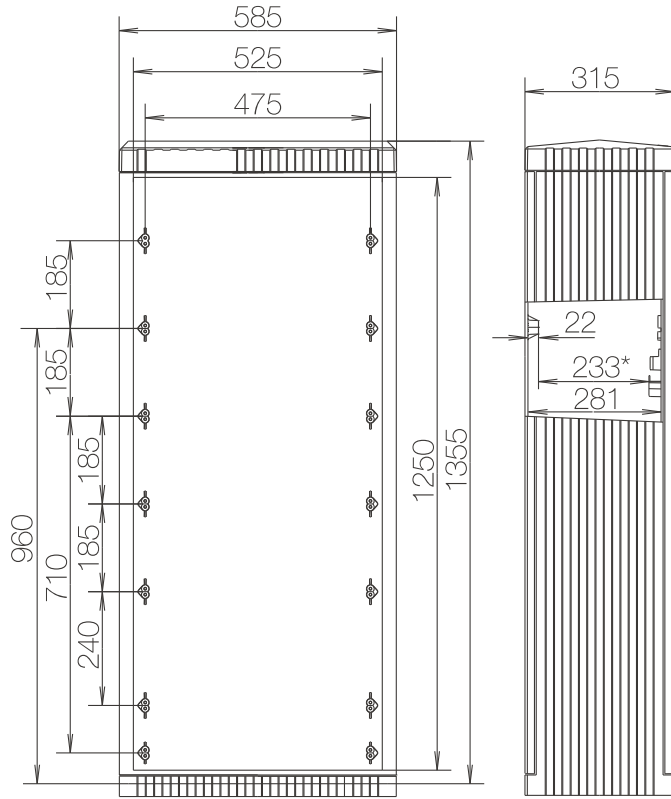
* Installation depth in lock area

Distribution cabinets and base variants, size 0

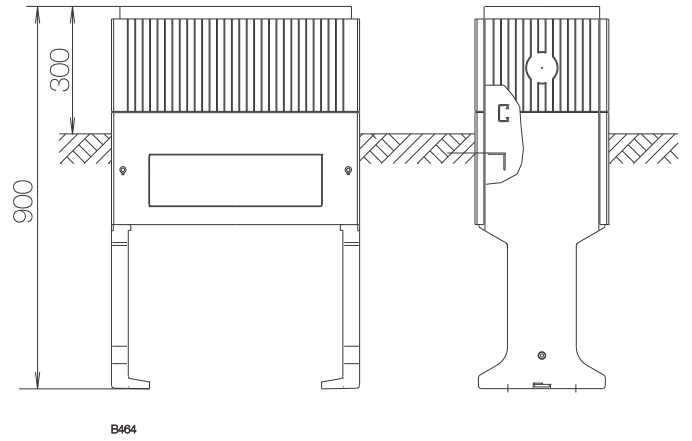
Dimensional drawings

Size 0, height 1355 mm: 93103-0000

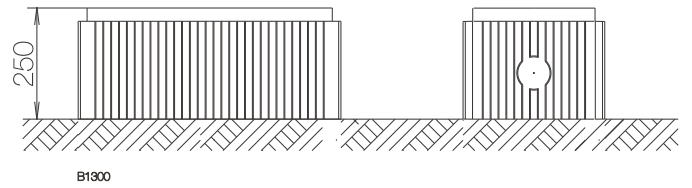
Empty cabinet, one door



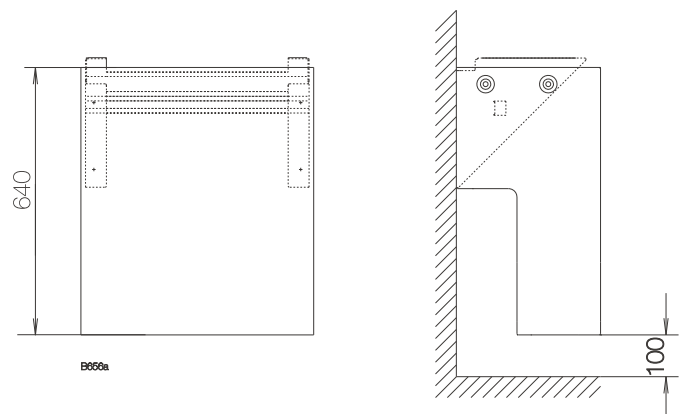
In-ground base: 93810-1010



Floor-mounted base: 93835-1020



Wall bracket: 93835-1030

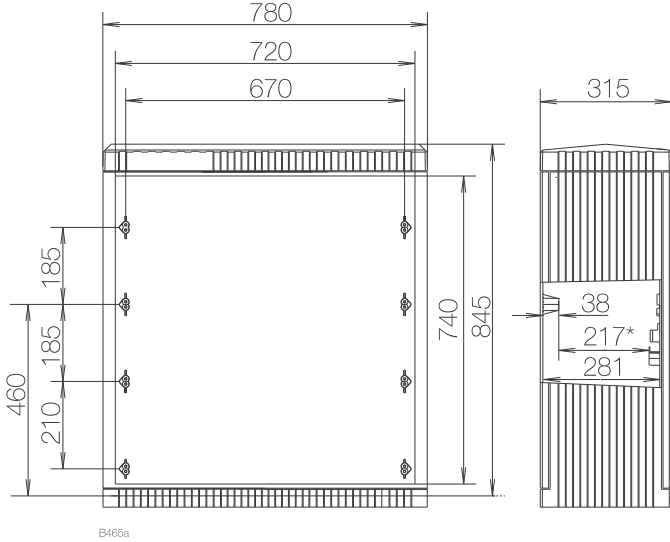


* Installation depth in lock area

Distribution cabinets, size 1 Dimensional drawings

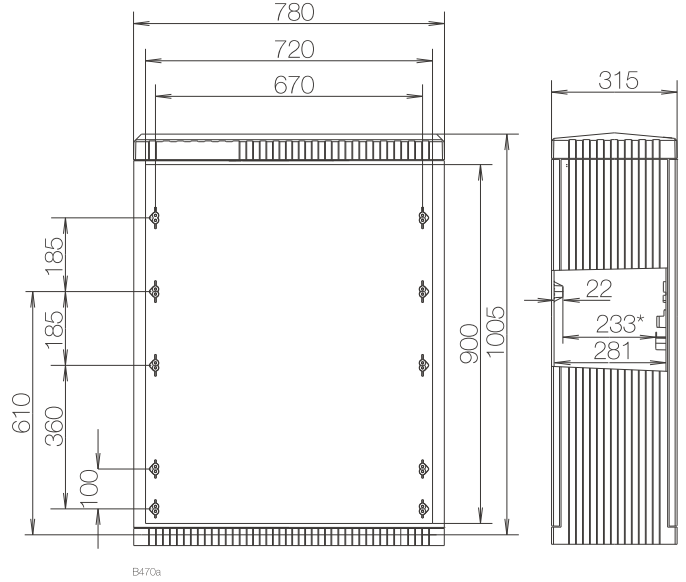
Size 1, height 845 mm: 93110-0000

Empty cabinet, one door



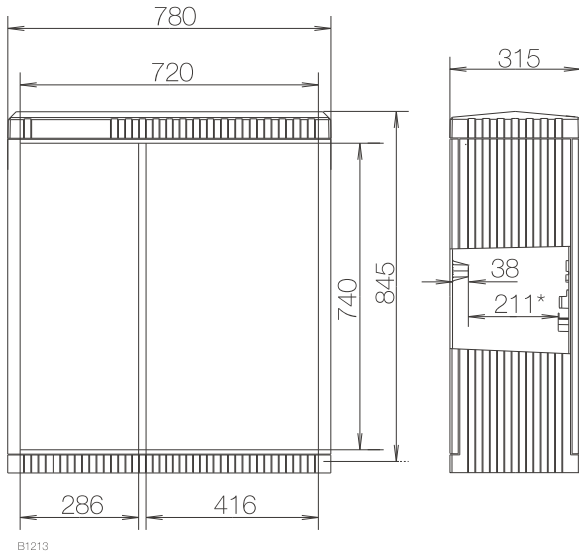
Size 1, height 1005 mm: 93112-0000

Empty cabinet, one door



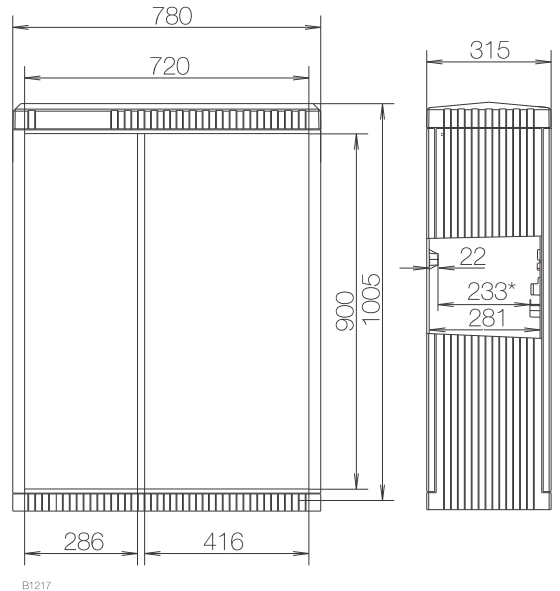
93110-0401

Distribution cabinet with asymmet-



93112-0401

Distribution cabinet with asymmetric doors



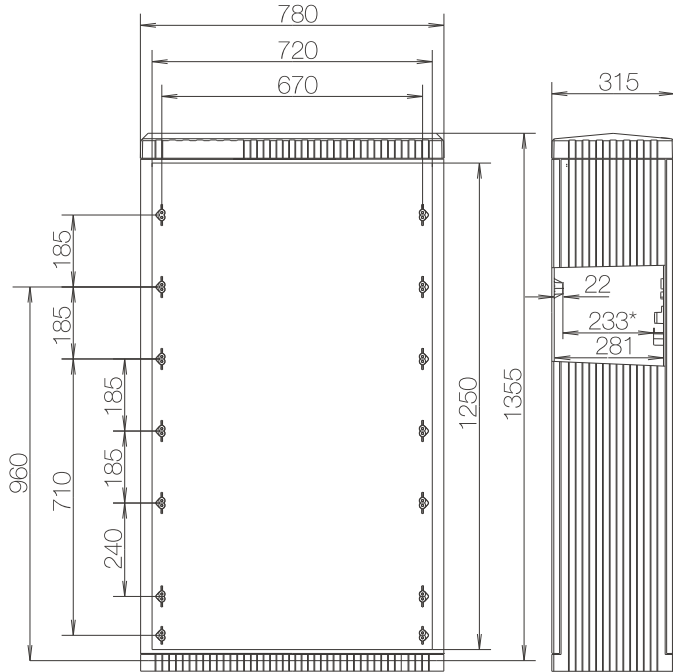
* Installation depth in lock area

Distribution cabinets and base variants, size 1

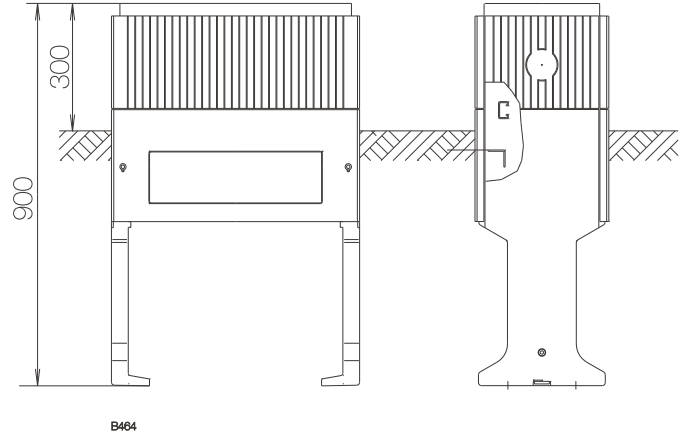
Dimensional drawings

Size 1, height 1355 mm: 93113-0000

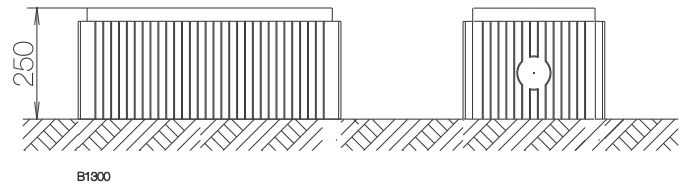
Empty cabinet, one door



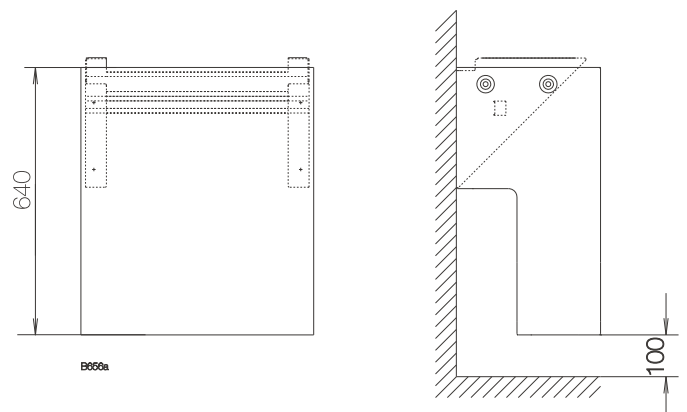
In-ground base: 93835-0110



Floor-mounted base: 93835-0130



Wall bracket: 93835-0140

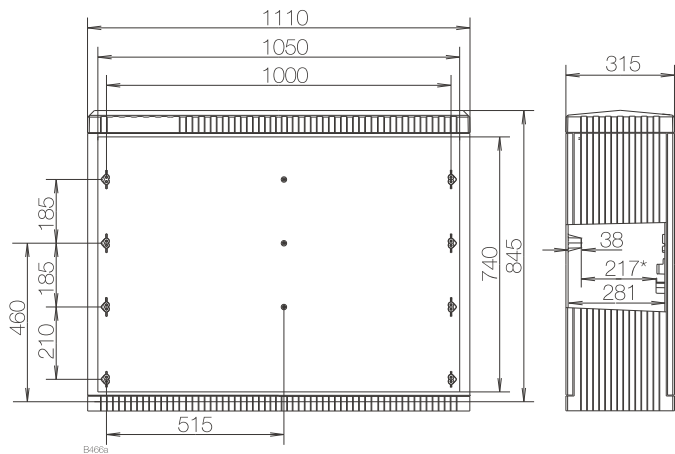


* Installation depth in lock area

Distribution cabinets, size 2 Dimensional drawings

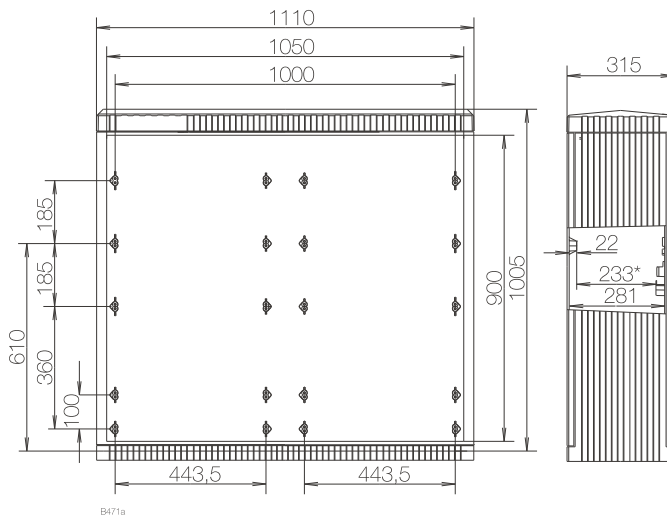
Size 2, height 845 mm: 93120-0000

Empty cabinet, two-door



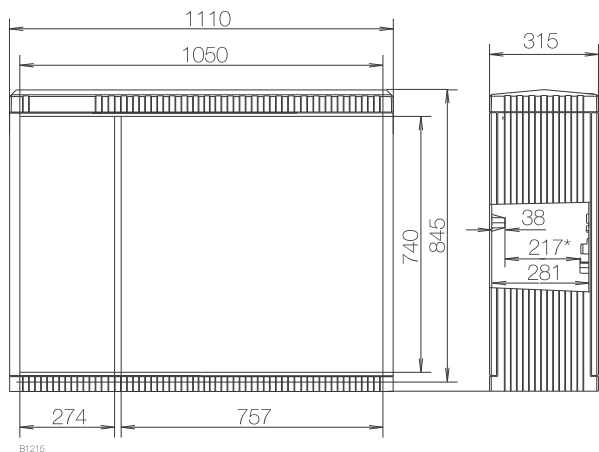
Size 2, height 1005 mm: 93122-0000

Empty cabinet, two-door



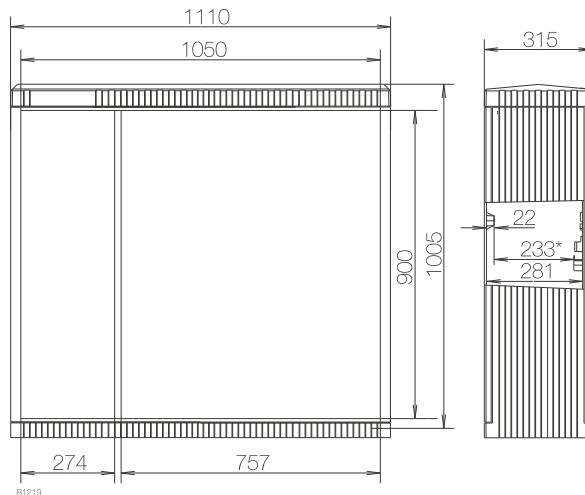
93120-0401

Distribution cabinet with asymmetric doors



93122-0401

Distribution cabinet with asymmetric doors



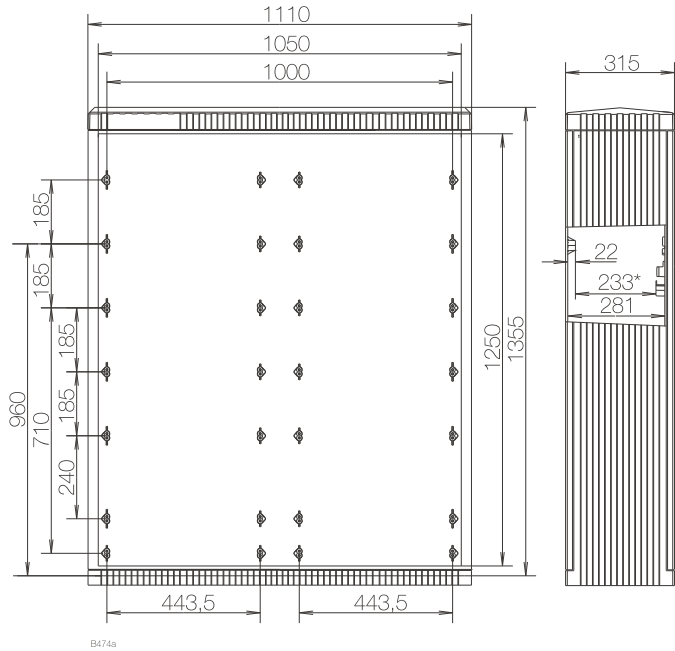
* Installation depth in lock area

Distribution cabinets and base variants, size 2

Dimensional drawings

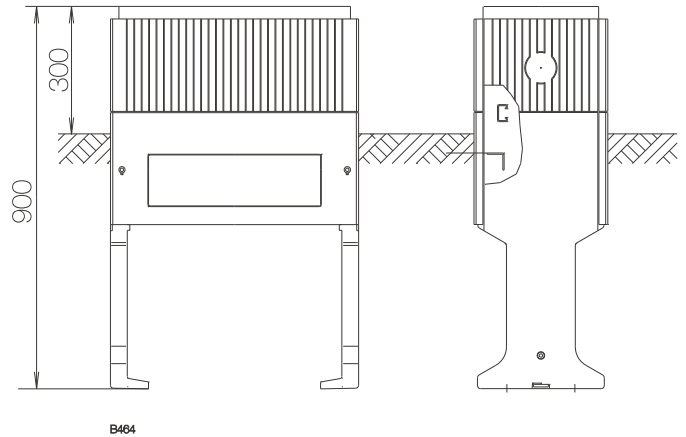
Size 2, height 1355 mm: 93123-0000

Empty cabinet, two-door



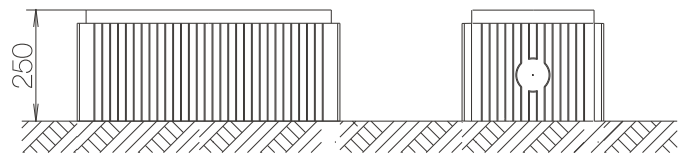
B474a

In-ground base: 93835-0210



B464

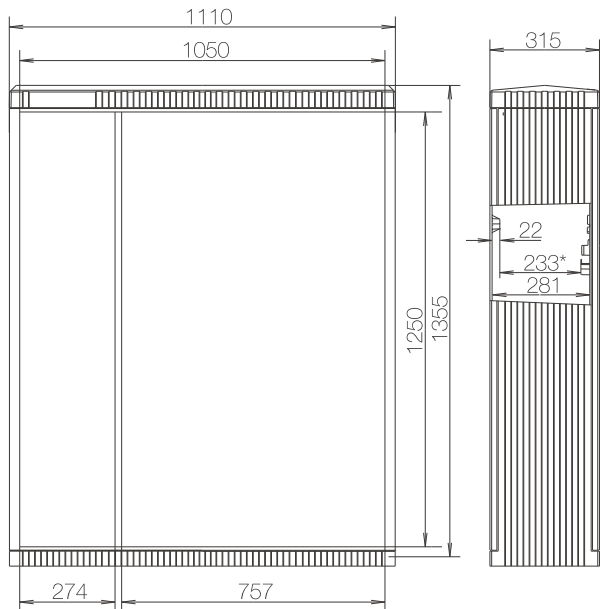
Floor-mounted base: 93835-0230



B1300

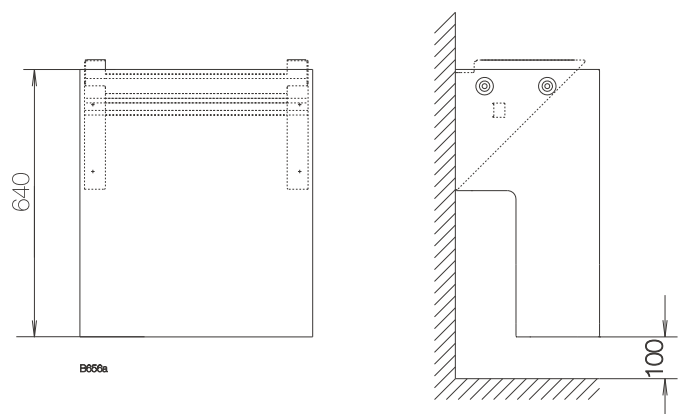
93123-0401

Distribution cabinet with asymmetric doors



B1223

Wall bracket: 93835-0240



B650a

* Installation depth in lock area

Distribution pillars, series 142, 162

System description

Type:

Degree of protection: IP44

Material:

Glass-fibre-reinforced polyester of type FS 833.5 in accordance with DIN 16913

Colour:

Light grey in accordance with RAL 7035

Dimensions:

See dimensional drawings

Door:

Plug-in door

Locking:

- Empty pillars and variant with mounting panel = double locking, one lock cylinder installed
- Distribution pillar with busbar = single-locking

Base:

Enclosure and base form one unit. Floor grid optional.

Installations (upon request):

- Mounting panel
- NH fuse-rails, size 2
- NH fuse-rails, size 00

Note:

In order to avoid dew inside enclosures installed on moist ground, it is recommended to fill the foundation up to the level of the cable mounting rail after assembly.

Use base filler (25-l bag, 93820-5075), the recommended fill height is 200 - 300 mm.

Product benefits

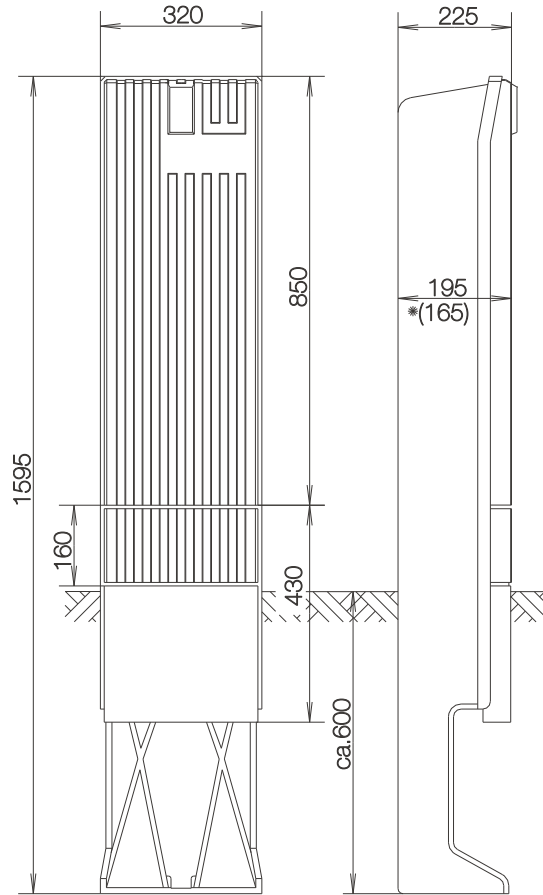
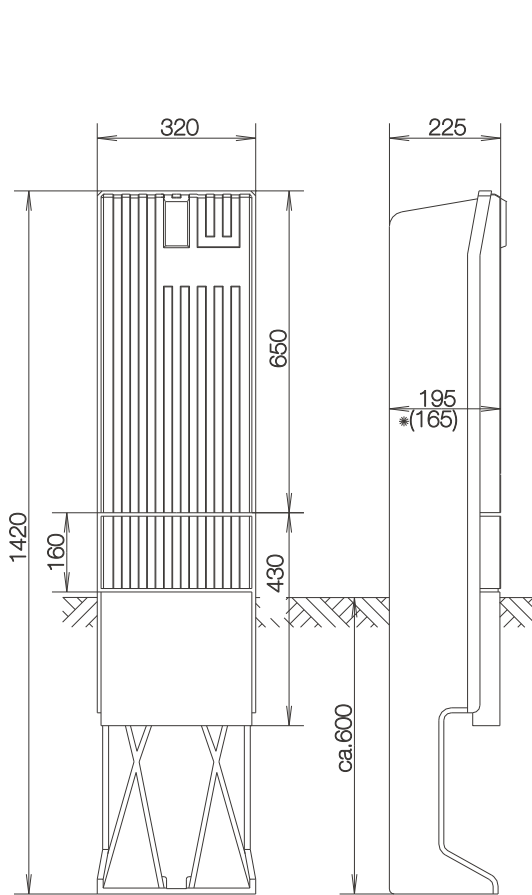
- Low height
- Compact dimensions
- Modern, corrugated design
- Pillar parts can be painted upon request
- Doors are easy to install and remove to and from hinges

Distribution pillars, series 142, 162

Dimensional drawings

Series 142: 93260-0010

Series 162: 93261-0010



Distribution pillars, series 152, 155, 157, 172, 175, 177, 202, 205, 207

System description

Type:

Degree of protection: IP44

Material:

Glass-fibre-reinforced polyester of type FS 833.5 in accordance with DIN 16913

Colour:

Light grey in accordance with RAL 7035

Dimensions:

See dimensional drawings

Locking:

- 3-point espagnolette lock
- Empty pillars and variant with mounting panel = double locking, one lock cylinder installed
- Distribution pillar with busbar = single-locking

Base:

Enclosure and base form one unit.

Installations (upon request):

- Mounting panel
- NH fuse-rails, size 2
- NH fuse-rails, size 00

Note:

In order to avoid dew inside enclosures installed on moist ground, it is recommended to fill the foundation up to the level of the cable mounting rail after assembly.
Use base filler (25-l bag, 93820-5075), the recommended fill height is 200 - 300 mm.

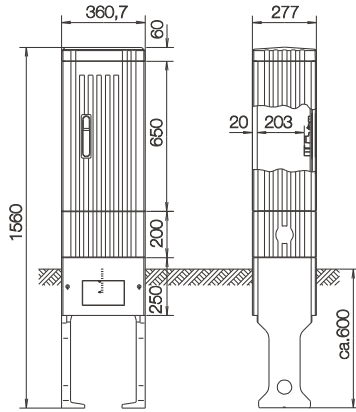
Product benefits

- Modern, corrugated design
- Recyclable as enclosure contains no press-fitted metal parts
- Pillar parts can be painted upon request
- Door handle with flush turn lever made of shockproof plastic
- Doors of stand-alone cabinets open up to 180°
- Pillar can be set up in tightly-spaced rows, doors opening up to 90°
- Doors are easy to install and remove to and from hinges
- Door hinges can be located on left-hand or right-hand side

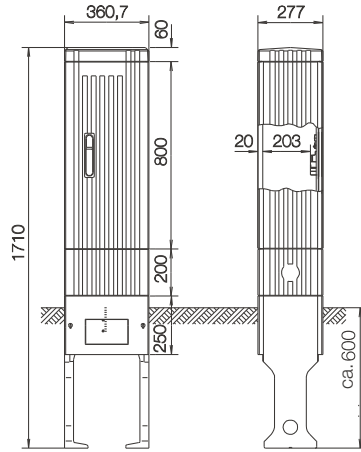
Distribution pillars, series 152, 155, 157, 172, 175, 177, 202, 205, 207

Dimensional drawings

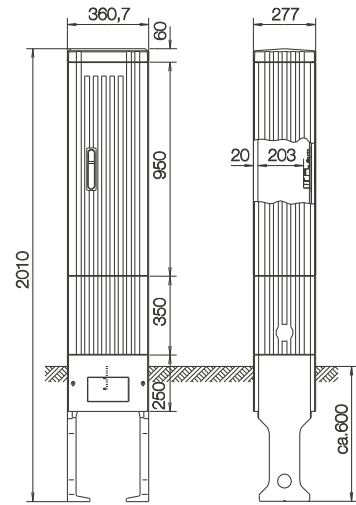
Series 152: 93262-0010



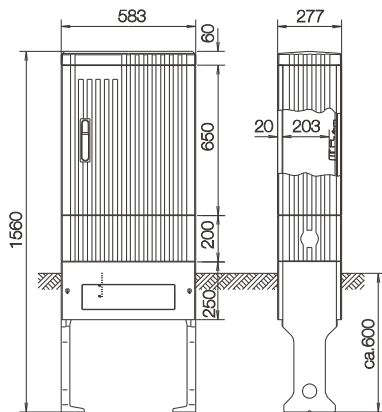
Series 172: 93263-0010



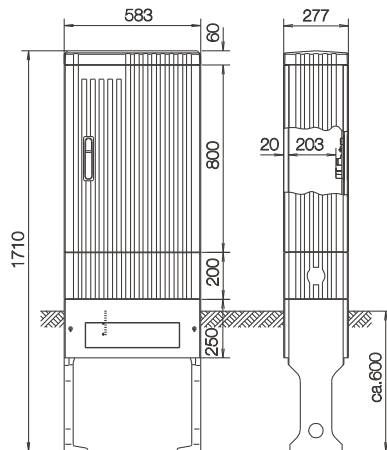
Series 202: 93264-0010



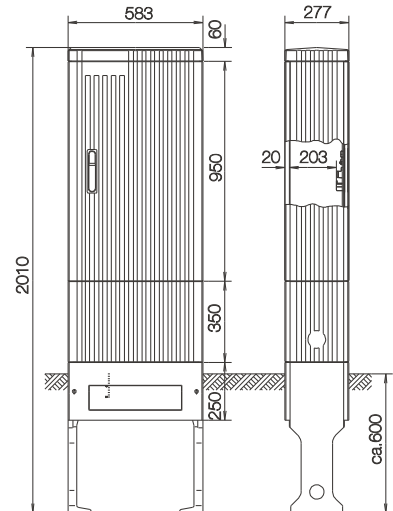
Series 155: 93270-0010



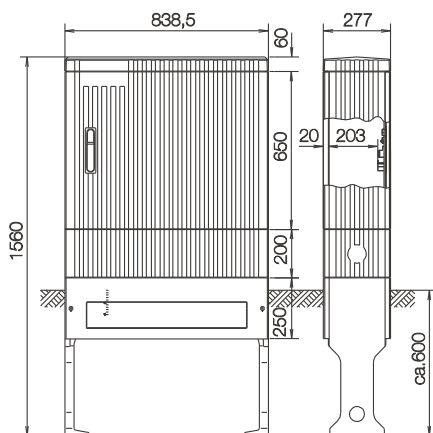
Series 175: 93271-0010



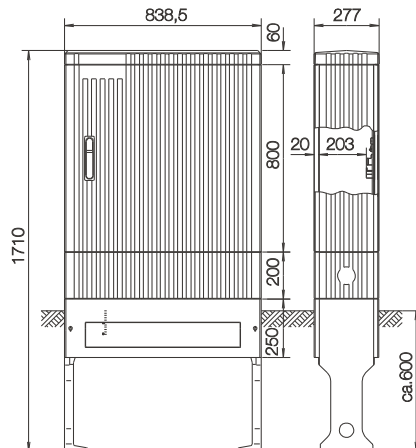
Series 205: 93272-0010



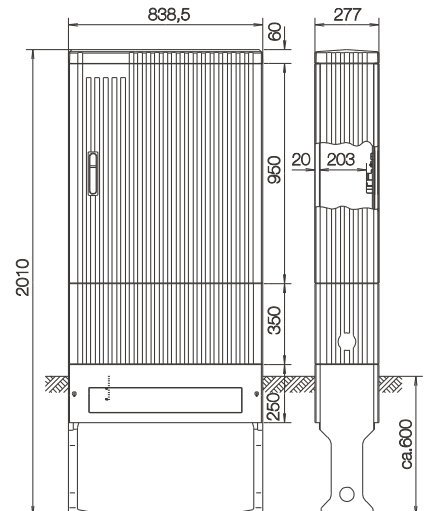
Series 157: 93280-0010



Series 177: 93281-0010



Series 207: 93282-0010





Elegant power distributors and house service pillars

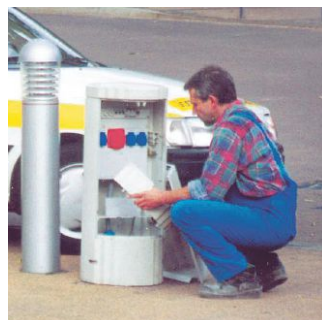
Appealing design

Reliable and safe technology combined with an elegant design offers many new application options



Distribution pillar

Stationary power distribution pillar featuring an elegant design for market squares and fairgrounds



Variable use

Mobile fairground distributor with various installation units for outlets up to 32 A





Distribution pillar, round	48
Distribution pillar, round, for market squares and fairgrounds	49
House service pillar, round, pre-assembled	50
Accessories	51
Technical data	52

System

EFEN's round distribution pillars for distribution and house service applications are a delight to the eye. Inconspicuous design for indoor and outdoor use.

Features

No matter what the weather – EFEN's fairground and market square distributors are reliable and robust. Their modular design offers many and flexible assembly options. Pre-assembled installation units facilitate a multitude of variants.

Seamless

When not in use, the underfloor power supply unit is securely concealed by a robust cover.



Simple

Simply open the cover and plug in the mobile distribution unit. Safe. Perfect.



Customizable

The distributors are compatible with any type of device to meet the requirements on site.



Distribution pillars



93250-0010

Distribution pillar

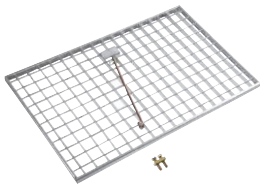
▶ Technical data, 56
Dimensional drawing, page 53/54

Features:

- Degree of protection: IP44
- Made of glass-fibre-reinforced polyester of type FS 833.5 in accordance with DIN 16913; contains recycled material
- Colour: RAL 7035
- Granite structure
- Single-locking

Designation	Height	Width	Depth	Sur. Cu	PU	Type	Order no.
Distribution pillar 115, height 1150 mm, round	1150	360	360		1	SL115	93250-0010
Distribution pillar 115, height 1150 mm, with PVC mounting panel, 260 x 350 x 6 mm (H x W x D), round	1150	360	360	-	1	SL115P	93250-0211
Distribution pillar 135, height 1350 mm, round	1350	360	360		1	SL135	93251-0010
Distribution pillar 135, height 1350 mm, with PVC mounting panel, 290 x 350 x 6 mm (H x W x D), round	1350	360	360		1	SL135P	93251-0211
Distribution pillar 135, height 1350 mm, with PVC mounting panel, 200 x 537 x 6 mm (H x W x D), round, cable outlet	1350	360	360		1	SL135PA	93251-0511

Accessories for distribution pillars



93825-0267

Steel floor grid

Designation	PU	Type	Order no.
Steel floor-grid kit VS 115/135	1	90267	93825-0267



93820-5075

Base filler

Features:

Filler material to reduce the accumulation of condensed water in enclosures located outdoors.

Designation	PU	Type	Order no.
Filler material to reduce the accumulation of condensed water in enclosures located outdoors. The fill height should be approx. 200 - 300 mm. 1 bag = 25 litres	1	95075	93820-5075

Distribution pillar
115 and 135 = 1 bag

Distribution pillars for market squares and fairgrounds



93251-0030

Distribution pillars for market squares and fairgrounds

▶ Technical data, 52
Dimensional drawing, page 55

Designation	Height	Width	Depth	Sur. Cu	PU	Type	Order no.
Distribution pillar 135, height 1350 mm, with fairground cutout for power socket combination	1350	360	360	-	1	SL135A	93251-0033
Distribution pillar 135, fairground, height 904 mm	904	360	360	0,38	1	SF135M	93251-0030

Accessories for distribution pillars for market squares and fairgrounds



93835-0055

Underfloor power supply unit, IP67

Designation	PU	Type	Order no.
Base of underfloor power supply unit, cast iron, SF135M, with coupling, 5-pole, 63 A, IP67, for power supply	1	SX135	93835-0055

House service pillar



93250-0013

House service pillar

► Technical data, 56
Dimensional drawing, page 53

Features:

- Degree of protection: IP44
- Height 1150 mm
- Width 30 mm
- Depth 30 mm
- Made of glass-fibre-reinforced polyester of type FS 833.5 in accordance with DIN 16913; contains recycled material
- Colour: RAL 7035 - granite structure
- Single-locking
- Pre-assembled for use as house service pillar

Designation	PU	Type	Order no.
House service pillar 115, height 1150 mm, 1 x 3 NH00, input via V-clamp 10 – 95 mm ² se, output via flat-clamp 10 – 70 mm ² se	1	SH115AAA	93250-0013
House service pillar 115, height 1150 mm, 1 x 3 NH00, input via V-clamp 35 – 240 mm ² se, output via flat-clamp 10 – 70 mm ² se	1	SH115AAC	93250-0113
House service pillar 115, height 1150 mm, 1 x 3 NH00, input via V-clamp 2 x 70 – 240 mm ² se, output via pressure plate 10 – 50 mm ² se	1	SH115AAE	93250-0213
House service pillar 115, height 1150 mm, 2 x 3 NH00, input via V-clamp 35 – 240 mm ² se, output via flat-clamp 10 – 70 mm ² se	1	SH115BAB	93250-0313
House service pillar 115, height 1150 mm, 2 x 3 NH00, input via V-clamp 2 x 70 – 240 mm ² se, output via pressure plate 10 – 70 mm ² se	1	SH115BAD	93250-0413
House service pillar 115, height 1150 mm, 1 x 3 NH2, input via V-clamp 35 – 240 mm ² se, output via pressure plate 25 – 95 mm ² se	1	SH115CAB	93250-0513
House service pillar 115, height 1150 mm, 1 x 3 NH2, input via V-clamp 2 x 70 – 240 mm ² se, output via pressure plate 25 – 95 mm ² se	1	SH115CAD	93250-0613



93251-0013

House service pillar

► Technical data, 56
Dimensional drawing, page 54

Features:

- Degree of protection: IP44
- Height 1350 mm
- Width 360 mm
- Depth 360 mm
- Made of glass-fibre-reinforced polyester of type FS 833.5 in accordance with DIN 16913; contains recycled material
- Colour: RAL 7035 - granite structure
- Single-locking
- Pre-assembled for use as house service pillar

Designation	PU	Type	Order no.
House service pillar 135, height 1350 mm, 1 x 3 NH00, input via V-clamp 10 – 95 mm ² se, output via flat-clamp 10 – 50 mm ² se	1	SH135AAA	93251-0013
House service pillar 135, height 1350 mm, 1 x 3 NH00, input via V-clamp 35 – 240 mm ² se, output via flat-clamp 10 – 50 mm ² se	1	SH135AAC	93251-0113
House service pillar 135, height 1350 mm, 1 x 3 NH00, input via V-clamp 2 x 70 – 240 mm ² se, output via pressure plate 10 – 50 mm ² se	1	SH135AAE	93251-0213
House service pillar 135, height 1350 mm, 2 x 3 NH00, input via V-clamp 35 – 240 mm ² se, output via flat-clamp 10 – 70 mm ² se	1	SH135BAB	93251-0313
House service pillar 135, height 1350 mm, 2 x 3 NH00, input via V-clamp 2 x 70 – 240 mm ² se, output via pressure plate 10 – 70 mm ² se	1	SH135BAD	93251-0413
House service pillar 135, height 1350 mm, 1 x 3 NH2, input via V-clamp 35 – 240 mm ² se, output via pressure plate 25 – 95 mm ² se	1	SH135CAB	93251-0513
House service pillar 135, height 1350 mm, 1 x 3 NH2, input via V-clamp 2 x 70 – 240 mm ² se, output via pressure plate 25 – 95 mm ² se	1	SH135CAD	93251-0613

Accessories for distribution pillars



93865-0150

Socket combinations for fairgrounds and market squares

► Technical data, 55

Designation	Height	Width	Depth	PU	Type	Order no.
Socket combination 1 x CEE socket, 16 A, 5-pole, 2 x Schuko socket, 16 A	288	222	166	1	SY15Z	93865-0150
Socket combination 1 x CEE socket, 16 A, 5-pole, 2 x Schuko socket, 32 A	288	222	166	1	SY16Z	93865-0160
Socket combination 4 x Schuko socket, 16 A	288	222	160	1	SY17Z	93865-0170
Socket combination 1 x CEE socket, 16 A	288	222	160	1	SY18Z	93865-0180
Mounting panel kit for socket combination	350	260	6	1	SY19M	93840-0190

Distribution pillar for fairgrounds and market squares

General information

Standards:

DIN VDE 0100 part 722 regulates the installations for fairground and amusement park machinery and structures, vehicles and camper trailers typically used by showmen.

Stationary distribution pillar, round

Variant:

Degree of protection: IP44
Glass-fibre-reinforced polyester of type FS 833.5
DIN 16913, includes recycled material

Colour:

Similar to RAL 7035, light grey with granite structure

Dimensions:

Height 1350 mm / Ø 360 mm

Locking mechanism:

Single-locking, one lock cylinder pre-installed

Base:

- Enclosure and base form one unit

Foundation:

- To avoid condensed water on the inside of the enclosure, it is recommended to fill the foundation up to the level of the cable mounting rail after assembly.
- Use base filler (25-l bag, article number 93820-5075), the recommended fill height is approx. 200 - 300 mm.

Mobile distribution pillar, round

Variant:

Degree of protection: IP44
Glass-fibre-reinforced polyester of type FS 833.5
DIN 16913, includes recycled material

Colour:

Similar to RAL 7035, light grey with granite structure

Dimensions:

Height 904 mm / Ø 360 mm

Locking mechanism:

Single-locking, one lock cylinder pre-installed

Underfloor power supply unit:

Cast-iron enclosure with cover, 310 x 420 x 315 mm (H x W x D)
Stainless-steel bolts with wing nuts, weight 28.5 kg

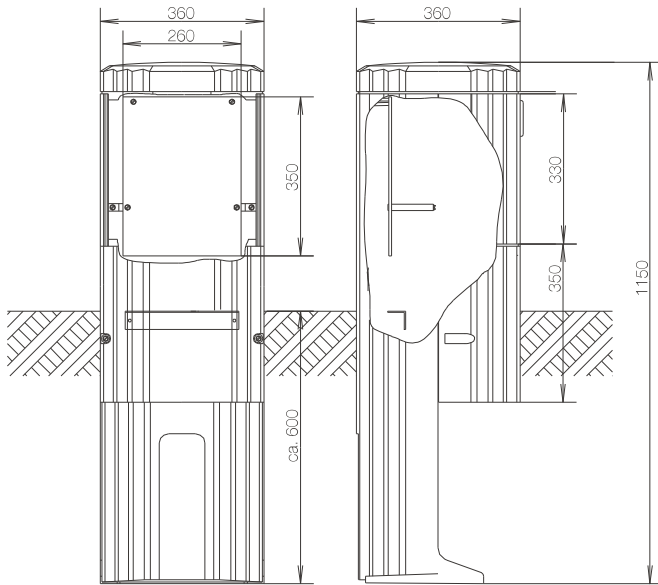
Product benefits

- Flexible assembly thanks to modular design
- Appealing, modern design, winner of the "Gute Industrieform" award
- Cables can be routed out of the enclosure with the door closed
- High number of variants thanks to pre-assembled installation units

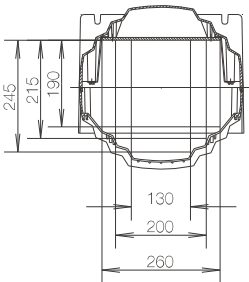
Distribution pillar

Dimensional drawings

Series 115, round: 93250-0211



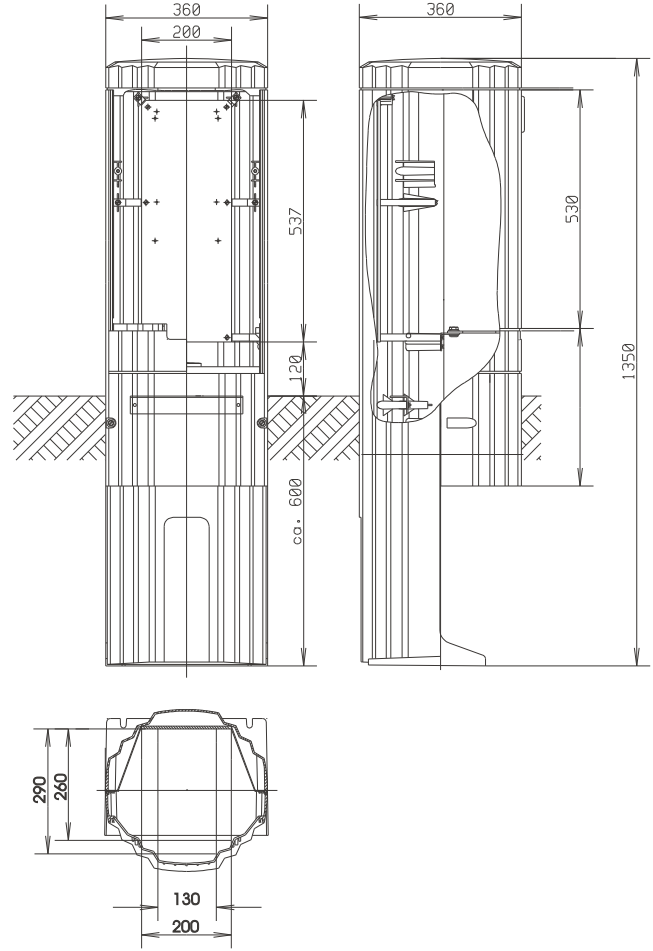
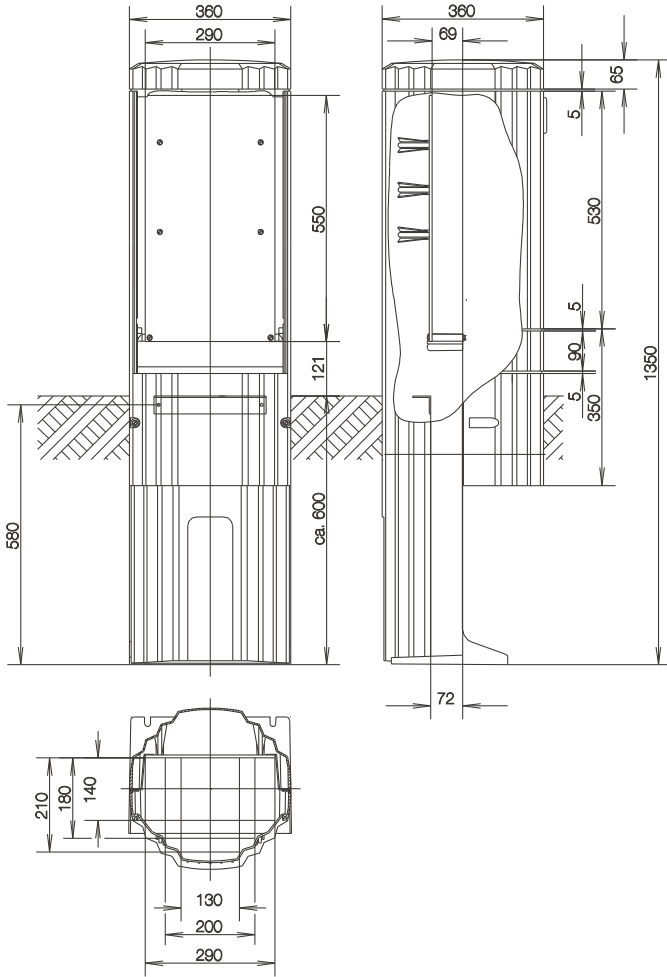
B530



Distribution pillar Dimensional drawings

Series 135, round: 93251-0211

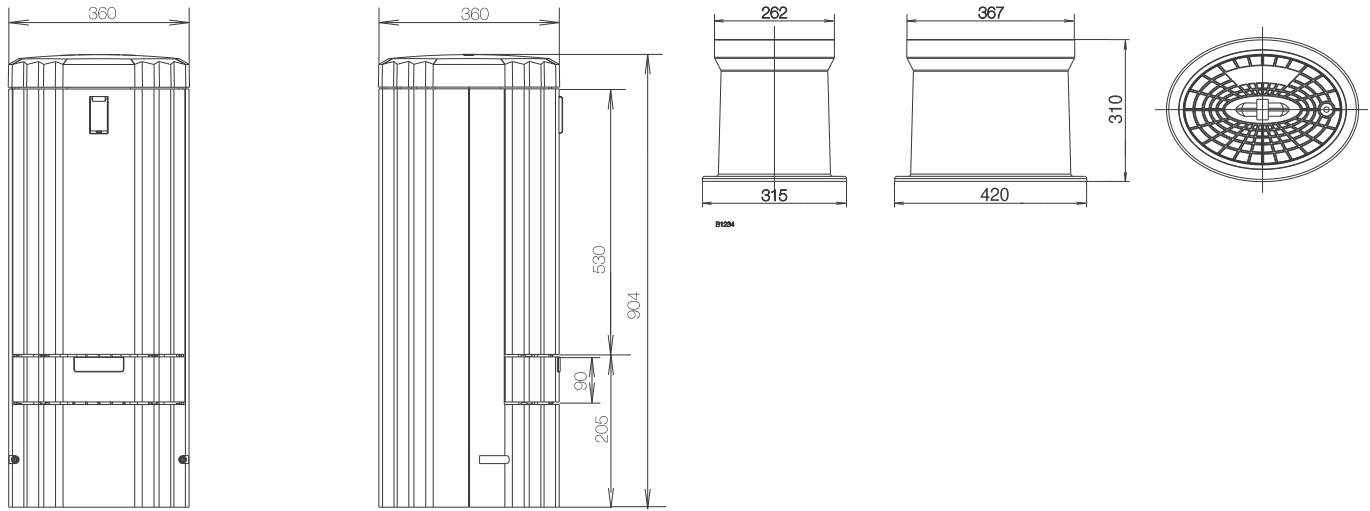
Series 135, round: 93251-0511



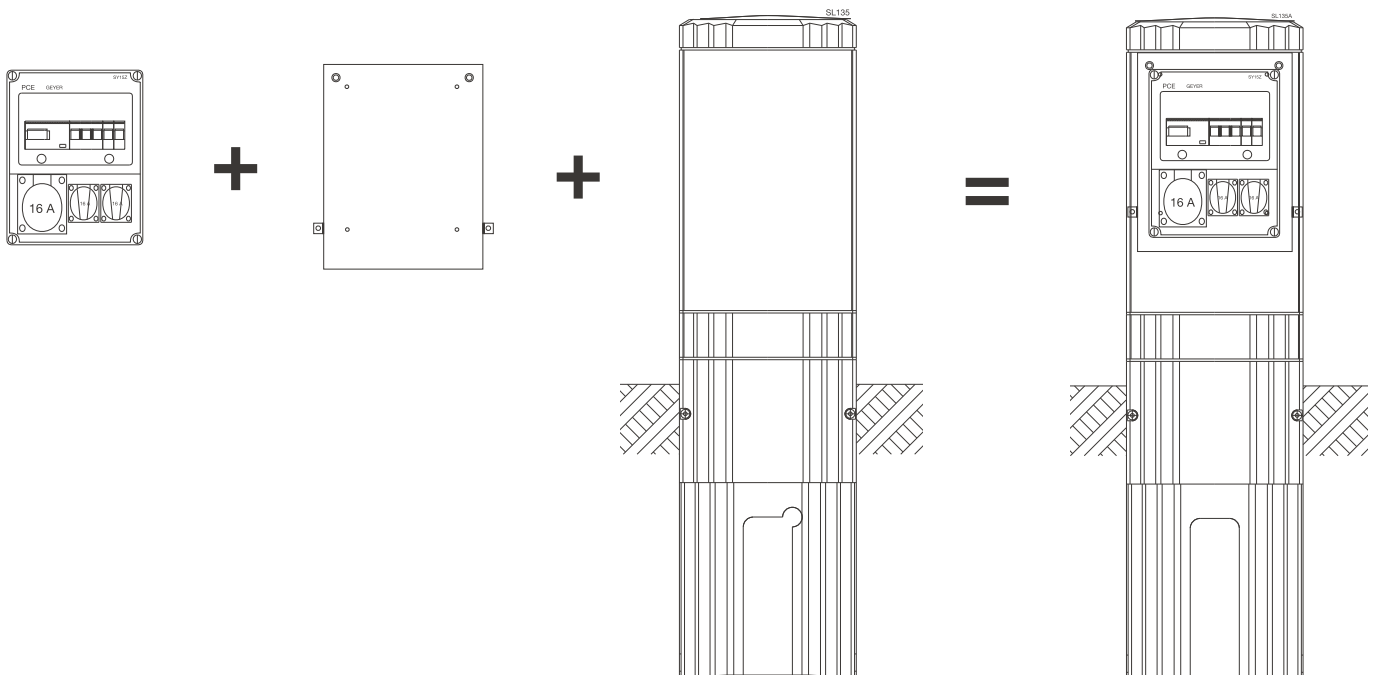
Distribution pillar Dimensional drawings

Series 135, round: 93251-0030

Underfloor power supply unit



Assembly of socket combination for 93251-0033 and 93251-0030



House service pillars

Material:

Glass-fibre-reinforced polyester of type FS 833.5 in accordance with DIN 16913; contains recycled material

Colour:

Similar to RAL 7035, with rock structure

Degree of protection:

IP44

Door:

Plug-in door

Locking mechanism:

Locking mechanism for 1 lock cylinder, locking mechanism for 2 lock cylinders optional

Base:

Enclosure and base form one unit. Floor grid, adjustment rods and earthing connections optional

Installation options:

- 1 x 3 NH00
- 2 x 3 NH00
- 1 x 3 NH2

In the case of grid loops, double-V-clamps are used on the supply side of the external conductors. Two individual terminals are used on the PEN conductor.

Series 115**Dimensions:**

Height 1150 mm / Ø 360 mm

Series 135**Dimensions:**

Height 1350 mm / Ø 360 mm



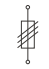
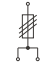
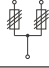
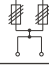
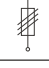

Fitted with NH fuse-rails of size 00 for busbar spacing of 100 mm upon request.

Product benefits

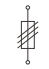
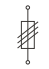
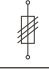

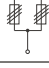
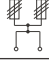
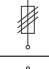
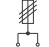
- Weather-resistant – ideal for outdoor use
- Versatile use thanks to modular design, e.g. as outdoor house service distributor, cable distribution, fairground distribution, broadband-cable distribution, pump control for lifting systems, power supply at petrol stations
- Enclosure and base form one unit.
- Units save space inside the building and are accessible for service work at all times
- Award for excellent design

House service pillars

Series 115, round

Order no.		Variants with pre-assembled devices	Input terminals mm ² V-clamps	Output terminals mm ²	Single-locking	Double-locking	1 lock cylinder installed	Split lower front cover	Construction site connection
93250-0013		1 x 3 NH00	10 – 95 se	Steel-box flat-clamp 10–50 se Cu	standard	optional	optional	optional	optional
93250-0113		1 x 3 NH00	35 – 240 se	Steel-box flat-clamp 10–50 se Cu	standard	optional	optional	optional	optional
93250-0213		1 x 3 NH00	2 x 70 – 240 se	Pressure plate 10 – 50 se Cu	standard	optional	optional	optional	optional
93250-0313		2 x 3 NH00	35 – 240 se	Flat 10 – 70 se Cu	standard	optional	optional	optional	optional
93250-0413		2 x 3 NH00	2 x 70 – 240 se	Pressure plate 10 – 70 se Cu	standard	optional	optional	optional	optional
93250-0513		1 x 3 NH2	35 – 240 se	Pressure plate 25 – 95 se Cu	standard	optional	optional	optional	optional
93250-0613		1 x 3NH2	2 x 70 – 240 se	Pressure plate 25 – 95 se Cu	standard	optional	optional	optional	optional

Series 135, round

Order no.		Variants with pre-assembled devices	Input terminals mm ² V-clamps	Output terminals mm ²	Single-locking	Double-locking	1 lock cylinder installed	Split lower front cover	Construction site connection
93251-0013		1 x 3 NH00	10 – 95 se	Steel-box flat-clamp 10–50 se Cu	standard	optional	optional	optional	optional
93251-0113		1 x 3 NH00	35 – 240 se	Steel-box flat-clamp 10 – 50 se Cu	standard	optional	optional	optional	optional
93251-0213		1 x 3 NH00	2 x 70 – 240 se	Pressure plate 10 – 50 se Cu	standard	optional	optional	optional	optional
93251-0313		2 x 3 NH00	35 – 240 se	Flat 10 – 70 se Cu	standard	optional	optional	optional	optional
93251-0413		2 x 3 NH00	2 x 70 – 240 se	Pressure plate 10 – 70 se Cu	standard	optional	optional	optional	optional
93251-0513		1 x 3NH2	35 – 240 se	Pressure plate 25 – 95 se Cu	standard	optional	optional	optional	optional
93251-0613		1 x 3NH2	2 x 70 – 240 se	Pressure plate 25 – 95 se Cu	standard	optional	optional	optional	optional



House service systems

Integral design

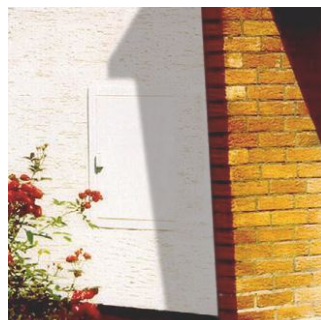
Base and enclosure form one unit, making assembly easy and quick.

Universal use

Besides the outdoor installation of house service devices, the system can also be used for power distribution on fairgrounds or market squares, for pump controls, etc.

Compact design

Compact and safe installation with our house service boxes. Fuse state can be inspected visually at any time.





House service pillars and boxes

House service pillars, height 1420 mm, pre-assembled	60
House service boxes KH 00	61
House service boxes KH 1	62
Accessories for house service boxes	64
Technical data	66

System

Save installation time with EFEN's pre-assembled house service systems. All solutions comply with the requirements of the different grid operators.

Features

Our small-footprint house service pillars are accessible for service work any time. Their low profile and compact dimensions make these elegantly styled enclosures a perfect solution for a secure house service connection located outdoors.

House service pillars



93260-0013

Distribution pillar, height 1420 mm, degree of protection IP44, pre-assembled

▶ Technical data, 66
Dimensional drawing, page 67

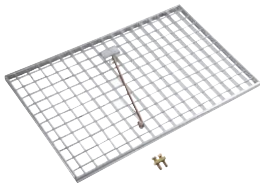
Features:

- Made of glass-fibre-reinforced polyester of type FS 833.5 in accordance with DIN 16913
- Colour: RAL 7035 light grey
- Plug-in door
- Pre-assembled for use as house service pillar
- Single-locking
- Dimensions (H x W x D) 1420 x 320 x 225 mm

Options:

- Double-locking
- 1 lock cylinder installed
- Split lower front cover
- Construction site connections

Designation	PU	Type	Order no.
House service pillar 142, height 1420 mm, 1 x 3 NH00, input via V-clamp 10 – 95 mm ² se, output via flat-clamp 10 – 70 mm ² se	1	SH142AAA	93260-0013
House service pillar 142, height 1420 mm, 1 x 3 NH00, input via V-clamp 35 – 240 mm ² se, output via flat-clamp 10 – 70 mm ² se	1	SH142AAB	93260-0113
House service pillar 142, height 1420 mm, 1 x 3 NH00, input via V-clamp 2 x 70 – 240 mm ² se, output via flat-clamp 10 – 70 mm ² se	1	SH142AAC	93260-0213
House service pillar 142, height 1420 mm, 2 x 3 NH00, input via V-clamp 35 – 240 mm ² se, output via flat-clamp 10 – 70 mm ² se	1	SH142BAA	93260-0313
House service pillar 142, height 1420 mm, 1 x 3 NH2, input via V-clamp 35 – 240 mm ² se, output via pressure plate 25 – 95 mm ² se	1	SH142CAA	93260-0413
House service pillar 142, height 1420 mm, 1 x 3 NH2, input via V-clamp 2 x 70 – 240 mm ² se, output via pressure plate 25 – 95 mm ² se	1	SH142CAB	93260-0513



93825-0266

Steel floor grid

Designation	PU	Type	Order no.
Steel floor grid kit for VS 142	1	90266	93825-0266



93820-5075

Base filler

Features:

- Filler material to reduce the accumulation of condensed water in enclosures located outdoors
- Required quantity for house service pillar 142 = 1 bag

Designation	PU	Type	Order no.
Filler material to reduce the accumulation of condensed water in enclosures located outdoors. The fill height should be approx. 200 – 300 mm. 1 bag = 25 litres	1	95075	93820-5075

House service boxes in accordance with DIN VDE 0660-505



93403-0053

House service box KH00 / K3 in accordance with DIN VDE 0660-505

► Technical data, 68
Dimensional drawing, page 69

Features:

- Degree of protection: IP54, standards: VDE 0660 part 505, protection category II
- Enclosure: Glass-fibre-reinforced polyester of type FS 833.5
- in accordance with DIN 16913, RAL 7035 light grey
- 4-point internal mounting
- Square 8-mm bolt, slotted, bored for sealing wire
- 1 x M25 at top right for equipotential bonding
- Input: steel-box V-clamp 10 – 95 mm² / Output: steel-box flat-clamp 6 – 50 mm²
- 1 x 3NH00, I_n = 100 A

Designation	PU	Type	Order no.
Cover made of glass-fibre-reinforced polyester, PEN M4.1: 3 x terminal at output, safety cover: 2-piece, hinged, bored for sealing wire, crystal-clear	1	16119001	93403-0053
Crystal-clear cover made of polycarbonate, PEN M4.1: 3 x terminal at output, safety cover: 2-piece, hinged, bored for sealing wire, crystal-clear	1	16119062	93403-0023



93404-0033

House service box KH00 / K4 in accordance with DIN VDE 0660-505

► Technical data, 70
Dimensional drawing, page 71

Features:

- Degree of protection: IP54, standards: VDE 0660 part 505, protection category II
- Enclosure: Glass-fibre-reinforced polyester of type FS 833.5
- in accordance with DIN 16913, RAL 7035 light grey
- 4-point internal mounting
- 2 x square 8-mm bolt, slotted, bored for sealing wire
- 1 x M25 at top right for equipotential bonding
- Input: steel-box V-clamp 10 – 95 mm² / Output: steel-box flat-clamp 6 – 50 mm²
- 1 x 3 NH00, I_n = 100 A

Designation	PU	Type	Order no.
Cover made of glass-fibre-reinforced polyester, 1 x cable inlet PEN M4.1: 3 x terminal at output, safety cover: 2-piece, hinged, bored for sealing wire, crystal-clear	1	16118001	93404-0003
House service box KH00 / K4 in accordance with DIN VDE 0660-505, 1 x 3 NH00, 100 A, input: 2 x steel-box V-clamp 10 – 95 mm ² , output: 3 x steel-box flat-clamp 6 – 70 mm ² , loop-through type	1	17118000	93404-0033



93404-0013

House service box KH00 / K4 in accordance with DIN VDE 0660-505

► Technical data, 70
Dimensional drawing, page 71

Features:

- Degree of protection: IP54, standards: VDE 0660 part 505, protection category II
- Enclosure: Glass-fibre-reinforced polyester of type FS 833.5
- in accordance with DIN 16913, RAL 7035 light grey
- 4-point internal mounting
- 2 x square 8-mm bolt, slotted, bored for sealing wire
- 1 x M25 at top right for equipotential bonding
- 2 bottom cable inlets (input and output)
- Ceramic base offset to the right
- DSO cover, contact protection top and bottom
- Input: steel-box V-clamp 10 – 95 mm² / Output: steel-box flat-clamp 6 – 50 mm²
- 1 x 3 NH00, I_n = 100 A
- Including press-fitted rain cover

Designation	PU	Type	Order no.
House service box KH00 / K4 in accordance with DIN VDE 0660-505, PEN M1.1: 2 x terminals at output, 1 x 3 NH00, 100 A, input: V-clamp 10 – 95mm ² , output: steel-box flat-clamp 6 – 70 mm ² , including press-fitted rain cover	1	16118642	93404-0023
House service box KH00 / K4 in accordance with DIN VDE 0660-505, PEN M1.1: 2 x terminal at output, 1 x 3 NH00, 100 A, input: V-clamp 10 – 95 mm ² , output: Steel-box flat-clamp 6 – 70 mm ² , including press-fitted rain cover, locking mechanism for lock cylinder	1	16118641	93404-0013

House service boxes in accordance with DIN VDE 0660-505



93412-0003

House service box KH1 / K12 in accordance with DIN VDE 0660-505

► Technical data, 72
Dimensional drawing, page 73

Features:

- Degree of protection: IP54, standards: VDE 0660 part 505, protection category II
- Enclosure: Glass-fibre-reinforced polyester of type FS 833.5
- in accordance with DIN 16913, RAL 7035 light grey
- 4-point internal mounting
- 2 x square 8-mm bolt, slotted, bored for sealing wire
- 1 x 3NH2, $I_n = 250$ A

Designation	PU	Type	Order no.
House service box KH1 / K12 in accordance with DIN VDE 0660-505, 1 x 3 NH2, 250 A, input: V-clamps 35 – 185 mm ² se, output: pres- sure plate 16 – 150 mm ² se, standard	1	16113701	93412-0003
Clear cover made of polycarbonate 1 x cable inlet Input: V-clamps 35 – 185 mm ² se Output: V-clamps 35 – 185 mm ² se PEN M4.1: 2 x terminals at output + POT 10 – 70 mm ² Cu/Al	1	16113763	93412-3763
House service box KH1 / K12 in accordance with DIN VDE 0660-505, 1 x 3 NH2, 250 A, input: steel-box V-clamp 35 – 185 mm ² se, output: pressure plate 16 – 150 mm ² se standard	1	17113701	93412-0043
Loop-through type Cover made of glass-fibre-reinforced polyester 2 x cable inlet Input: Pressure plates 16 – 150 mm ² sm Output: Pressure plates 16 – 150 mm ² sm PEN M4.1: 2 x terminals at output + POT 10 – 70 mm ² Cu/Al	1	17413701	93412-0073

House service box KH1 / K12 in accordance with DIN VDE 0660-505

► Technical data, 72
Dimensional drawing, page 73

Features:

- Degree of protection: IP54, standards: DIN VDE 0660-505, protection category II
- Enclosure: Glass-fibre-reinforced polyester of type FS 833.5
- in accordance with DIN 16913, RAL 7035 light grey
- 4-point internal mounting
- 2 x square 8-mm bolt, slotted, bored for sealing wire
- 1 x 3 NH2, $I_n = 250$ A
- Including rain cover

Designation	PU	Type	Order no.
House service box KH1 / K12 in accordance with DIN VDE 0660-505, 1 x 3 NH2, 250 A, input: V-clamps 35 – 185 mm ² se, output: pres- sure plate 16 – 150 mm ² se, with sheet-metal rain cover	1	16113799	93412-0023

House service box KH1 / K12 in accordance with DIN VDE 0660-505

► Technical data, 72
Dimensional drawing, page 73

Features:

- Degree of protection: IP54, standards: DIN VDE 0660-505, protection category II
- Enclosure: Glass-fibre-reinforced polyester of type FS 833.5
- in accordance with DIN 16913, RAL 7035 light grey
- 4-point internal mounting
- 2 x square 8-mm bolt, slotted, bored for sealing wire
- 2 x 3 NH00, $I_n = 2 \times 100$ A

Designation	PU	Type	Order no.
Cover made of glass-fibre-reinforced polyester 1 x cable inlet Input: Pressure plates 16 – 150 mm ² se Output: Pressure plates 10 – 50 mm ² PEN M4.1: Input: 1 x pressure plate 16 – 150 mm ² Output: 5 x pressure plates 10 – 50/70 mm ²	1	16123501	93412-0013

House service boxes in accordance with DIN VDE 0660-505

House service box KH1 / K12 in accordance with DIN VDE 0660-505

► Technical data, 72
Dimensional drawing, page 73

Features:

- Degree of protection: IP54, standards: DIN VDE 0660-505, protection category II
- Enclosure: Glass-fibre-reinforced polyester of type FS 833.5
- in accordance with DIN 16913, RAL 7035 light grey
- 4-point internal mounting
- 2 x square 8-mm bolt, slotted, bored for sealing wire
- 2 x 3 NH00, $I_n = 2 \times 100 \text{ A}$

Designation	PU	Type	Order no.
Loop-through type Cover made of glass-fibre-reinforced polyester 2 x cable inlet Input: Pressure plates 16 – 150 mm ² se Output: Pressure plates 50 – 185 mm ² PEN M4.1: 5 x terminals at output	1	17123501	93412-0053
Loop-through type Cover made of glass-fibre-reinforced polyester with double breaker lugs 2 x cable inlet Input: Pressure plates 16 – 150 mm ² se Output: Pressure plates 50 – 185 mm ² PEN M4.1: 5 x terminals at output	1	17423501	93412-0083



93412-3701

House service box KH1 / K12 in accordance with DIN VDE 0660-505

► Technical data, 72
Dimensional drawing, page 73

Features:

- Degree of protection: IP54, standards: DIN VDE 0660-505, protection category II
- Enclosure: Glass-fibre-reinforced polyester of type FS 833.5
- in accordance with DIN 16913, RAL 7035 light grey
- 4-point internal mounting
- 2 x square 8-mm bolt, slotted, bored for sealing wire
- 1 x 3 NH00 + 1 x NH2, $I_n = \sum 250 \text{ A}$

Designation	PU	Type	Order no.
Cover made of glass-fibre-reinforced polyester 1 x cable inlet Input: Pressure plates 16 – 150 mm ² se Output: Pressure plates 16 – 150 mm ² + 10 – 50 mm ² PEN M4.1: 5 x terminals at output	1	16123701	93412-3701
Loop-through type Cover made of glass-fibre-reinforced polyester 2 x cable inlet Input: Pressure plates 16 – 150 mm ² se Output: Pressure plates 16 – 150 mm ² + 10 – 50 mm ² PEN M4.1: 5 x terminals at output	1	17123701	93412-0053

House service box KH1 / K12 in accordance with DIN VDE 0660-505

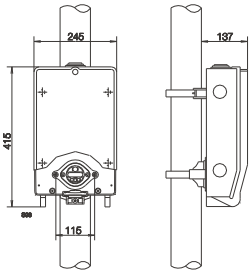
► Technical data, 72
Dimensional drawing, page 73

Features:

- Degree of protection: IP54, standards: DIN VDE 0660-505, protection category II
- Enclosure: Glass-fibre-reinforced polyester of type FS 833.5
- in accordance with DIN 16913, RAL 7035 light grey
- 4-point internal mounting
- 2 x square 8-mm bolt, slotted, bored for sealing wire
- 3 x 3 NH00, $I_n = 3 \times 80 \text{ A}$

Designation	PU	Type	Order no.
Cover made of glass-fibre-reinforced polyester 1 x cable inlet Input: Pressure plates 16 – 150 mm ² se Output: Pressure plates 10 – 50 mm ² PEN M4.1: 5 x terminals at output	1	16133501	93412-0033

Accessories



93815-9106

Conversion kit for roof service mast mounting (only for enclosures with knock-outs on rear side)

► Technical data, 71

Designation	PU	Type	Order no.
Conversion kit K3/K4 for overhead line – single-strand line 4 x 16 – 50 mm ²	1	49106	93815-9106
Conversion kit K3/K4 for overhead line – ribbon cable 4 x 16 mm ²	1	49109	93815-9109
Conversion kit K3/K4 for overhead line – ribbon cable 4 x 25/35 mm ²	1	49110	93815-9110
Conversion kit for roof service mast mounting of house service box, open inlet	1	49108	93810-9108



93810-2406

Retrofit kit for rear-side cable inlet

Features:

- Mounting plate with pilot grommet
- Strain-relief clamp
- Inlet flange with sealing diaphragm
- Mounting hardware

Designation	PU	Type	Order no.
Retrofit kit for rear-side cable inlet K3/K4, in the case of K3 only for variant with rear-side knock-out	1	42406	93810-2406



93810-2843

Rain cover

Features:

- Made of galvanised sheet metal for house service boxes wall-mounted outside
- Fits K12

Designation	PU	Type	Order no.
Rain cover made of galvanised sheet metal for house service box K12 (H x W x D) 130 x 360 x 220 mm	1	52843	93810-2843



93810-1692

Inlet flange for cable conduits

Features:

- Secures cable conduits in the box inlet

Designation	PU	Type	Order no.
Inlet flange for cable conduits for house service boxes K3/K4, size M50	1	51692	93810-1692
Inlet flange for cable conduits for house service boxes K3/K4, size M63	1	51693	93810-1693



93810-0414

Cover frame for flush-mounted house service boxes

Features:

- Flush-mounted installation frame with plug-in door
- Wall rack made of steel strip, galvanised
- Cover frame and door with plastic base coat, RAL 9010

Designation	PU	Type	Order no.
Cover frame for flush-mounted wall rack for house service box K3/K4, RAL 9010, recess (H x W x D) 555 x 360 x 185 mm	1	40000414	93810-0414
Cover frame for flush-mounted wall box for house service box K3/K4, RAL 9010, recess (H x W x D) 555 x 360 x 185 mm	1	40000725	93810-0725

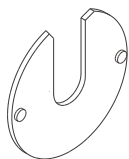


93810-5045

Service mast bracket for house service boxes mounted on wooden masts

Designation	PU	Type	Order no.
Service mast bracket for K4 house service boxes mounted on wooden masts	1	55045	93810-5045

Accessories



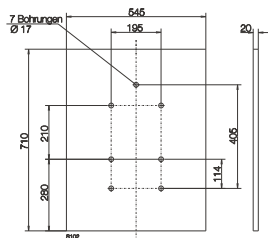
93810-4000

Shim

Features:

- For the mounting on uneven walls

Designation	PU	Type	Order no.
Shim for the mounting of K3/K4 house service boxes on uneven walls	1	64000	93810-4000



93810-5805

Base panel for house service boxes

Features:

- Fibre-silicate panels (asbestos-free)
- Arcing-proof
- Drilled

Designation	PU	Type	Order no.
Base panel made of fibre-silicate to ensure protection against arcing in accordance with VDE 0100/DIN 57100, T732, point 4, K3/K4 for house service boxes (H x W x D) 710 x 545 x 20 mm	1	45805	93810-5805



93810-6535

Construction site connection frame

Features:

- Without cover
- Degree of protection: IP54
- Increases installation depth of K4 by 123 mm
- RAL 7035 light grey

Designation	PU	Type	Order no.
Construction site connection frame for K4 house service boxes, IP 54, increases installation depth by 123 mm	1	46535	93810-6535



93810-6534

Construction site connection box

Features:

- Enclosed cover
- Degree of protection: IP21
- Dimensions: (W x H x D) 280 x 490 x 245 mm

Designation	PU	Type	Order no.
Construction site connection box for K3/K4 house service boxes, IP 21, (H x W x D) 490 x 280 x 245 mm	1	46534	93810-6534

House service pillars, series 142

System description

Material:

Glass-fibre-reinforced polyester of type FS 833.5 in accordance with DIN 16913

Colour:

RAL 7035 light grey

Degree of protection:

IP44

Dimensions:

see variants

Door:

Plug-in door

Locking mechanism:

- Locking mechanism for 1 lock cylinder
- Locking mechanism for 2nd lock cylinder optional

Base:

- Enclosure and base form one unit

Installation options:

- 1 x 3 NH00
- 2 x 3 NH00
- 1 x 3 NH2

In the case of grid loops, double busbar terminals or double V-clamps are used on the supply side of the external conductors. Two individual terminals are used on the PEN conductor.

Product benefits

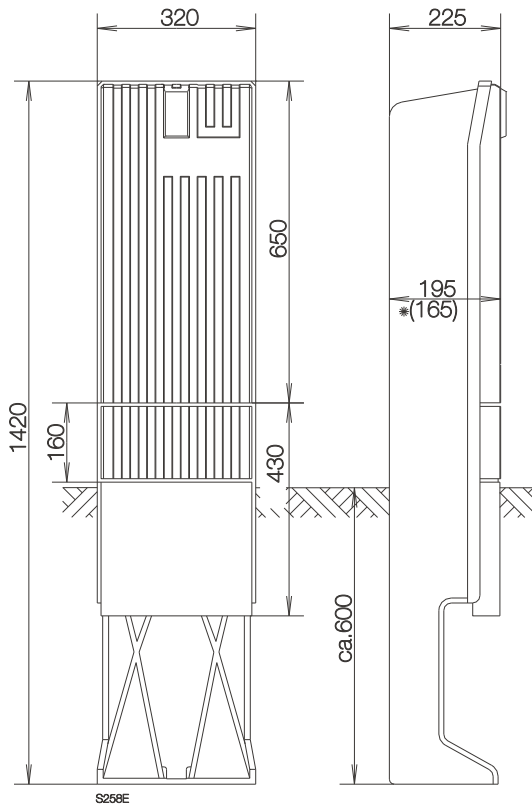
- Low height
- Compact dimensions
- Modern, corrugated design
- Pillar parts can be painted upon request
- Doors are easy to install and remove to and from hinges

House service pillars, series 142

Dimensional drawings

Series 142

93260-0013, 93260-0113, 93260-0213,
93260-0313, 93260-0413, 93260-0513



Order no.		Pre-assembled variants	Input terminals mm ² V-clamps	Output terminals mm ²	Single-locking	Double-locking	1 lock cylinder installed	Split lower front cover	Construction site connection
93260-0013		1 x 3 NH00	10 – 95 se	Pressure plate 10 – 50 se Cu	standard	optional	optional	optional	optional
93260-0113		1 x 3 NH00	35 – 240 se	Pressure plate 10 – 50 se Cu	standard	optional	optional	optional	optional
93260-0213		2 x 3 NH00	2 x 70 – 240 se	Pressure plate 10 – 50 se Cu	standard	optional	optional	optional	optional
93260-0313		2 x 3 NH00	35 – 240 se	Pressure plate 10 – 50 se Cu	standard	optional	optional	optional	optional
93260-0413		1 x 3 NH2	35 – 240 se	Pressure plate 25 – 95 se Cu	standard	optional	optional	optional	optional
93260-0513		1 x 3 NH2	2 x 70 – 240 se	Pressure plate 25 – 95 se Cu	standard	optional	optional	optional	optional

House service box, KH00, in accordance with DIN VDE 0660-505, series K3

System description

Material:

Glass-fibre-reinforced polyester of type FS 803 in accordance with DIN 16911

Colour:

RAL 7035 light grey

Degree of protection:

IP54

Dimensions:

(W x H x D) 245 x 415 x 137 mm

Wall-mounting of enclosure:

4-point internal mounting
optional
3-point external mounting
2-point external mounting

Enclosure cover:

- Hinged, removable in 15°-position
- Glass-fibre-reinforced polyester of type FS 803
- Transparent variant made of polycarbonate optional

Input:

Sealing membrane, M50 knock-outs on right and left side

Output:

- Stepped nipple grommet
- M50 knock-out on right and left side
- One M25 knock-out on top and one on right-hand side

Installation:

- NH00 bases made of ceramic in accordance with DIN 43620
- NH00 contacts on plastic base optional

Input terminals:

Steel-box V-clamps 10 – 95 mm² Al/Cu

Output terminals:

Steel-box flat-clamps 6 – 50 mm² Al/Cu

PEN conductor:

- Terminals as with NH00 bases
- Additional terminal and stepped nipple grommet M25 for PA (M1)
- Separate terminal for PE/N (M2) optional

DSO cover:

- 2-piece DSO cover, can be stored inside box for re-use

Special-purpose variants:

- Enclosure with knock-outs on sides for drop-in conduit bases
- Enclosures with knock-outs on rear side for roof service mast grommet

House service box, KH00, in accordance with DIN VDE 0660-505, series K3

Dimensional drawings

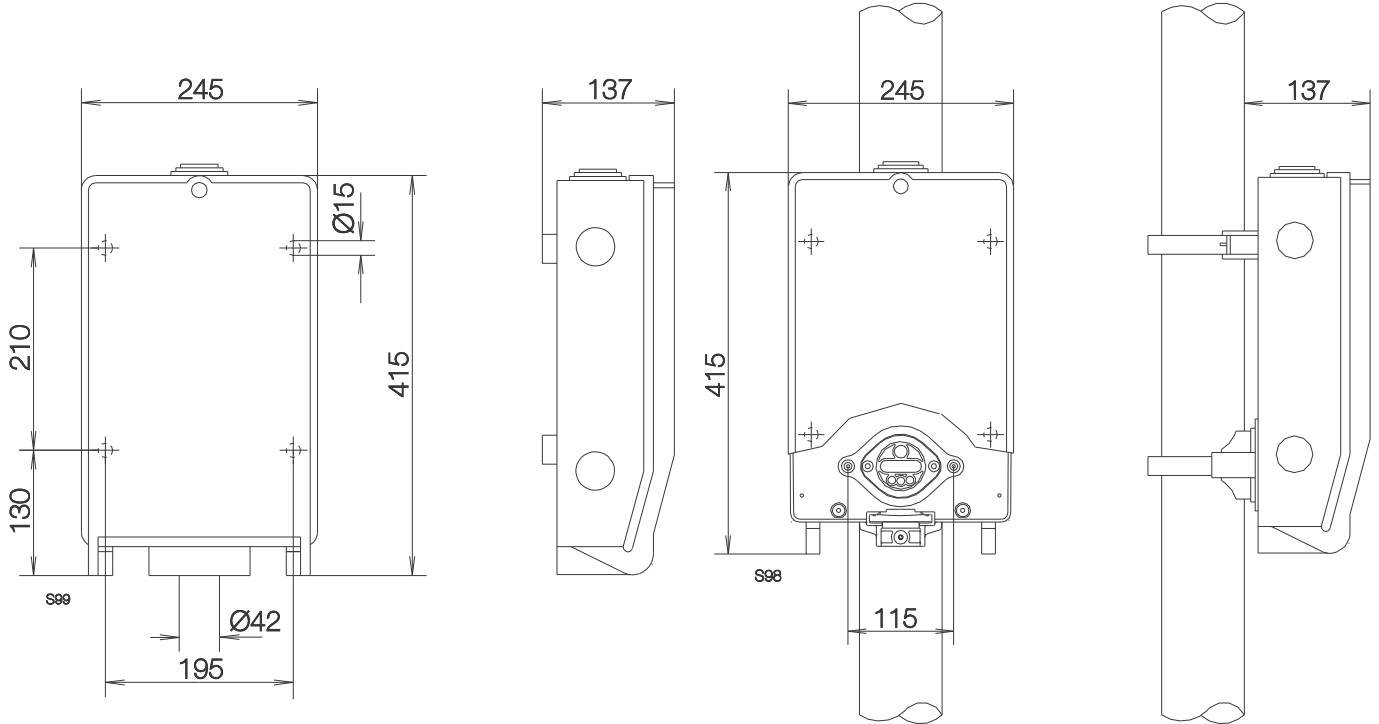
KH00, series K3

with ceramic base, 93403-0053

Conversion kit for roof service mast mounting

(only for enclosures with knock-outs on rear side)

93815-9106, 93815-9108, 93815-9109, 93815-9110, 93810-9111



House service box, KH00, in accordance with DIN VDE 0660-505, series K4

System description

Material:

Glass-fibre-reinforced polyester of type FS 803 in accordance with DIN 16911

Colour:

RAL 7035 light grey

Degree of protection:

IP 54

Dimensions:

(W x H x D) 244 x 400 x 144 mm

Wall-mounting of enclosure:

4-point internal mounting and 3-point external mounting

Enclosure for surface-mounting on outside walls:

- Press-fitted rain cover
- Input and output downward, NH00 bases offset to the right

Enclosure cover:

- Hinged, removable in 15°-position
- Glass-fibre-reinforced polyester of type FS 803
- Transparent variant made of polycarbonate optional

Input:

Sealing membrane, M50 knock-outs on right and left side

Output:

- Stepped nipple grommet
- M50 knock-outs on right and left side
- Two M25 knock-outs on top and one on right-hand side
- Drop-in conduit base M50 with stepped nipple grommet or cable gland
- Elevated drop-in output conduit base with 2 additional output options

Installation:

NH00 bases made of ceramic in accordance with DIN 43620

Input terminals:

Steel-box V-clamps 10 – 95 mm² Al/Cu

Output terminals:

Steel-box flat-clamps 6 – 50 mm² Al/Cu

PEN conductor:

- Terminals as with NH00 bases
- Additional terminal and stepped nipple grommet M25 for PA (M1)
- Separate terminal for PE/N (M2) optional

DSO cover:

- 2-piece DSO cover
- Can be stored inside box for re-use

Special-purpose variants:

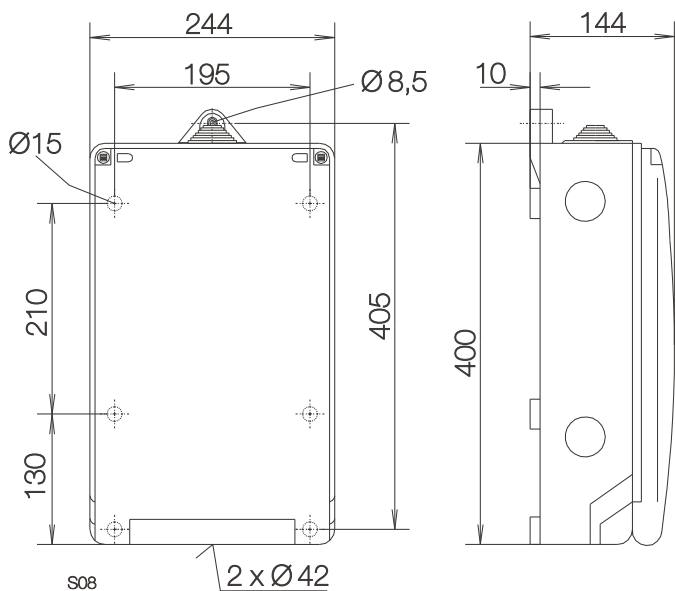
- Enclosure with knock-outs on sides for drop-in conduit bases
- Enclosures with knock-outs on rear side for roof service mast grommet

House service box, KH00, in accordance with DIN VDE 0660-505, series K4

Dimensional drawings

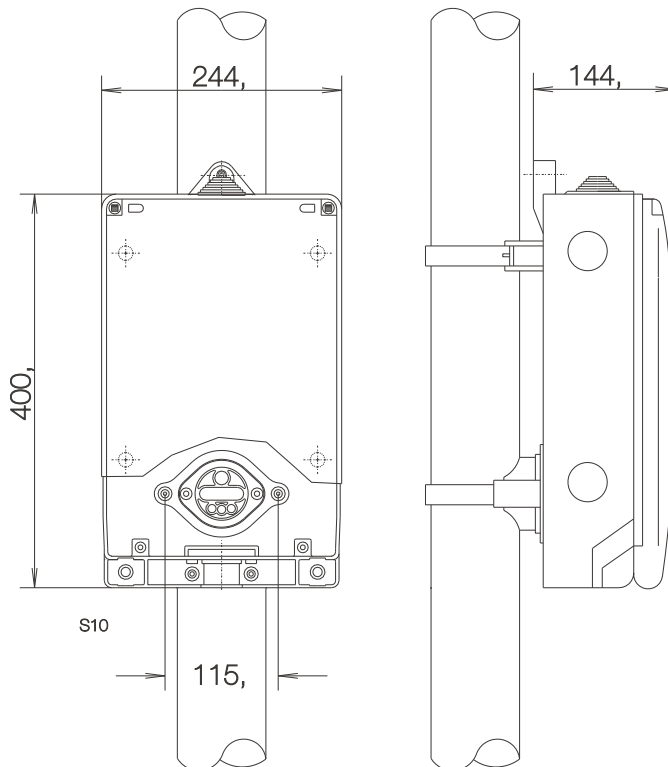
KH00, series K4

Standard type
93404-0003, 93404-0033



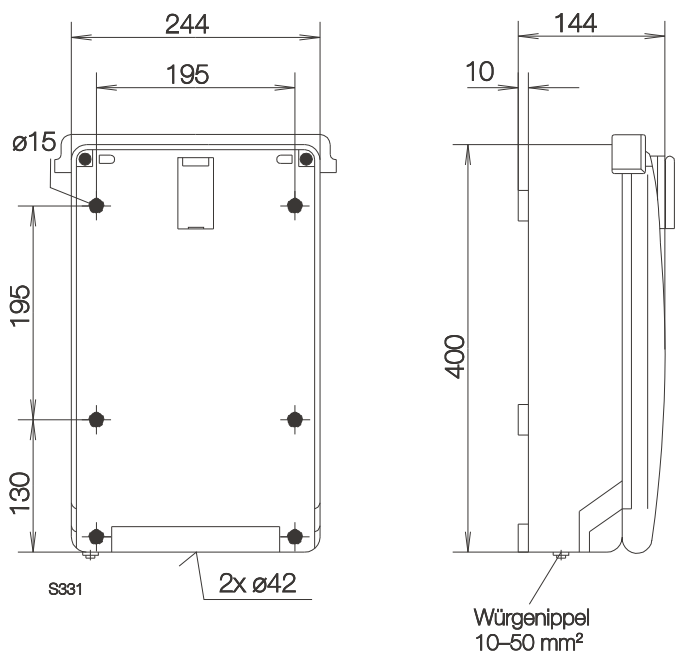
Conversion kit for roof service mast mounting

(only for enclosures with knock-outs on rear side)
93815-9106, 93815-9108, 93815-9109, 93815-9110, 93810-9111



With press-fitted rain cover, 93404-0023

With press-fitted rain cover and locking mechanism, for lock cylinder, 93404-0013



House service box, KH00, KH1 in accordance with DIN VDE 0660-505, series K12

System description

Material:

Glass-fibre-reinforced polyester of type FS 803 in accordance with DIN 16911

Colour:

RAL 7035 light grey

Degree of protection:

IP 54

Dimensions:

(W x H x D) 410 x 720 x 185 mm

Wall-mounting of enclosure:

- 4-point internal mounting
- External mounting with wall tabs optional

Enclosure for surface-mounting on outside walls:

With sheet metal top, input and output downward, NH2 bases offset to the right

Enclosure cover:

- Hinged, removable in 15°-position
- Glass-fibre-reinforced polyester of type FS 803
- Separate consumer space optional
- Transparent variant made of polycarbonate

Input:

- Drop-in conduit base with stepped seal
- Additional drop-in conduit bases for lateral cable inlet on left and right side

Output:

- Drop-in conduit base with stepped seal
- Additional drop-in conduit bases for lateral cable outlet on left and right side

Installation:

- NH00 bases in accordance with DIN 43620
- NH2 bases in accordance with DIN 43620

Input terminals:

- Pressure plates Al/Cu, V-clamps Al/Cu
- Box terminals Al/Cu optional

Output terminals:

- Pressure plates Al/Cu, V-clamps Al/Cu
- Box terminals Al/Cu optional (for NH2 bases)

PEN conductor:

- Terminals as with NH bases
- Additional terminal and stepped nipple grommet M25 for PA (M1)
- Separate terminal for PE/N (M2) optional

DSO cover:

- 1-piece DSO cover
- For 2/3 circuits: 3-piece DSO cover

Special-purpose variants:

Double breaker lugs upstream of NH bases

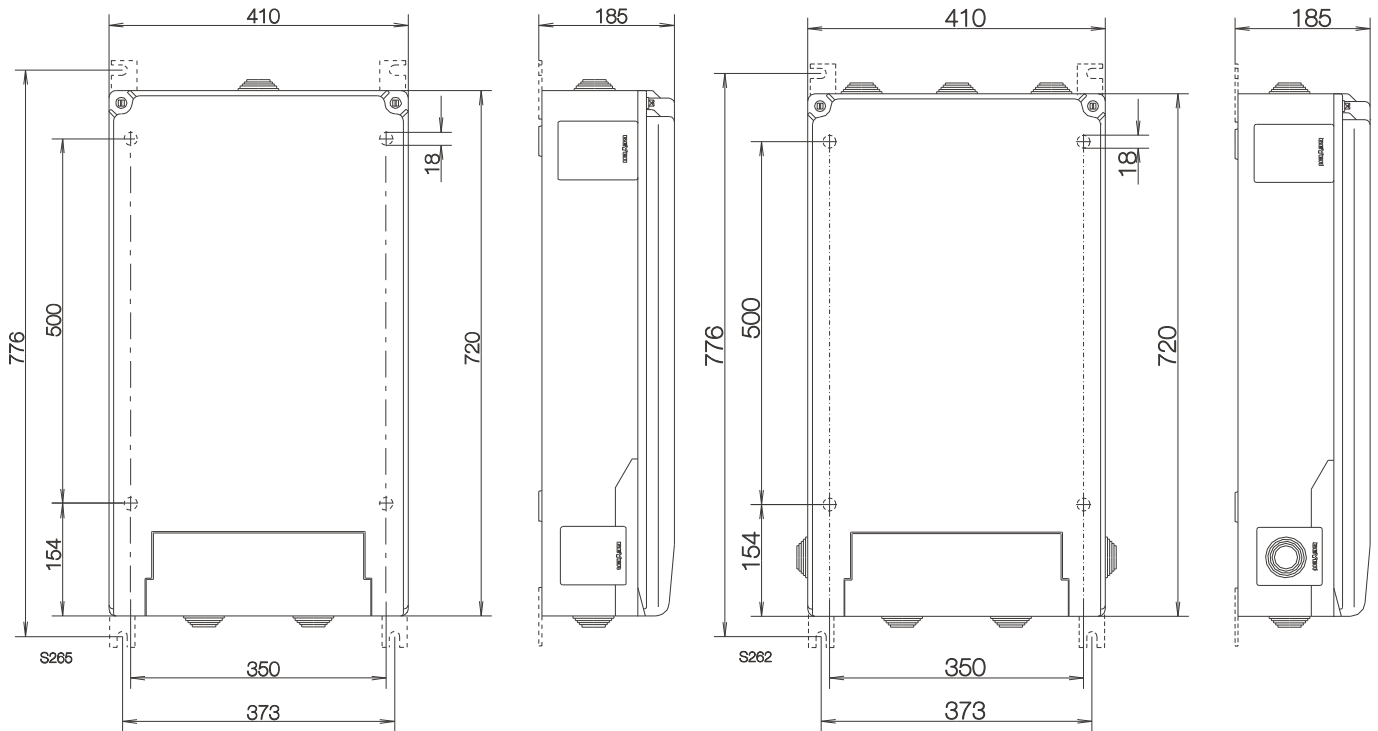
House service box, KH00, KH1, in accordance with DIN VDE 0660-505, series K12

Dimensional drawings

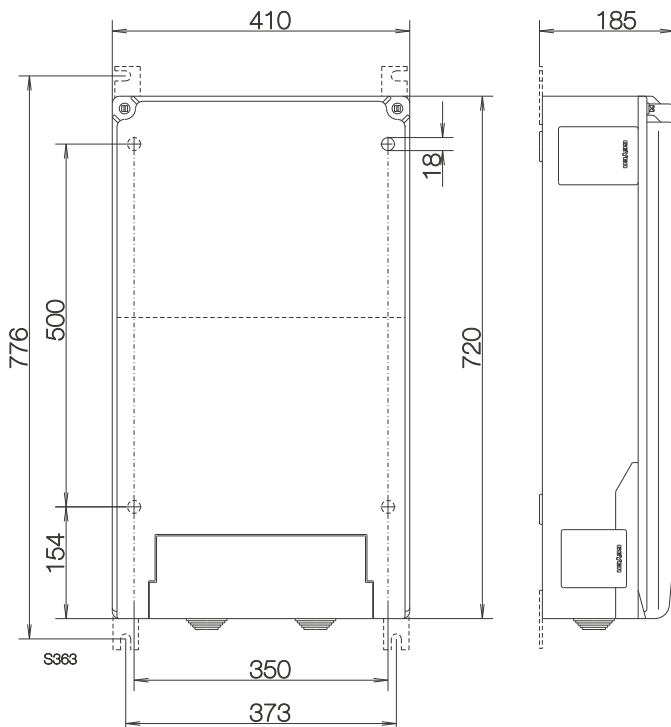
KH00, KH1, series K12

Standard type
 93412-0013, 93412-0053, 93412-0033,
 93412-0003, 93412-0043

with double breaker lugs
 93412-0083, 93412-0073



Enclosure for wall-mounting with sheet-metal rain cover, 93412-0023

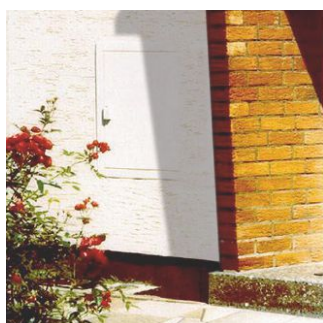




House service equipment

Wall-integrated

Our flush-mounted systems are particularly suitable for space-restricted applications.



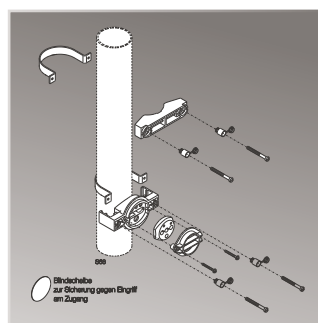
Reliable connection

Our line interface boxes make high-quality connecting points.



On top

Brackets for securing house service boxes to roof masts are available.





More solutions

Flush-mounted house service boxes	76
Overhead-line house service boxes	77
Junction boxes	81
Technical data	82

System

Complementing the range of distribution and house service systems, EFEN offers a multitude of solutions for overhead line boxes and junction boxes. Extend the consistent power supply with these selective products.

Features

Robust quality and a comprehensive range of accessories for any kind of application.

Flush-mounted house service boxes Series K20 in accordance with DIN VDE 0660-505



93420-0100

Flush-mounted house service box WKH 00-A in accordance with DIN 43627-3

▶ Technical data, 82
Dimensional drawing, page 83

Features:

- PEN M1.1 (2 x terminals at output)
- PEN 4.1 (3 x terminals at output) available as an option

Designation	PU	Type	Order no.
Flush-mounted house service box WKH 00-A in accordance with DIN 43627, series K20, 100 A, inlet = 1	1	14430100	93420-0100
Flush-mounted house service box WKH 00-A in accordance with DIN 43627, series K20, 100 A, inlet = 2, loop-through variant	1	14432100	93420-2100

Flush-mounted house service box Series K20, accessories

Flush-mounted house service box WKH 00-A in accordance with DIN 43627-3 Accessories for flush-mounted house service boxes K20

Designation	PU	Type	Order no.
Polystyrene tray for thermal insulation, WKH 00-A, K20	1	35340	93855-5340
Wall staples for plastering WKH00-A/K20, with screws	1	79461	93815-9461
Mounting angle for cavity walls / exterior insulation using screws, wall staples, WKH 00-A, K20	1	75914	93855-5914
Construction site connection with M 50 thread and earth conductor, WKH 00-A, K20	1	49094	93855-9094

Overhead-line house service boxes FAS, FCS in accordance with DIN 43637



93424-0013

Series F14, FCS in accordance with DIN 43637

► Technical data, 84
Dimensional drawing, page 85

Features:

- Cable inlet: Prepared for tube mounting
- Cable output: Drop-in conduit base M50/29
- PEN M1.1: 2 x terminals at output
- Parts to be procured: Inlet kit, see page 80

Designation	PU	Type	Order no.
Overhead-line house service box F14, 1 x cable output, Output: Steel-box flat-clamp 6 – 70 mm ² Al/Cu Input: Steel-box V-clamp 10 – 95 mm ² Al/Cu	1	10612500	93424-0013
Freileitungs-HAK F14, 2 x Kabelabgang Output and input: Pressure plate 10 – 50 mm ² Cu/Al	1	10612600	93424-0023

Series F16, FCS in accordance with DIN 43637

► Technical data, 86
Dimensional drawing, page 87

Features:

- Cable inlet: Prepared for tube mounting
- Cable output: Drop-in conduit base M50/29
- PEN M1.1: 2 x terminals at output
- Parts to be procured: Inlet kit, see page 80

Designation	PU	Type	Order no.
Freileitungs-HAK F16, 2 x Kabelabgang Output and input: Pressure plate 10 – 50 mm ² Cu/Al	1	10612780	93426-0033



93427-0013

Series F17

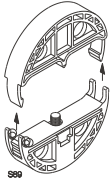
► Technical data, 86
Dimensional drawing, page 87

Features:

- Cable inlet: Prepared for tube mounting
- Cable output: Drop-in conduit base M50/29
- PEN M1.1: 2 x terminals at output
- Parts to be procured: Inlet kit, see page 80

Designation	PU	Type	Order no.
Freileitungs-HAK F17, 2 x Kabelabgang Output and input: Pressure plate 10 – 50 mm ² Cu/Al	1	10613280	93427-0013

Overhead-line house service boxes Accessories for ribbon cable YDSA/NYDY 16/25/35 mm²



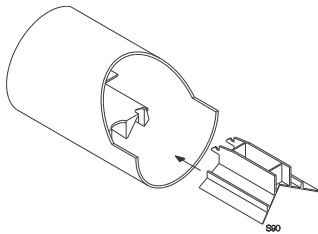
93815-6929

Spacing discs in acc. with DIN 43/637

Features:

- Sets the spacing of the conductors to the roof service mast

Designation	PU	Type	Order no.
Spacing disc for ribbon cable YDSA/NYDY, DIN 43637, for roof service masts with 3 1/2" tube, for conductors 4 x 16 mm ² + control line, 2-piece variant, snaps onto ribbon cable	1	86929	93815-6929
Spacing disc for ribbon cable YDSA/NYDY, DIN 43637, for roof service masts with 3" tube, for conductors 4 x 16 - 35 mm ² + control line	1	86919	93815-6919
Spacing discs in acc. with DIN 43637 for overhead-line house service boxes, 3 1/2" tube, conductors 4 x 16 mm ² , ribbon cable YDSA/NYDY 16/25/35 mm ²	1	86930	93815-6930
Spacing disc for ribbon cable YDSA/NYDY, DIN 43637, for roof service masts with 3 1/2" tube, for conductors 4 x 16 - 35 mm ² + control line	1	86920	93815-6920



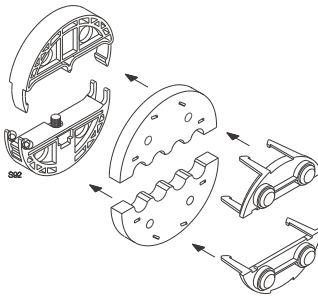
93815-6911

Diverter DSU DIN 43637

Features:

- For diverting the feed line at a specified spacing in the area of the roof service mast opening

Designation	PU	Type	Order no.
Diverter DSU DIN 43637 for 3" - 3 1/2" tube, ribbon cable YDSA/NYDY 16/25/35 mm ² , for conductors 4 x 16/25/35 mm ² + 2 control lines	1	86911	93815-6911
Diverter DSU DIN 43637 for 3" - 3 1/2" tube, ribbon cable YDSA/NYDY 16/25/35 mm ² , for conductors 4 x 16/25/35 mm ² + 2 control lines, without spacer for control lines	1	86925	93815-6925



93815-6921

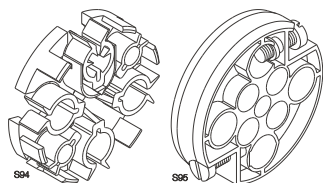
Insulating discs

Features:

- Reduces water condensation inside the roof service mast
- Complete with spacing disc and snapped-on tube sealing kit

Designation	PU	Type	Order no.
Insulating disc kit for roof service mast, 3" tube, single-strand line 4 x 16 mm ²	1	86921	93815-6921
Insulating disc kit for roof service mast, 3 1/2" tube, conductor 4 x 35 mm ² , ribbon cable YDSA/NYDY 16/25/35 mm ²	1	86933	93815-6933

Overhead-line house service boxes Accessories for single-strand line 10 – 70 mm²



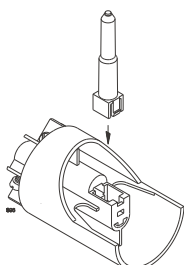
93815-6916

Spacing discs in acc. with DIN 43/637

Features:

- Ensures the correct spacing of conductors inside the roof service mast

Designation	PU	Type	Order no.
Spacing disc for single-strand line 10 – 70 mm ² , DIN 43637, for roof service masts with 3" tube, for conductors 16 – 35 mm ² + control line	1	86916	93815-6916
Spacing disc for single-strand line 10 – 70 mm ² , DIN 43637, for roof service masts with 3" tube, for conductors 10 – 50 mm ² + control line	1	86917	93815-6917
Spacing disc for single-strand line 10 – 70 mm ² , DIN 43637, for roof service masts with 3 1/2" tube, for conductors 16 – 35 mm ² + control line	1	86915	93815-6915
Spacing disc for single-strand line 10 – 70 mm ² , DIN 43637, for roof service masts with 3 1/2" tube, for conductors 10 – 50 mm ² + control line	1	86914	93815-6914
Spacing discs in acc. with DIN 43 637 for overhead-line house service boxes, 3 1/2" tube, conductors 4 x 16 mm ² , single-strand line 10 – 70 mm ²	1	86913	93815-6913



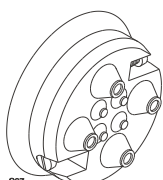
93815-6912

Diverter DSU DIN 43637

Features:

- For diverting the feed line at a specified spacing in the area of the roof service mast opening

Designation	PU	Type	Order no.
Diverter DSU DIN 43637 for 3" – 3 1/2" tube, single-strand line 10 – 70 mm ² , for conductor 10 – 50 mm ² , screw-type attachment (4)	1	86912	93815-6912



93815-6924

Insulating discs

Features:

- Reduces water condensation inside the roof service mast
- Is supplied as complete insulating disc comprising spacing disc and fitted tube seal

Designation	PU	Type	Order no.
Insulating disc kit for roof service mast, 3" tube, single-strand line 10 – 50 mm ²	1	86924	93815-6924
Insulating disc kit for roof service mast, 3 1/2" tube, single-strand line 16 – 70 mm ²	1	86934	93815-6934

Insulating discs

Features:

- For plastic-insulated multiple-strand cables and shielded lines

Designation	PU	Type	Order no.
Insulating disc for single-strand line 10 – 70 mm ² , for plastic-insulated multiple-strand cables and shielded lines, 3 1/2" tube, for conductors 4 x 16 mm ² + control line	1	86935	93815-6935

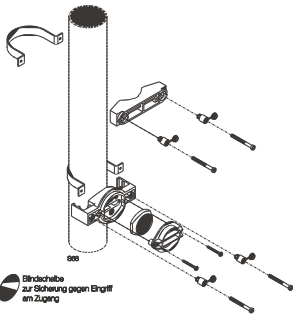
Lubricant

Features:

- Lubricating paste making it easier to feed in the insulating discs without causing damage

Designation	PU	Type	Order no.
Lubricating paste assisting in feeding-in insulating discs without causing damage (50 gr. tube)		10547	93815-0547

Overhead-line house service boxes Accessories




 Störschraube
zur Sicherung gegen Einfall
am Zugang
 93815-9106

Conversion kits

Features:

- For house service boxes of series K3 and K4
- Allows house service boxes to be mounted to overhead line masts
- Sealed, with spaced grommet inlet

Designation	PU	Type	Order no.
Conversion kit K3/K4 for overhead line – single-strand line 4 x 16 – 50 mm ²	1	49106	93815-9106
Conversion kit K3/K4 for overhead line – ribbon cable 4 x 16 mm ²	1	49109	93815-9109
Conversion kit K3/K4 for overhead line – ribbon cable 4 x 25/35 mm ²	1	49110	93815-9110
Conversion kit for roof service mast mounting of house service box, open inlet	1	49108	93810-9108

Inlet kit

Features:

- For overhead-line house service boxes of series F14 if specifically prepared for this purpose and for series F16/17

Designation	PU	Type	Order no.
Conversion kit F14/F16/F17 for overhead line – single-strand line 4 x 16 – 50 mm ²	1	49139	93815-9139
Conversion kit F14/F16/F17 for overhead line – ribbon cable 4 x 16 mm ²	1	49145	93815-9145
Conversion kit F14/F16/F17 for overhead line – ribbon cable 4 x 25 mm ² / 35 mm ²	1	49146	93815-9146
Conversion kit F14/F16/F17 for overhead line without spacing and seal for tube attachment	1	49141	93815-9141



93815-6409

Seal of line inlet for overhead-line house service boxes

Features:

- For single-strand lines 16 – 50 mm²

Designation	PU	Type	Order no.
Seal for line inlet, pressure plate, single-strand line 16 – 50 mm ²	1	46409	93815-6409
Seal for line inlet, sealing plate, ribbon cable 16 – 35 mm ²	1	41061	93815-1061



93815-6454

Seal of line inlet for overhead-line house service boxes

Features:

- For ribbon cables 16 – 35 mm²

Designation	PU	Type	Order no.
Seal for line inlet, pressure plate, ribbon cable 16 – 35 mm ²	1	46454	93815-6454
Sealing plate for ribbon cable 16 mm ² , for overhead-line house service box	1	41117	93815-1117
Sealing plate for ribbon cable 25/35 mm ² , for overhead-line house service box	1	41118	93815-1118



93815-9606

Clamps for roof service mast with 3 – 3 1/2" tube

Features:

- For ribbon cables 16 – 35 mm²

Designation	PU	Type	Order no.
Clamps for roof service mast with 3 – 3 1/2" tube, top part	1	49606	93815-9606
Insulating disc kit for roof service mast, 3" tube, conductors 10 – 50 mm ²	1	49635	93815-9635



93815-9635

Junction boxes



93430-0043

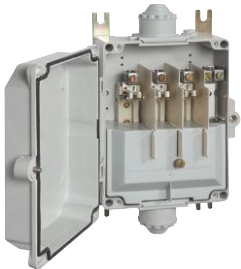
Series F4

► Technical data, 88
Dimensional drawing, page 89

Features:

- Dimensions (W x H x D): 180 x 160 x 100 mm
- Hinged door with drilled bolt for sealing wire
- 1 input and output: Intermediate conduit base with nipple grommet Pg21

Designation	PU	Type	Order no.
Kleinanschlusskasten, Leitungsübergangskasten F4,1 x 3DII, 15 A, 1 x input and output, input: Terminal 4 – 10 mm ² Al/Cu, output: 2.5 – 10 mm ² Al/Cu,	1	14610700	93430-0043



93431-0073

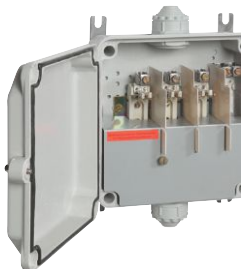
Series F7

► Technical data, 88
Dimensional drawing, page 89

Features:

- Dimensions (W x H x D): 180 x 233 x 110 mm
- Hinged door with drilled bolt for sealing wire
- 1 input and output: Drop-in conduit base Pg36/29

Designation	PU	Type	Order no.
Kleinanschlusskasten, Leitungsübergangskasten F7,1 x 3NH00, 63 A, 1 x input and output, Input: Steel-box V-clamp 10 – 95 mm ² Al/Cu Output: Flat steel box clamp 6 – 70 mm ² Al/Cu	1	14630200	93431-0073



93432-0103

Series F10

► Technical data, 88
Dimensional drawing, page 89

Features:

- Dimensions (W x H x D): 235 x 245 x 110 mm
- Hinged door with drilled bolt for sealing wire
- 1 input and output: Intermediate flange with nipple grommet M50/29

Designation	PU	Type	Order no.
Kleinanschlusskasten, Leitungsübergangskasten F10,1 x 3NH00, 63 A, 1 x input and output, Input: Steel-box V-clamp 10 – 95 mm ² Al/Cu Output: Flat steel box clamp 6 – 70 mm ² Al/Cu	1	14630400	93432-0103

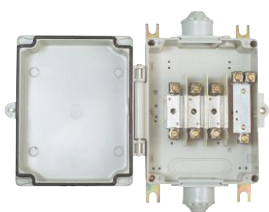
Series F14

► Technical data, 88
Dimensional drawing, page 89

Features:

- Dimensions (W x H x D): 235 x 300 x 130
- Hinged door with drilled bolt for sealing wire
- 1 input and output: Drop-in conduit base M50/29

Designation	PU	Type	Order no.
Junction box, line interface box F14,1 x 3 NH00, 100 A, 2 outputs, 1 x input and output, pressure plates 10 – 50 mm ² Cu/Al	1	14635211	93433-0143



93490-0000

Line interface boxes, protection class IP54

Features:

- Enclosure: Glass-fibre-reinforced polyester of type FS 803 in accordance with DIN 16911
- Dimensions (W x H x D): 235 x 180 x 110 mm
- Hinged door with drilled bolt for sealing wire
- Protection class IP54
- Input and output: Drop-in conduit base M50/29
- Steel-box flat-clamps 6 – 70 mm²
- 5 individual terminals (L1, L2, L3, N, PE) available as an option

Designation	PU	Type	Order no.
Line interface boxes IP54, standard variant	1	26123119	93490-0000

Flush-mounted house service box Series K20

Variant:

Degree of protection: IP54
Enclosure made of pressed polyester mass of type 833.5, with polystyrene tray for thermal insulation

Colour:

Aluminium with synthetic-resin base coat, RAL 9010 pure white

Dimensions:

(W x H x D) 408 x 488 x 170 mm

Locking mechanism:

Box lock with rain cover, prepared for lock cylinder

Input:

1 or 2 inlet grommets with membrane seal

Output:

Separately provided nipple grommets with knock-outs for top or bottom output right/left/rear

Installation:

NH00 ceramic bases in accordance with DIN 43620

Input terminals:


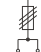
Steel-box V-clamps 10 – 95 mm² Al/Cu

Output terminals:

Steel-box flat-clamps 6 – 70 mm² Al/Cu

PEN conductor:

Terminals as with NH bases, additional terminal for POT and nipple grommet M25 (M 1.1), additional terminal for earth conductor (M 4.1) optional

Order no.		Pre-assembled variants	Cable inlets	Input terminals mm ²	Output terminals mm ²
93420-0100		1 x 3 NH00 I _n = 100 A	1	Steel-box V-clamp 10 – 95 mm ² Al/Cu	Steel-box flat-clamp 6 – 70 mm ² Al/Cu
93420-2100		1 x 3 NH00 I _n = 100 A	2	2 x pressure plate 10 – 50 mm ² Al/Cu	Pressure plate 6 – 70 mm ² Al/Cu

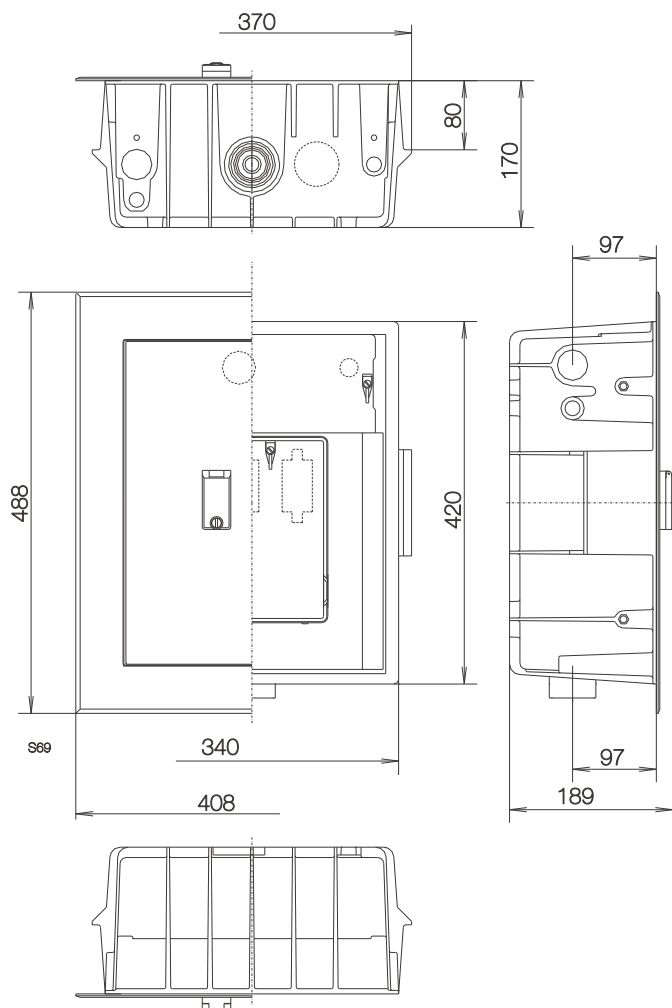
Product benefits

- Interface between public grid and consumer system
- Suitable for installation in outer walls
- Degree of protection: IP54

Flush-mounted house service box

Dimensional drawing

Series K20



Overhead-line house service boxes Series F14

Variant:

Degree of protection: IP54
Glass-fibre-reinforced polyester of type FS 803

Colour:

RAL 7035 light grey

Dimensions:

(W x H x D) 235 x 300 x 130 mm

Enclosure cover:

Glass-fibre-reinforced polyester of type FS 803

Input/mounting types:

(optional, accessory):

Tube clamp bottom parts for attachment to roof service mast, press-fitted with 2 steel top parts for 3 – 3 1/2" tubes, inlet grommet, either open and unsealed (N-type) or sealed with spacers

Output:

Drop-in conduit base, elevated base with sealing nipple optional

Installation:

NH00 ceramic bases in accordance with DIN 43620

Input terminals:

Pressure plates 10 – 50 mm² Al/Cu

Output terminals:

Pressure plates 10 – 50 mm² Al/Cu

Knock-outs:

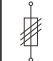
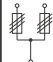
Knock-outs for M50 conduits in sidewalls at top and bottom

PEN conductor:

Terminals as with NH bases, additional terminal for POT and nipple grommet M25 (M 1.1), additional terminal for earth conductor (M 4.1) optional

Special-purpose variants:

Enclosure prepared for the installation of street lighting elements, fits one or two street lighting elements of size D0 if tube-mounted and if used for only one circuit.

Order no.		Variants including installation	Cable outlets	Input terminals mm ²	Output terminals mm ²
93424-0013		1 x 3 NH00 I _n = 100 A	1	Steel-box V-clamp 10 – 95 mm ² Al/Cu	Steel-box flat-clamp 6 – 70 mm ² Al/Cu
93424-0023		1 x 3 NH00 ΣI _n = 100 A	2	Pressure plate 10 – 50 mm ² Al/Cu	2 x pressure plate 10 – 50 mm ² Al/Cu

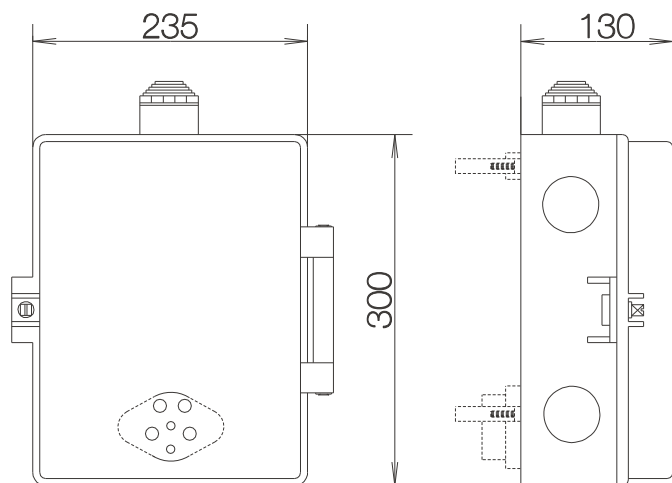
Product benefits

- Interface between public grid and consumer system
- Protection class IP54 for all series

Overhead-line house service boxes

Dimensional drawing

Series F14



Overhead-line house service boxes Series F16/17

Variant:

Degree of protection: IP54
Glass-fibre-reinforced polyester of type FS 803

Colour:

RAL 7035 light grey

Dimensions:

F16: (W x H x D) 313 x 313 x 170 mm
F17: (W x H x D) 313 x 470 x 170 mm

Enclosure cover:

Glass-fibre-reinforced polyester of type FS 803, clear cover made of polycarbonate optional

Input/mounting types:

Tube-mounting clamps of roof service masts, 3 – 3 1/2“ upper and lower part, inlet grommet included but not installed

Output:

Intermediate conduit base with nipple grommet

Installation:

NH00 bases in accordance with DIN 43620
NH2 bases in accordance with DIN 43620

Input terminals:

Pressure plates Al/Cu

Output terminals:

Pressure plates Al/Cu

Knock-outs:

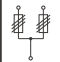
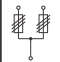
Knock-outs for M50 conduits in sidewalls at top and bottom

PEN conductor:

Terminals as with NH bases, additional terminal for POT and nipple grommet M25 (M 1.1), additional terminal for earth conductor (M 4.1) optional

Special-purpose variants:

Enclosure prepared for installation of street lighting elements, tube-mounting only.

Order no.		Pre-assembled variants	Cable outlets	Input terminals mm ²	Output terminals mm ²
93426-0033		2 x 3 NH00 $\sum I_n = 100 \text{ A}$	2	Pressure plate 10 – 50 mm ² Al/Cu	2 x pressure plate 10 – 50 mm ² Al/Cu
93427-0013		2 x 3 NH00 $\sum I_n = 2 \times 100 \text{ A}$	2	Pressure plate 10 – 50 mm ² Al/Cu	2 x pressure plate 10 – 50 mm ² Al/Cu

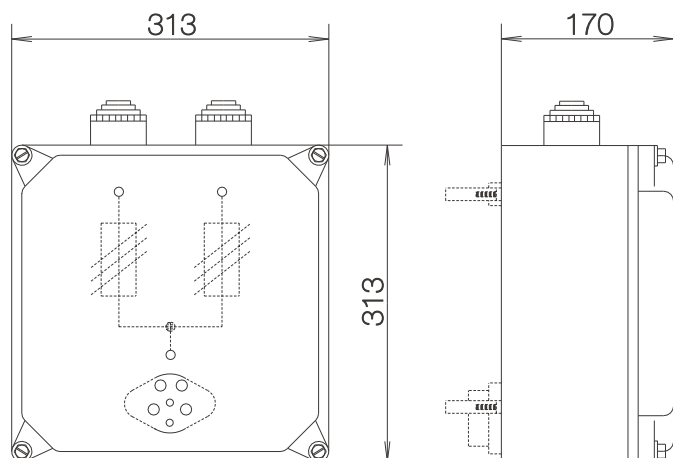
Product benefits

- Interface between public grid and consumer system
- Protection class IP54 for all series

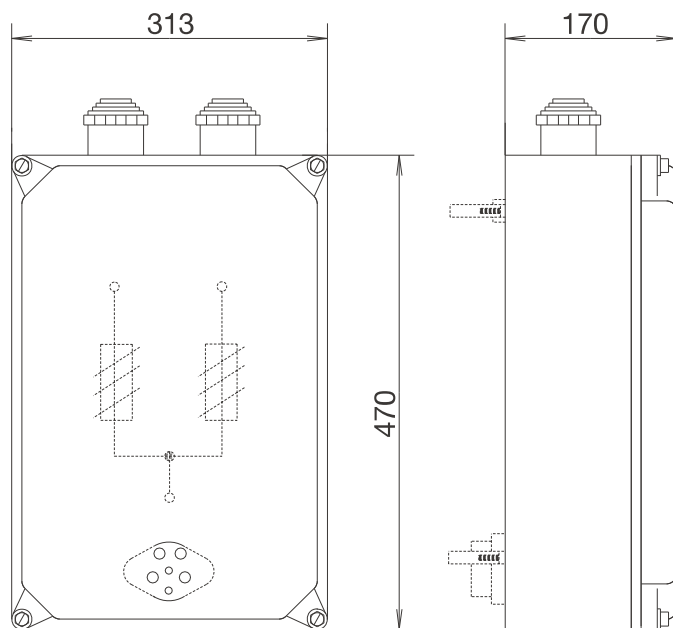
Overhead-line house service boxes

Dimensional drawings

Series F16



Series F17



Junction boxes Series F4, F7, F10, F14

Variant:

Degree of protection: IP54

Glass-fibre-reinforced polyester of type FS 803 in accordance with DIN 16911

Colour:

RAL 7035 light grey

Installation:

NH00 bases, D-elements




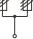
Mounting type:

4-point external mounting

Equipment:

When fitted with D-elements:

 Interior cover against contact
with plug-in DSO cover

Order no.		Pre-assembled variants	Cable inputs	Cable outlets	Input terminals mm ²	Output terminals mm ²	Terminals
93430-0043		1 x 3 DII 25 A	1	1	4 – 10 mm ²	2.5 – 10 mm ² (terminal)	PE/N terminal
93431-0073		1 x 3 NH00 I _n = 63 A	1	1	Steel-box V-clamp 10 – 95 mm ² Al/Cu	Steel-box flat-clamp 6 – 70 mm ² Al/Cu	PEN/N M1.1: 2 x terminal / nipple grommet Pg 13.5 top right
93432-0103		1 x 3 NH00 I _n = 63 A	1	1	Steel-box V-clamp 10 – 95 mm ² Al/Cu	Steel-box flat-clamp 6 – 70 mm ² Al/Cu	PE/N M1: 2 x terminal
93433-0143		1 x 3 NH00 ∑I _n = 100 A	1	2	Pressure plate 10 – 95 mm ² Al/Cu	2 x pressure plate 10 – 50 mm ² Al/Cu	PE/N M1.1: 2 x terminal / nipple grommet Pg 16 (POT)

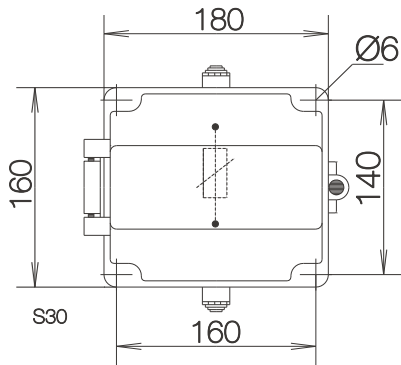
Product benefits

- Interface between public grid and consumer system
- Protection class IP54 for all series

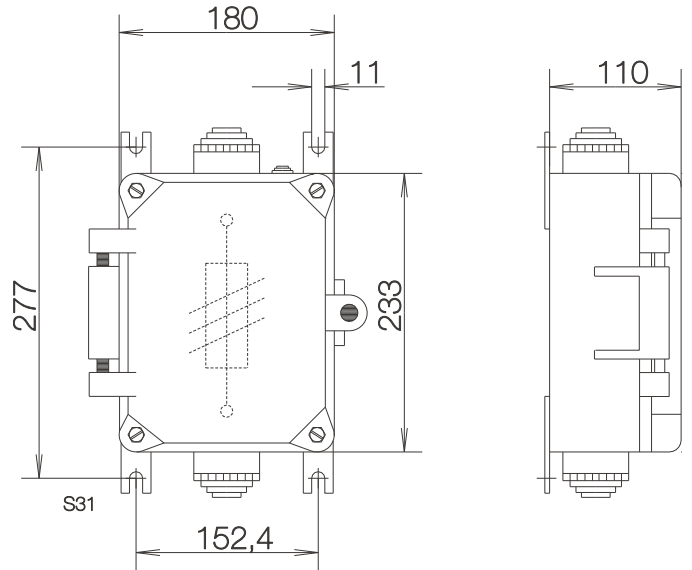
Overhead-line house service boxes

Dimensional drawings

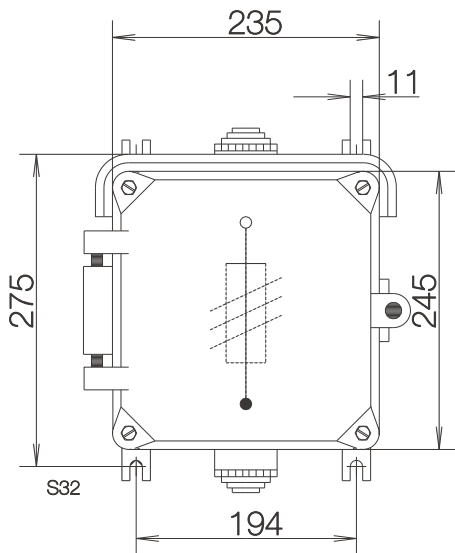
Series F4



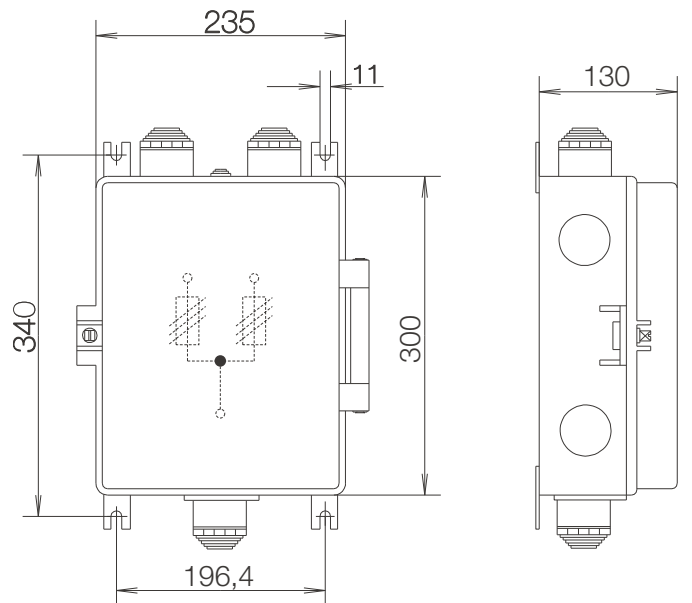
Series F7



Series F10

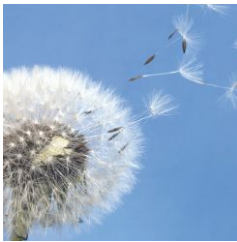


Series F14





IN THE LINE OF POWER



Efficient distribution

When it comes to reliable power supply, replacing nuclear power with renewable energy is one of the greatest challenges. EFEN offers end-to-end solutions for safety interfaces – from power generation to power storage to selective consumer control.



Reliable protection

Reliable protection for people and assets is a key requirement of any power distribution system. Comprehensive solutions from EFEN ensure maximum safety in all areas of power supply, infrastructure and industry.



Smart control

More energy efficiency for reduced peak loads and lower energy costs. Early-warning systems keep unplanned plant downtimes to a minimum. Smart solutions from EFEN ensure reliable communication and maximum availability of power distribution systems.

EFEN GmbH
Schlangenbader Str. 40
65344 Eltville, Germany
Tel. + 49 (0) 6129-46 -0
Fax + 49 (0) 6129-46-222
e-Mail: efen@efen.com
www.efen.com

Slovakia
EFEN Slovakia s.r.o
Odborárska 3
831 02 Bratislava
Slovensko/Slovakia
Tel. 00421 55 633 9898
Fax 00421 55 633 9898
e-Mail: efen@nexta.sk

Logistic - Center
EFEN GmbH
Gewerbepark Nord 6
04938 Uebigau
Germany
Tel. +49 35365 893 0
Fax +49 35365 893 35
e-Mail: efen@efen.com

Hungary
EFEN Division
Guba Sándor u. 87
7400 Kaposvár
Hungary
Tel. +36-82-417559
Fax +36-82-417529
e-Mail: info@efen-hungaria.hu

Austria
EFEN GmbH
Prinzgasse 1/29/9
1220 Wien
Austria
Tel.: +43 (0) 676-9768-100
Fax: +43 12533033 3366
e-Mail: suchacek@efen.com

China
EFEN Shanghai Office
800 Shangchen Rd (1090 New Century Ave)
Room 517 CIMIC Building Shanghai 200120
China
Tel. +86 21 6575-8878
Fax +86 21 6575-8876
e-Mail: efen-shanghai@efen.com.cn

Poland
EFEN zo.o.
Aleja Młodych 26-28
41-106 Siemianowice Slaskie
Poland
Tel. +48 32 201 09 42
Fax +48 32 220 00 64
e-Mail: efen@efen.com.pl

