

DATA SHEET: TEMBREAK 2 L125-NJ MCCB

MCCB Electrical Characteristics to IEC 60947-2, EN 60947-2, JIS C 8201-2-1 ANN.1, AS/NZS 3947-2, NEMA AB-1

| Frame Reference | Quantity | Unit | Condition | TB2 S/H/L 250 |
|--|--------------------------|------------------|--|-------------------------------------|
| Max In (A) of Frame | | | | 125 |
| Model | | | | L125 |
| Number of Poles | | | | 3,4 |
| Type | | | | NJ |
| Nominal current ratings | | | | |
| | I_n | (A) | 50°C | 20, 32, 50, 63, 100, 125 |
| Electrical characteristics | | | | |
| Rated operational voltage | U_e | (A) | AC 50/60 Hz DC | 690 250 |
| Rated insulation voltage | U_i | (V) | | 800 |
| Rated impulse withstand voltage | U_{imp} | (kV) | | 8 |
| Ultimate breaking capacity (IEC, JIS, AS/NZS) | I_{cu} | (kA) | 690V AC 525V AC 440V AC 400/415V AC 220/240V AC 250V DC | 25 65 180 200 200 40 |
| Service breaking capacity (IEC, JIS, AS/NZS) | I_{cs} | (kA) | 690V AC 525V AC 440V AC 400/415V AC 220/240V AC 250V DC | 20 65 135 150 150 40 |
| Rated breaking capacity (NEMA) | | (kA) | 480V AC 240V AC | 65 200 |
| Protection | | | | |
| Adjustable thermal, adjustable magnetic | | | | ■ |
| Fixed thermal, fixed magnetic | | | | |
| Microprocessor | | | | |
| Utilisation category | | | | A |
| Installation | | | | |
| Front connection (FC) | | | | ■ |
| Extension bar (FB) | | | | ● |
| Cable clamp (FW) | | | | ● |
| Rear connecton (RC) | | | | ● |
| Plug-in (PM) | | | | ● |
| Din rail mounting (DA) | | | | - |
| Dimensions | height | (mm) | 3 pole, (1 pole) | 165 |
| | width | (mm) | 4 pole | 105 |
| Weight | depth | (mm) | | 140 |
| | weight | (kg) | 3 pole, (1 pole) | 103 |
| | | | 4 pole | 2.4 3.2 |
| Operation | | | | |
| Direct Opening Action | | | | ■ |
| Toggle operation | | | | ■ |
| Door mounted (HS) / breaker mounted handle (HB) | | | | ● |
| Motor operation (MC) | | | | ● |
| Endurance | Electrical Mechanical | cycles cycles | 415V AC | 30,000 30,000 |

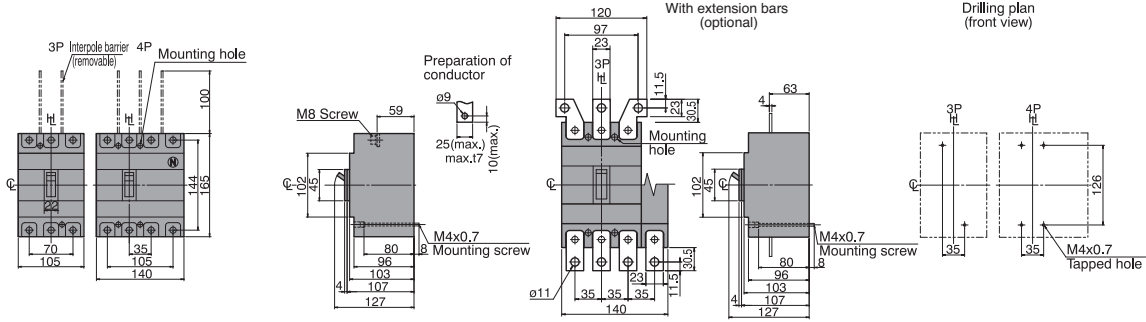
■ Standard ● Optional - Not Available

DATA SHEET: TEMBREAK 2 L125-NJ MCCB

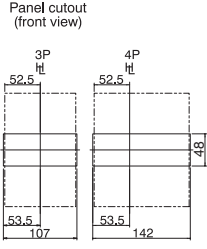
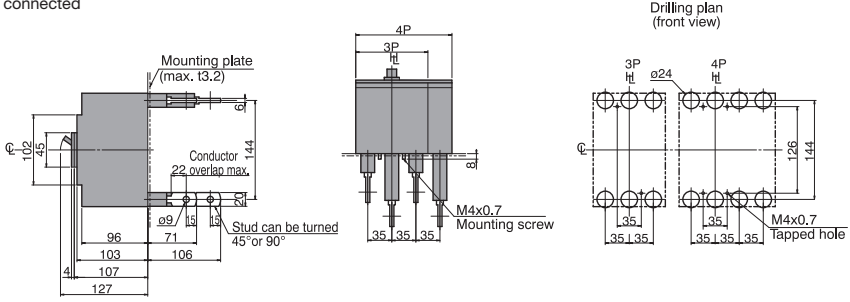
Outline Dimensions L125-NJ

ASL: Arrangement Standard Line HL: Handle Frame Centre Line

Front connected

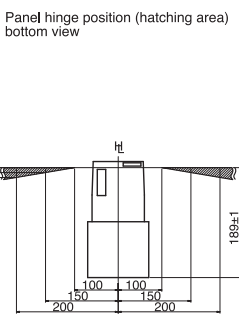
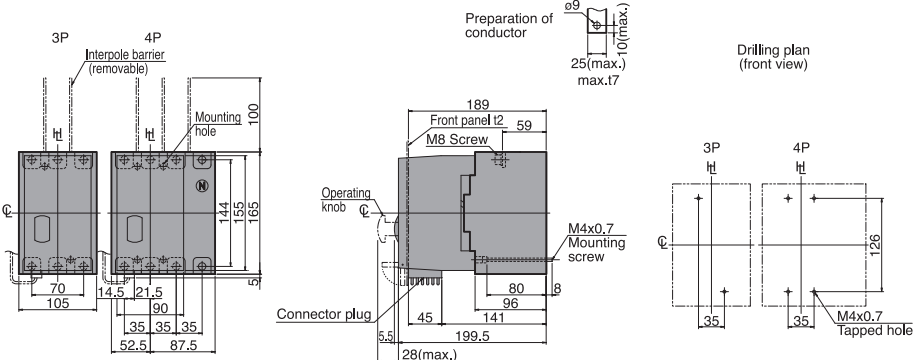


Rear connected

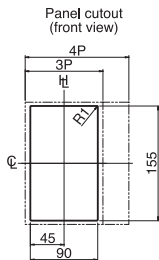
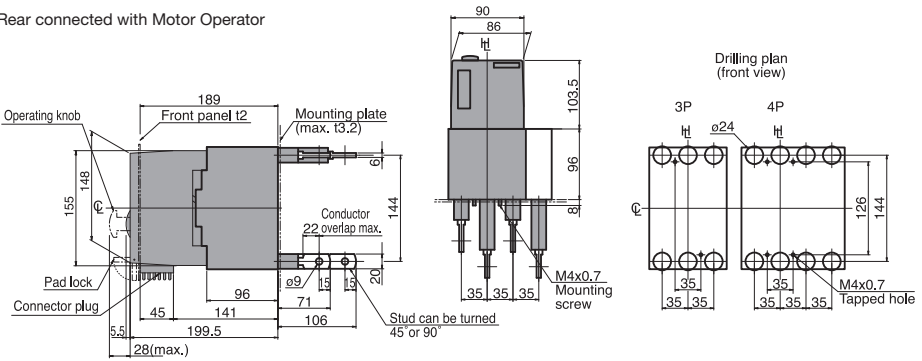


Panel cutout dimensions shown give an allowance of 1.0mm or more around the handle escutcheon.

Front connected with Motor Operator



Rear connected with Motor Operator



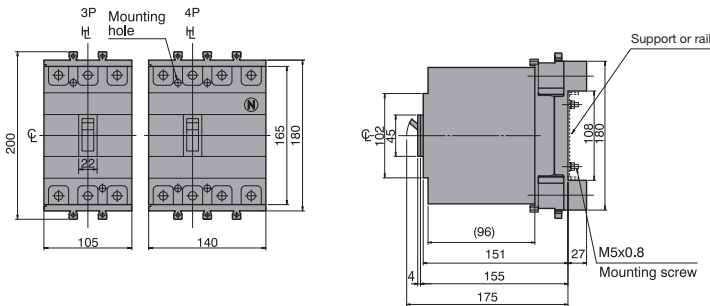
Panel cutout dimensions shown give an allowance of 1.5mm around the handle escutcheon.

DATA SHEET: TEMBREAK 2 L125-NJ MCCB

Outline Dimensions L125-NJ Plug-in Version

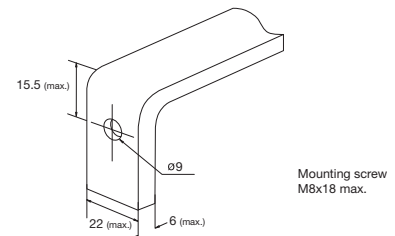
ASL: Arrangement Standard Line \perp : Handle Frame Centre Line

Outline Dimensions

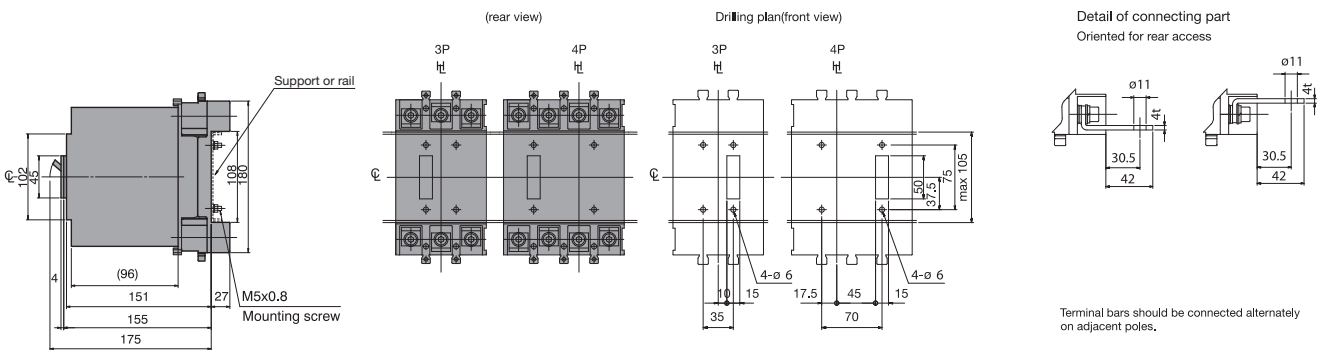


Termination of Busbar

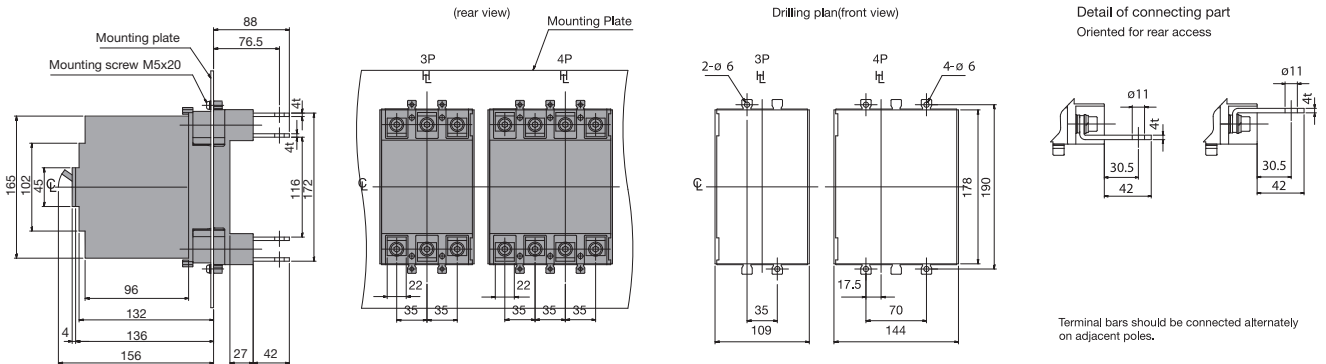
Preparation of conductor



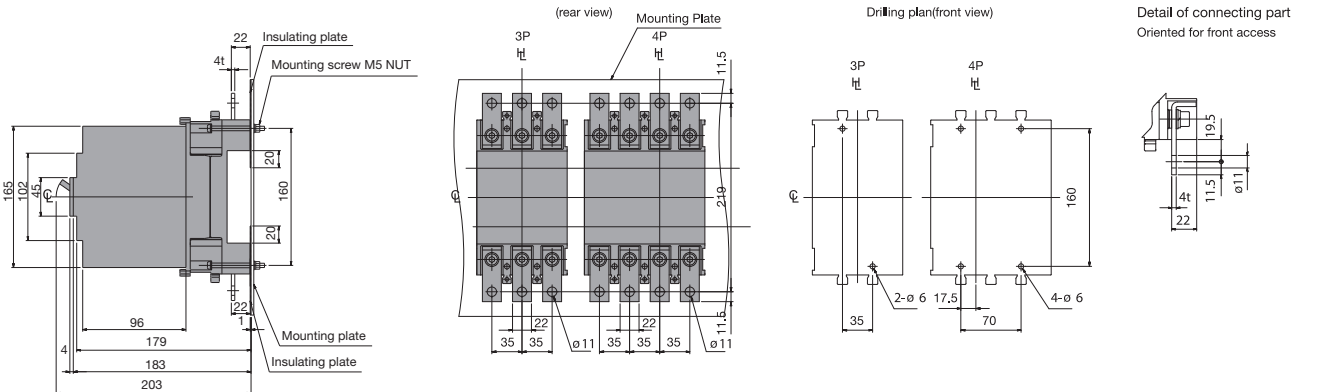
Mounting on a support or rails (shown with optional connection bars oriented for rear access)



Mounting through the backplate (shown with optional connection bars oriented for rear access)



Mounting on the backplate (optional connection bars must be oriented for front access)



DATA SHEET: TEMBREAK 2 L125-NJ MCCB

Time/Current Characteristic Curves

L125-NJ

