

Green Quality

NH Fuse-Switch, horizontal design, with big sliding window for different modes of mounting



NH Fuse-Switch, horizontal design with electronic fuse monitoring



Size 000: Compact design for all applications



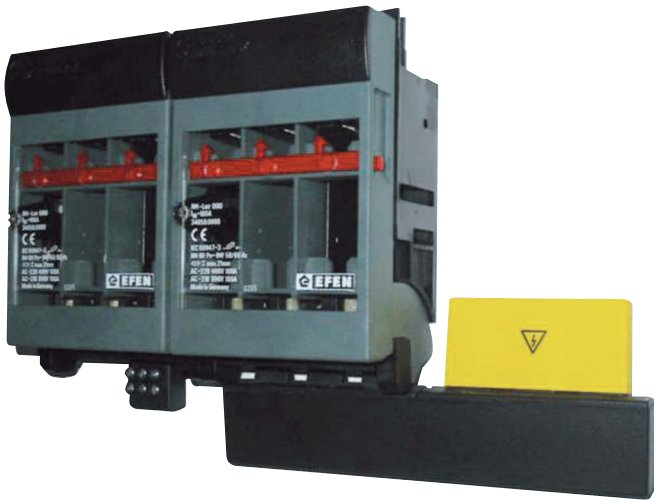
NH Fuse-Switches, 4-pole switching in the sizes 00 up to 4a for baseplate mounting available



Content

NH Fuse-Switches NT-IN, horizontal design

NH Fuse-Switches, 1-pole up to 4-pole switching for baseplate mounting and mounting on supporting rails	98
NH Fuse-Switches, 3-pole switching, for busbar mounting	100
Accessories	101
Technical data	see page 104



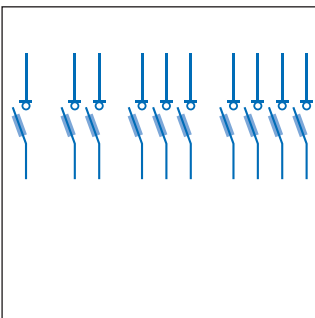
System

The EFEN NH Fuse-Switches NT-IN line are the result of long year experience. They thus offer a sophisticated technology especially for universal and industrial applications. The devices and the accessories are complementary. They allow fast and multiple assembling and are usable in all current distribution systems. The range includes size 000 to 4a, 630 kVA or 1500 V and some differend applications, size 3L, 630 kVA applications and many more.

Features

Because of the application-oriented solutions provided by the EFEN NT-IN-Switches, they belong to the most comprehensive range on the market.

Available Versions



Accessories



A lot of drills for mounting



Up to size 4a with 1600 A



NH Fuse-Switches IN – Size 000 - 4a baseplate mounting

Properties:

- Sliding fuse test window
- Compact sealing
- Touch-free unlocking of all by size 000 and 00

For more information
see page 104



34050-0000

NH Fuse-Switches 690 V AC, 3-pole switching, for baseplate mounting

Description	Size	Amps	Order-No.	PU	PG	Sur. Ag	Sur. Cu	Price €/pc.
Small design, box terminal 1,5 - 50 mm ²	000	100	34040-0000	10	NT IN 1	0,007	0,018	56,65
Box terminal 1,5 - 50 mm ²	000	100	34050-0000	10	NT IN 1	0,005	0,017	49,15
Multiple use terminal (screw M8)	00	160	34060-0000	10	NT IN 1	0,006	0,020	56,60
Box terminal 1,5 - 50 mm ²	00	125	34065-0000	10	NT IN 1	0,008	0,026	59,85
V-clamp 35 - 70 mm ²	00	160	34067-0000	10	NT IN 1	0,006	0,020	124,00
Multiple use terminal (screw M10)	1	250	34162-0000	1	NT IN 1	0,027	0,093	154,00
Multiple use terminal (screw M10)	2	400	34262-0000	1	NT IN 1	0,034	0,188	207,00
Multiple use terminal (screw M10)	3	630	34362-0000	1	NT IN 1	0,041	0,225	265,00
Srew terminal M16, 1-pole switching	4a	1250	34400-0000	1	NT 1	0,104	0,561	1.020,00
Srew terminal M16, 3-pole switching	4a	1250	34400-1010	1	NT 1	0,104	0,561	1.230,00
Srew terminal 2 x M12, 1-pole switching	4a	1600	34400-1040	1	NT 1	0,143	0,709	1.280,00
Srew terminal 2 x M12, 3-pole switching	4a	1600	34400-1050	1	NT 1	0,143	0,709	1.385,00



34050-0070

NH Fuse-Switches 690 V AC, 3-pole switching for mounting onto supporting rails

Description	Size	Amps	Order-No.	PU	PG	Sur. Ag	Sur. Cu	Price €/pc.
Box terminal 1,5 - 50 mm ²	000	100	34050-0070	10	NT IN 1	0,005	0,017	52,40
Multiple use terminal (screw M8)	00	160	34060-0070	10	NT IN 1	0,006	0,020	60,90
Box terminal 1,5 - 50 mm ²	00	125	34065-0070	10	NT IN 1	0,008	0,026	65,15



34762-1020

NH Fuse-Switches 1500 V AC, 3-pole switching for baseplate mounting

Description	Size	Amps	Order-No.	PU	PG	Sur. Ag	Sur. Cu	Price €/pc.
Multiple use terminal (screw M10), 1000 V	3	500	34762-1020	1	NT IN 1	0,041	0,141	677,00
Multiple use terminal (screw M10), 1500 V, only for NH Fuse-Links size 3L	3L	500	34762-1010	1	NT IN 1	0,041	0,141	677,00



33136-0010

NH Fuse-Switches 690 V AC, 1-pole switching for baseplate and busbar mounting

Description	Size	Amps	Order-No.	PU	PG	Sur. Ag	Sur. Cu	Price €/pc.
Multiple use terminal (screw M8), base-plate mounting	00	160	33136-0010	2	NT IN 1	0,002	0,007	29,90
Multipel use terminal (screw M8), for busbar mounting	00	160	33137-0010	2	NT IN 1	0,004	0,011	35,30

NH Fuse-Switches IN – Size 000 - 4a baseplate mounting

Properties:

- Sliding fuse test window

- Compact sealing

- Touch-free unlocking of all by size 000 and 00



34060-4000

NH Fuse-Switches 690 V AC, 4-pole switching for baseplate mounting

Description	Size	Amps	Order-No.	PU	PG	Sur. Ag	Sur. Cu	Price €/pc.
Multiple use terminal (screw M8)	00	160	34060-4000	1	NT IN 1	0,008	0,026	92,50
Multiple use terminal (screw M10)	1	250	34162-4000	1	NT IN 1	0,035	0,124	360,00
Multiple use terminal (screw M10)	2	400	34262-4000	1	NT IN 1	0,045	0,250	542,00
Multiple use terminal (screw M10)	3	630	34362-4000	1	NT IN 1	0,054	0,300	595,00
Screw terminal M16, 1-pole switching	4a	1250	34440-0000	1	NT 1	0,134	0,749	1.240,00



34060-4010

NH Fuse-Switches with pre connecting solid link on the right side for baseplate mounting

Description	Size	Amps	Order-No.	PU	PG	Sur. Ag	Sur. Cu	Price €/pc.
Multiple use terminal (screw M8)	00	160	34060-4010	1	NT SILAS	0,001	0,020	141,00
Multiple use terminal (screw M10)	1	250	34162-4010	1	NT SILAS	0,040	0,124	541,00
Multiple use terminal (screw M10)	2	400	34262-4010	1	NT SILAS	0,050	0,265	604,00
Multiple use terminal (screw M10)	1	630	34362-4010	1	NT SILAS	0,060	0,300	686,00



34360-1000

NH Fuse-Switches 690 V AC, 3-pole switching for baseplate mounting 630 kVA and 1000 A Incoming switch

Description	Size	Amps	Order-No.	PU	PG	Sur. Ag	Sur. Cu	Price €/pc.
Screw terminal M12	3	630 kVA	34360-1000	1	NT IN 2	0,058	0,286	307,00
Screw terminal M12 with mounted solid link 1000 A	3	1000	34360-0100	1	NT IN 2	0,058	0,286	411,00



34060-0130

NH Fuse-Switches 690 V AC, 3-pole switching for baseplate mounting

Properties:

- with electronic fuse monitoring

Description	Size	Amps	Order-No.	PU	PG	Sur. Ag	Sur. Cu	Price €/pc.
Box terminal 1,5 - 50 mm ²	000	100	34040-0130	1	NT IN 1	0,007	0,018	216,00
Multiple use terminal (screw M8), Feeding top	00	160	34060-0130	1	NT IN 1	0,006	0,020	251,00
Multiple use terminal (screw M8), Feeding bottom	00	160	34060-0131	1	NT IN 1	0,006	0,020	251,00
Multiple use terminal (screw M10), Feeding top	1	250	34162-0130	1	NT IN 1	0,027	0,093	351,00
Multiple use terminal (screw M10), Feeding bottom	1	250	34162-0131	1	NT IN 1	0,027	0,093	351,00
Multiple use terminal (screw M10), Feeding top	2	400	34262-0130	1	NT IN 1	0,034	0,188	402,00
Multiple use terminal (screw M10), Feeding bottom	2	400	34262-0131	1	NT IN 1	0,034	0,188	402,00
Multiple use terminal (screw M10), Feeding top	3	630	34362-0130	1	NT IN 1	0,041	0,225	460,00
Multiple use terminal (screw M10), Feeding bottom	3	630	34362-0131	1	NT IN 1	0,041	0,225	460,00



34060-0030

NH Fuse-Switches 690 V AC, 3-pole switching for baseplate mounting

Properties:

- with mechanical fuse monitoring

Description	Size	Amps	Order-No.	PU	PG	Sur. Ag	Sur. Cu	Price €/pc.
Multiple use terminal (screw M8)	00	160	34060-0030	1	NT IN 1	0,006	0,020	293,00
Multiple use terminal (screw M10)	1	250	34162-0030	1	NT IN 1	0,027	0,093	395,00
Multiple use terminal (screw M10)	2	400	34262-0030	1	NT IN 1	0,034	0,188	446,00
Multiple use terminal (screw M10)	3	630	34362-0030	1	NT IN 1	0,041	0,225	506,00
Screw terminal M16, 3-pole switching	4a	1250	34400-0030	1	NT 1	0,104	0,561	1.585,00

NH Fuse-Switches IN – Size 000 - 3 for busbar mounting

Properties:

- Sliding fuse test window
- Easy and quick mounting
- Variabel selection of cable terminal on either top or bottom

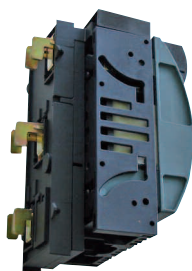
 For more information
see page **104**


39605-0000

NH Fuse-Switches 690 V AC, 3-pole switching for busbar mounting
Properties:

- for 40 mm or 60 mm busbar systems
- plug-on contacting

Description	Busbar	Size	Amps	Order-No.	PU	PG	Sur. Ag	Sur. Cu	Price €/pc.
Box terminal 1,5 - 50 mm ²	40/12	00	125	39605-0000	2	NT IN 1	0,012	0,041	72,60
Box terminal 1,5 - 50 mm ²	60/12	00	125	39615-2000	2	NT IN 1	0,014	0,072	83,40
Box terminal 1,5 - 50 mm ²	60/20	00	125	39625-2000	2	NT IN 1	0,014	0,072	83,35
Box terminal 1,5 - 50 mm ²	60/30	00	125	39635-2000	2	NT IN 1	0,014	0,072	83,35
Multiple use terminal (screw M8)	40/12	00	160	39600-0000	2	NT IN 1	0,012	0,041	72,50
Multiple use terminal (screw M8)	60/12	00	160	39610-2000	2	NT IN 1	0,014	0,072	81,20
Multiple use terminal (screw M8)	60/20	00	160	39620-2000	2	NT IN 1	0,014	0,072	81,25
Multiple use terminal (screw M8)	60/30	00	160	39630-2000	2	NT IN 1	0,014	0,072	81,25
Multiple use terminal (screw M10)	40/12	1	250	39402-5000	1	NT IN 1	0,033	0,140	218,00
Multiple use terminal (screw M10)	60/12	1	250	39417-5000	1	NT IN 1	0,050	0,097	224,00
Multiple use terminal (screw M10)	60/20	1	250	39420-5000	1	NT IN 1	0,050	0,097	224,00
Multiple use terminal (screw M10)	60/30	1	250	39424-5000	1	NT IN 1	0,050	0,097	224,00



39660-2000

NH Fuse-Switches 690 V AC, 3-pole switching for busbar systems
Properties:

- for 60 mm busbar systems
- Hook contacting

Description	Size	Amps	Order-No.	PU	PG	Sur. Ag	Sur. Cu	Price €/pc.
Small design, Terminal bottom, box terminal 1,5 - 50 mm ²	000	100	39010-0000	1	NT IN 1	0,010	0,019	83,30
Small design, Terminal top, box terminal 1,5 - 50 mm ²	000	100	39011-0000	1	NT IN 1	0,010	0,017	83,30
Box terminal 1,5-50 mm ²	00	125	39665-2000	2	NT IN 1	0,014	0,060	85,40
Multiple use terminal (screw M8)	00	160	39660-2000	2	NT IN 1	0,013	0,057	83,35
Multiple use terminal (screw M10)	1	250	39212-2000	1	NT IN 1	0,049	0,211	238,00
Multiple use terminal (screw M10)	2	400	39222-2000	1	NT IN 1	0,057	0,270	272,00
Multiple use terminal (screw M10)	3	630	39232-2000	1	NT IN 1	0,064	0,298	337,00



39212-5000

NH Fuse-Switches 690 V AC, 3-pole switching for busbar systems
Properties:

- for 100 mm busbar systems
- Hook contacting

Description	Size	Amps	Order-No.	PU	PG	Sur. Ag	Sur. Cu	Price €/pc.
Multiple use terminal (screw M10)	1	250	39212-5000	1	NT IN 1	0,049	0,211	241,00
Multiple use terminal (screw M10)	2	400	39222-5000	1	NT IN 1	0,057	0,270	277,00
Multiple use terminal (screw M10)	3	630	39232-5000	1	NT IN 1	0,064	0,298	337,00



39430-5000

NH Fuse-Switches 690 V AC, 3-pole switching for busbar supply, variable selection of cable terminal on either top or bottom
Properties:

- Saving of space, because with one switch you made the feeding and the outlet
- Terminal bottom

Description	Size	Amps	Order-No.	PU	PG	Sur. Ag	Sur. Cu	Price €/pc.
Busbar system 40/12 mm, Multiple use terminal (screw M10)	1	250	39430-5000	1	NT IN 1	0,050	0,097	244,00
Busbar system 60/12 mm, Multiple use terminal (screw M10)	1	250	39440-5000	1	NT IN 1	0,050	0,097	244,00
Busbar system 60/20 mm, Multiple use terminal (screw M10)	1	250	39450-5000	1	NT IN 1	0,050	0,097	244,00
Busbar system 60/30 mm, Multiple use terminal (screw M10)	1	250	39470-5000	1	NT IN 1	0,050	0,097	244,00

NH Fuse-Switches IN Accessories

For more information
see page **104**



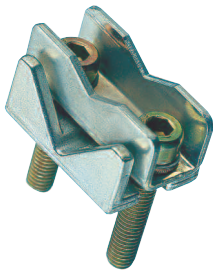
Pressure plates with screws

Properties:

- Set = 6 pieces

Description	Size	Amps	Order-No.	PU	PG	Sur. Ag	Sur. Cu	Price €/pc.
1,5 - 16 mm ²	00		36169-0010	1	NT IN 1			4,45
6 - 25 mm ²	1		36197-0010	1	NT IN 1			8,90
6 - 25 mm ²	2-3		36199-0010	1	NT IN 1			11,10

36197-0010



Pressure plates with screws and contact prism

Properties:

- Set = 6 pieces

Description	Size	Amps	Order-No.	PU	PG	Sur. Ag	Sur. Cu	Price €/pc.
16 - 95 mm ²	00		36170-0010	1	NT IN 1			13,25
35 - 150 mm ²	1		36198-0010	1	NT IN 1			25,40
35 - 240 mm ²	2-3		36200-0010	1	NT IN 1			37,60

36198-0010



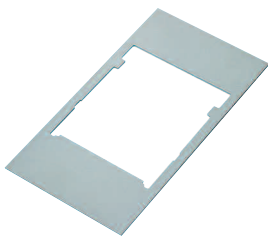
Triple terminal 3 x 10 mm²

Properties:

- Set = 3 pieces

Description	Size	Amps	Order-No.	PU	PG	Sur. Ag	Sur. Cu	Price €/pc.
for 3 cable per phase up to 16 mm ² , without conductor sleeve	00		36171-0010	1	NT IN 1			15,10

36171-0010



Frame, normal

Properties:

- for NH Fuse-Switches 3-pole, 40563-0100 only for device 34050.....

Description	Size	Amps	Order-No.	PU	PG	Sur. Ag	Sur. Cu	Price €/pc.
Frame, normal for 34050.0000	000		40563-0100	1	NT IN 1			5,05
Frame, normal	00		40573-0100	1	NT IN 1			3,85
Frame, normal	1		40586-0100	1	NT IN 1			7,80
Frame, normal	2		40587-0100	1	NT IN 1			7,80
Frame, normal	3		40588-0100	1	NT IN 1			9,50

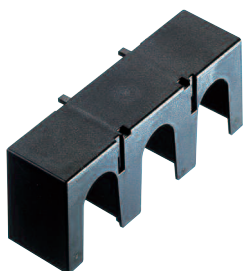
40573-0100



Frame for use in combination with NH Fuse-Switches, vertical design, 3-pole switching vertical design on busbar systems 60 or 100 mm

Description	Size	Amps	Order-No.	PU	PG	Sur. Ag	Sur. Cu	Price €/pc.
Frame	1		40646-0100	1	NT IN 1			21,05
Frame	2		31596-0100	1	NT IN 1			28,75
Frame	3		31597-0100	1	NT IN 1			29,90

40646-0100

For more information
see page **104**


31401-0100

Contact shrouds to add
Properties:

- for top or bottom, you have the possibility to add

Description	Size	Amps	Order-No.	PU	PG	Sur. Ag	Sur. Cu	Price €/pc.
Terminal cover, small version	000		36954-0010	1	NT SILAS			2,25
Terminal cover	00		31401-0100	1	NT IN 1			1,60
Terminal cover	1		31438-0100	1	NT IN 1			5,15
Terminal cover	2		31428-0100	1	NT IN 1			6,60
Terminal cover	3		31429-0100	1	NT IN 1			8,15

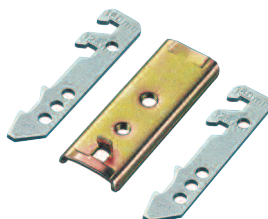


36174-0010

Micro switch
Properties:

- for position indicating

Description	Size	Amps	Order-No.	PU	PG	Sur. Ag	Sur. Cu	Price €/pc.
Micro switch, small version	000		36959-0010	1	NT SILAS			7,85
Micro switch for position indicating	000		36107-0010	1	NSL 5			5,35
Micro switch	00		36174-0010	1	NT IN 1			6,60
Micro switch	1-3		85138-0100	1	NT IN 1			6,40

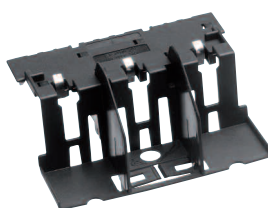


36145-0010

Quick fixing set
Properties:

- for use on 2 supporting rails for spacing 125 or 150 mm

Description	Size	Amps	Order-No.	PU	PG	Sur. Ag	Sur. Cu	Price €/pc.
Quick fixing set for use on 2 supporting rails	000		36145-0010	1	NT IN 1			2,30
Quick fixing set for size 000, small version	000		36949-0010	1	NT SILAS			4,45
Quick fixing set for use on 2 supporting rails	00		36172-0010	1	NT IN 1			5,60
Quick fixing set for use on 2 supporting rails	1		36196-0010	1	NT IN 1			7,80



36175-0010

Add-on kit for fuse-monitoring by NH Fuse-Links with striker, series IN
Properties:

- In combination with NH Fuse-Links series 35207..... size 00

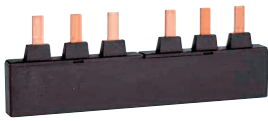
Description	Size	Amps	Order-No.	PU	PG	Sur. Ag	Sur. Cu	Price €/pc.
Add-on kit for fuse monitoring	00		36175-0010	1	NT IN 1			30,95
Multiple use terminal (screw M10)	1	250	34162-0110	1	NT IN 1	0,027	0,093	270,00
Multiple use terminal (screw M10)	2	400	34262-0110	1	NT IN 1	0,034	0,188	307,00
Multiple use terminal (screw M10)	3	630	34362-0110	3	NT IN 1	0,041	0,225	383,00



36969-0010

Protection vs. power theaf

Description	Size	Amps	Order-No.	PU	PG	Sur. Ag	Sur. Cu	Price €/pc.
protection vs. power theaf, Size 000 SILAS, small version	000		36969-0010	1	NT Silas			3,45
protection vs. power theaf, Size 00 IN (Set)	00		36916-0010	1	NT IN 1			4,05
protection vs. power theaf, Size 1-3 IN (Set)	1-3		36930-0010	1	NT IN 1			3,35

For more information
see page **104**


85371-0100

Feeding devices

Description	Size	Amps	Order-No.	PU	PG	Sur. Ag	Sur. Cu	Price €/pc.
Feeding device 2 X SILAS NH000	000		90276-0100	4	NT SILAS			30,00
Feeding device 3 X SILAS NH000	000		90276-0200	4	NT SILAS			33,00
Feeding device 4X SILAS	000		90276-0300	4	NT SILAS			35,00
Feeding device 5X SILAS	000		90276-0400	4	NT SILAS			45,00
Feeding clamp 25 - 95 mm ² RM/SM SILAS NH000	000		90277-0100	3	NT SILAS			17,00
Feeding clamp 25 - 95 mm ² (1 Set = 3 pieces)	000		36163-0010	1	NT IN 1			45,30
Feeding device for 2 switches	000		85371-0100	1	NT IN 1			26,50
feeding device for 3 switches	000		85371-0200	1	NT IN 1			32,00
Feeding device for 4 switches	000		85371-0300	1	NT IN 1			43,00
connecting device	000		85372-0100	1	NT IN 1			27,70
Cover for blank space	000		85373-0100	1	NT IN 1			2,80
Feeding device for 2 switches, devices for connecting with screws M8	00		90280-0100	4	NT SILAS			30,00
Feeding device for 3 switches, devices for connecting with screws M8	00		90280-0200	4	NT SILAS			36,00
Feeding device for 4 switches, devices for connecting with screws M8	00		90280-0300	4	NT SILAS			48,00
Feeding device for 5 switches, devices for connecting with screws M8	00		90280-0400	4	NT SILAS			60,00

Product range overview

	Size 000 (small version)	Size 000	Size 00	Size 1	Size 2	Size 3	Size 3L	Size 4
NH Fuse-Switches for baseplate mounting or mounting onto supporting rails	•	•	•	•	•	•	•	•
Mounting onto supporting rails	•	•	•	•				
NH Fuse-Switches 1000V/1500V AC							•	
NH back pack fuse switches mid distance : busbar width:								
40 12			•	•				
60 12	•		•	•	•	•		
60 20	•		•	•	•	•		
60 30	•		•	•	•	•		
100				•	•	•		
NH Fuse-Switches with electrical fuse monitoring	•		•	•	•	•		•
NH Fuse-Switches with mechanical fuse monitoring			•	•	•	•		•
NH Fuse-Switches 4-pol.			•	•	•	•		•
NH Fuse-Switches 1-pol.			•					•

Technical Data acc. to VDE 0660 T107/EN/IEC 60947-3

For NH Fuse-Links acc. to VDE 0660 T 2	Size	000	000/00	1	2	3	4a
Rated operational current I_e	A	100	160	250	400	630	1250 1600
Conventional free air thermic current I_{th}	A	160	160	250	400	630	1250 1600
Rated operational voltage U_e	V	690					
Rated insulation voltage U_i	V	690	800				
Rated impuls withstand voltage U_{imp}	kV	6	8				
Rated conditional short circuit current (when protected by NH Fuse-Links)	kA/400V	80	100	100	100 ²⁾	100	50
conditional rated short circuit breaking capacity (when protected by NH Fuse-Links)	kA/690V	50					
Utilization category VDE 0660 T107/EN/IEC 60947-3	U _e = 400V AC U _e = 690V AC U _e = 440V DC ¹⁾	AC-22B AC-21B DC-21B					
Mechanical durability	Cycles	2000	1600	1600	1000	1000	600
Permissible ambient temperature	-25°C up to +55°C						
Degree of protection DIN/EN 60529/VDE 0470 T1	IP 3X						
Maximum power dissipation of the NH Fuse-Links	P _N max.	9	12	23	34	48	115 140
Weight without NH Fuse-Links	kg	0,425	0,5	2,0	3,25	5,3	14,0

²⁾ Fitting of L₁ and L₃ 2-pole; 1-pole U_e = 220 V DC.

²⁾ with pull-in aid

Conductor types and -sizes

Type of Terminal	Conductor Type		Size 000 (small version)	NH 000	NH 00	NH 1	NH 2	NH 3	4a	Size
Multiple use terminal (Screw terminal)	-	-	-	-	M8	M10	M10	M10	M12/M16	
Pressure plates with screws	CU	re rm/sm	-	-	1,5-16	1,5-16	-	-	-	mm ²
Pressure plate with screws and contact prism	CU AL	re/rm/ se/sm	-	-	2-25	6-50	6-70	6-70	-	mm ²
Box terminal	CU	rm/re se/sm	2,5-50	1,5-50	-	-	-	-	-	mm ²
Triple terminal	CU	re rm	-	-	1,5-10	-	-	-	-	mm ²
Flat conductor (With x High) ≤	-	-	-	-	10x6	16x15	21x15	21x15	-	mm

Tightening torques for terminal and busbar mounting

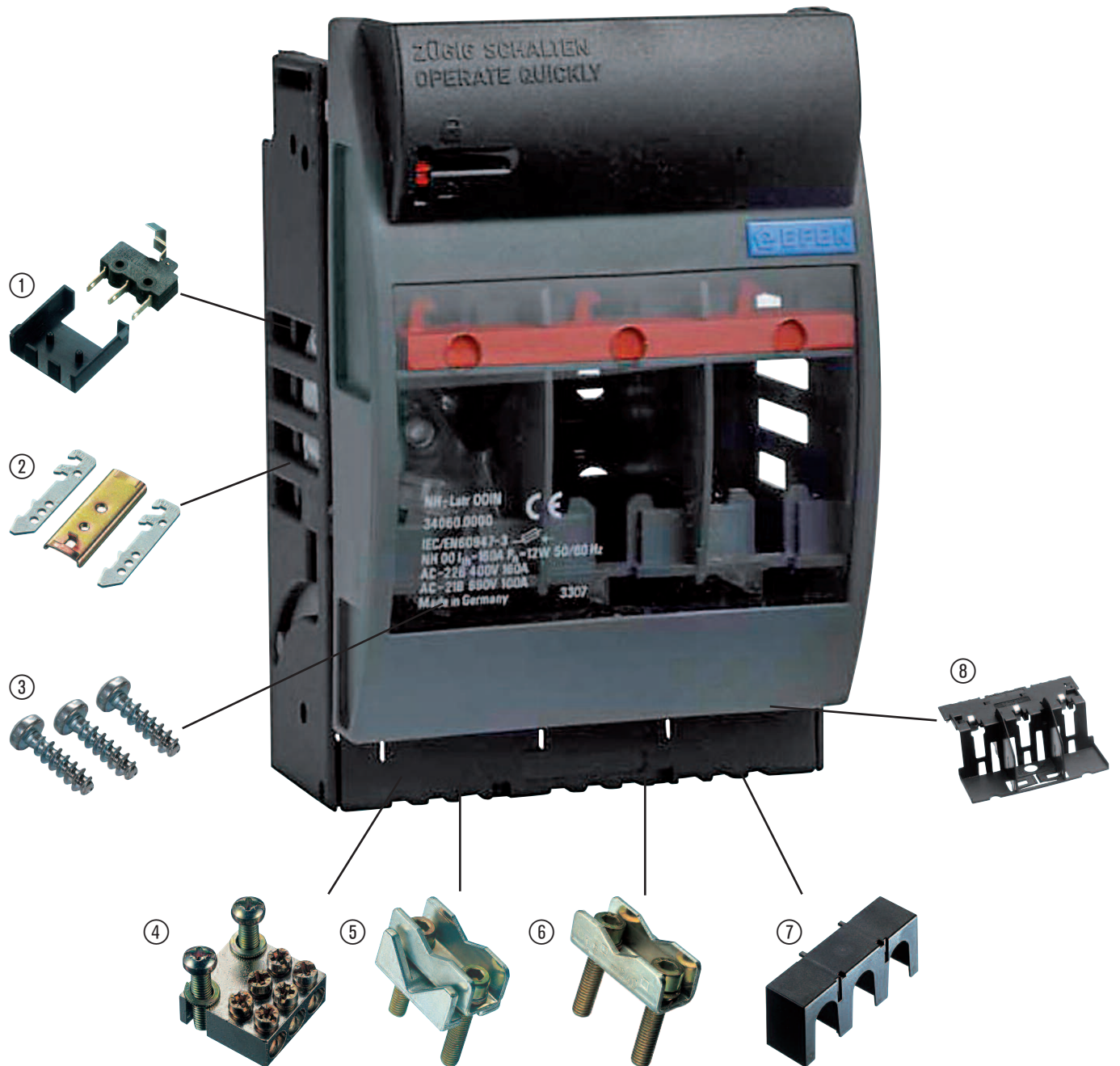
Size	000 (small version)	NH 000	NH 00	NH 1	NH 2	NH 3	Gr. 4a
Type of Terminal	Tightening torques Nm						
Multiple use terminal (Screw terminal)	-	-	14	32	32	32	32 / 56
Pressure plates with screws	-	-	4	8	14	14	-
Pressure plate with screws and contact prism	-	-	4	8	14	14	-
Busbar contacting	4,5	-	6	10	10	14	-
Box terminal	4,5	3	3	-	-	-	-

Connection of two cable lugs

Size	16 mm ²	25 mm ²	35 mm ²	50 mm ²	70 mm ²	95 mm ²	120 mm ²	150 mm ²	185 mm ²	240 mm ²	300 mm ²
00	2 x	2 x	2 x	2 x		-	-	-	-	-	-
1	2 x	2 x	2 x	2 x	2 x	2 x	2 x	2 x	2 x	-	-
2	-	-	-	-	-	-	-	2 x	2 x	2 x	2 x
3	-	-	-	-	-	-	-	2 x	2 x	2 x	2 x

For verification of this table, cable lugs according to DIN 46235 were used. Other common cable lugs may have different dimensions, but are most likely connectable.

Accessories for size 00



- ① 36174-0010 micro switch
- ② 36172-0010 quick fixing set
- ③ 36916-0010 protection vs. power theaf
- ④ 36171-0010 triple terminal 3x10 mm²
- ⑤ 36170-0010 pressure plates with screws and contact prism
- ⑥ 36169-0010 pressure plates with screws
- ⑦ 31401-0100 terminal cover
- ⑧ 36175-0010 add-on kit for fuse-monitoring for fuse-links with striker

Accessories for size 1- 3

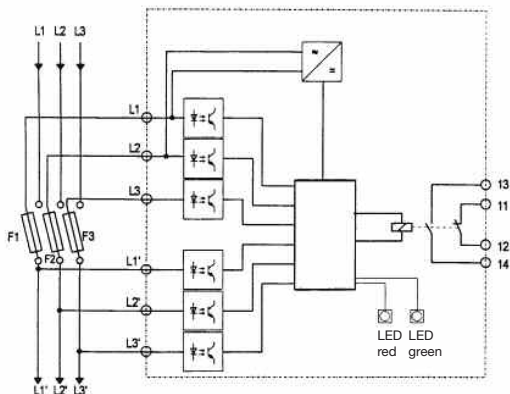


NT-IN

- ① 85138-0100 micro switch
- ② 36196-0010 quick fixing set
- ③ 36930-0010 protection vs. power theft
- ④ 36198-0010 pressure plates with screws and contact prism
- ⑤ 36197-0010 pressure plates with screws
- ⑥ 31401-0100 terminal cover
- ⑦ 40646-0100 frame

Electronical fuse monitoring for size 00 - 4a

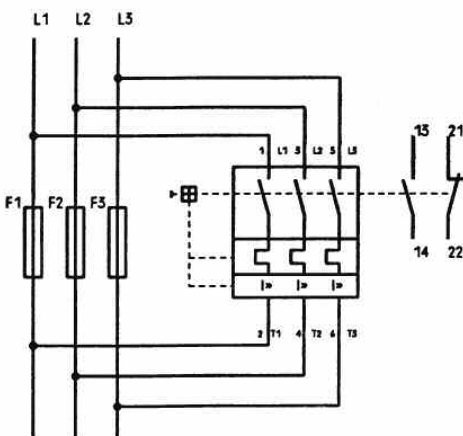
- Switch position indicator with micro switch possible
- LED-indicator to indicate "ready for operation"
- Possibility for remote indication of broken fuse-links
- No separate auxiliary power supply required



Technical details	
Rated operational voltage U_e	AC 400 V – AC 690 V
Rated insulation voltage U_i	800 V
Rated impuls withstand voltage U_{imp}	6 kV
Rated conditional short circuit current (with protection by NH Fuses)	50 kA
Permissible ambient temperatur	-20 up to +55 °C
Rated frequency	50/60 Hz
Delay time	< 0,5 s
Function	From 75 V voltage drop/ up to 85 % reverse voltage
Display elements	Operation voltage indication: green LED Fuse-Link released: red LED
Alarm output	Relais with opening and making contact. Secure isolation from supply acc. EN 50178
Rated voltage/current alarm output	AC 250 V/DC 24 V 3 mA 2 A

Mechanical fuse monitoring with circuit breaker

- Indication of status "ready for operation"
- Possibility for remote indication of broken fuse-links
- No separate auxiliary power supply required



Technical details	
Rated operational voltage U_e	AC 24 V – AC 690 V 50/60 Hz DC 24 V – DC 250 V
Rated insulation voltage U_i	690 V
Rated impuls withstand voltage U_{imp}	6 kV
Rated conditional short circuit current (with protection by NH Fuses)	50 kA
Permissible ambient temperatur	-20 up to +55 °C
Delay time	< 0,5 s
Function	From 24 V voltage drop
Display elements	Ready for operation: handle display "I" Error message: handle display "0"
Alarm output	Auxiliary switch 1 opening + 1 making contact
Rated voltage	AC 24 V AC 230 V DC 24 V DC 60 V
Rated current	2 A 0,5 A 1 A 0,15 A

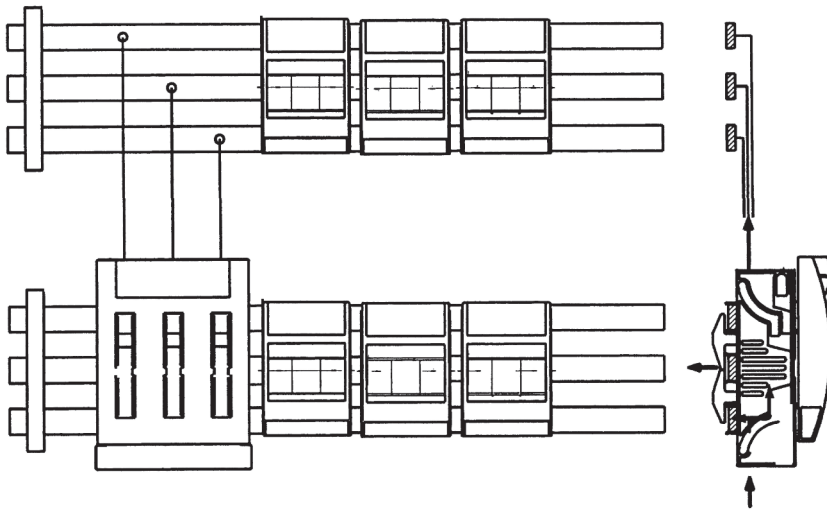
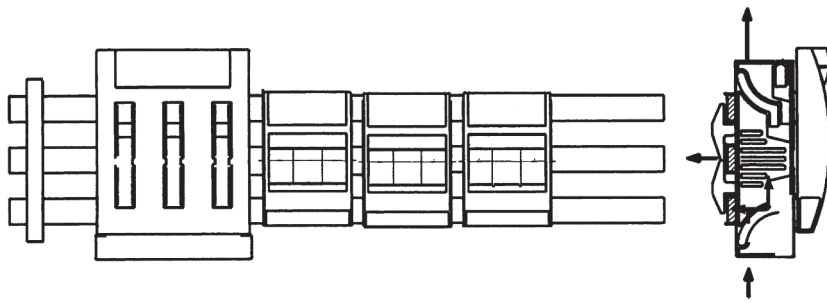
Electronical fuse monitoring for size 000, small version

- Indication of fault-free operation by green LED
- Fault-indication by red LED
- No auxiliary power supply required
- Remote indication via 4-pole plug by 1 n/o and one n/c switch
- Monitoring of all fuses; red LED flashes in case of failure
- Automatic reset after replacement of defective fuse(s)
- Independent of supply side

Technical details	
Rated operational voltage U_e	AC 400 V – AC 500 V 50/60 Hz / DC 220 V
Rated insulation voltage U_i	800 V
Rated impuls withstand voltage U_{imp}	3 kV
Rated conditional short circuit current (with protection by NH Fuses)	50 kA
Permissible ambient temperatur	-20 up to +55 °C
Rated frequency	< 0,5 s
Delay time	voltage drop
Function	Operation voltage indication: green LED Fuse-Link released: red LED
Display elements	Relais with opening and making contact. Secure isolation from supply acc. EN 50178
Alarm output	AC 250 V/DC 30 V max. 5 A

Busbar feeder

Additional fuse outlets



NH Fuse-Switches IN
 Accessories

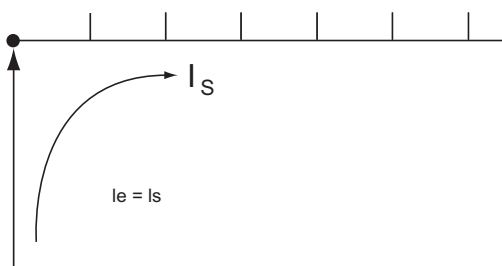
Technical data

Technical data acc. DIN EN 60947 1 VDE 0660 T100 / IEC 60947 1:2004 for the size 000, small version and size 00

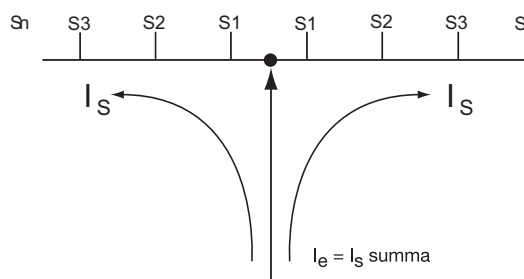
Description		
Materials	Bus bar	E – Cu 58 F25
	Insulation	PC/ABS extruding - leight gray RAL 7035
	Endcap	PC/ABS injected light gray RAL 7035
	protection cover	PA66 V0 injected light gray RAL 7035
Temperature range	PC / ABS extruding	VST B 120 – ISO 306 = 113°C-UL94-VO/1,5
	PC / ABS injected	VST B 120 – ISO 306 = 138°C – UL94-V01,6
Isolation coordination	over voltage category III currosion grad 2	
Electric strength	PC / ABS	> 32 kV / mm
Impulse withstand voltage	=> 6,0kV (1kV/mmLS)	
Minimum aeral distance	> 8 mm	
Minimum creeping distance	> 8,5 mm	
Maximum operating voltage	690 V AC / 440 V DC	
Nominal operating voltage	415 V	
Short circuit strength	12,5 kA – 100 ms / 400 V	

Loading capacity with 35°C ambient temperature in dependance from the incoming feeder

Busbar block length (m)	Max. 1	Max. 0,3
Busbar cross section	35 mm ²	35 mm ²
Supply at the busbar start or end	125 A	200 A
Maximum busbar current Is/Phase	125 A	200 A
Connecting cross section	35 mm ²	2x35 mm ²
Other frequencise		
Max. busbar current Is/Phase	160 A	260 A
Connected cross section	2x35 mm ²	95 mm ²
Feeding busbar for 000	-	2 - 5
Feeding busbar for 00	4 – 5 fold	2 - 3



connection at the busbar start or end



other connections

pay attention when using mid incomming feeder that the total sum of the outgoing feeder S1.....Sn for each busbar section is not larger than the above mentioned busbar current Is/Phase

For baseplate mounting

Description	Size	Amps I _{th}	Order no.	Description	Pack	Weight
Box terminal 1,5–50 mm ²	000	160	34050-0000	NH-Latr 000 R4R4	10	0,422
Box terminal 2,5–50 mm ² , small version	000	100	34040-0000	NH-LATR 000IN R4R4	1	0,468

For mounting onto supporting rails

Description	Size	Amps I _{th}	Order no.	Description	Pack	Weight
Box terminal 1,5–50 mm ²	000	160	34050-0070	NH-Latr 000 HB R4R4	10	0,42

For baseplate mounting

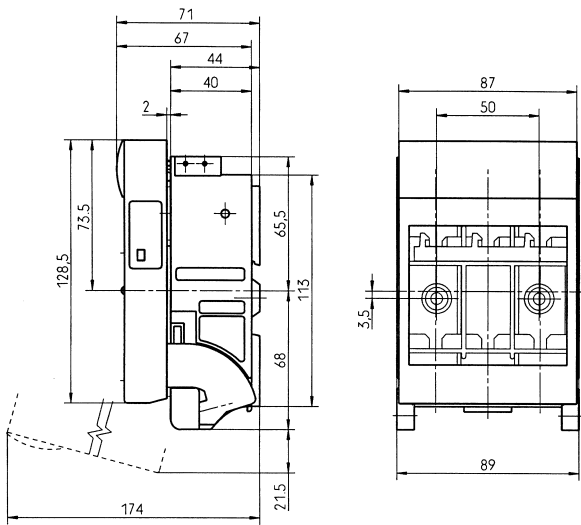
Description	Size	Amps I _{th}	Order no.	Description	Pack	Weight
Multiple use terminal (screw M8)	00	160	34060-0000	NH-Latr 00IN U5U5	10	0,54
Box terminal 1,5–50 mm ²	00	125	34065-0000	NH-Latr 00IN R2R2	10	0,48
V-clamp 35–70 mm ²	00	160	34067-0000	NH-Latr 00IN V2V2 ¹⁾	7	0,75

¹⁾ with additional contact shroud

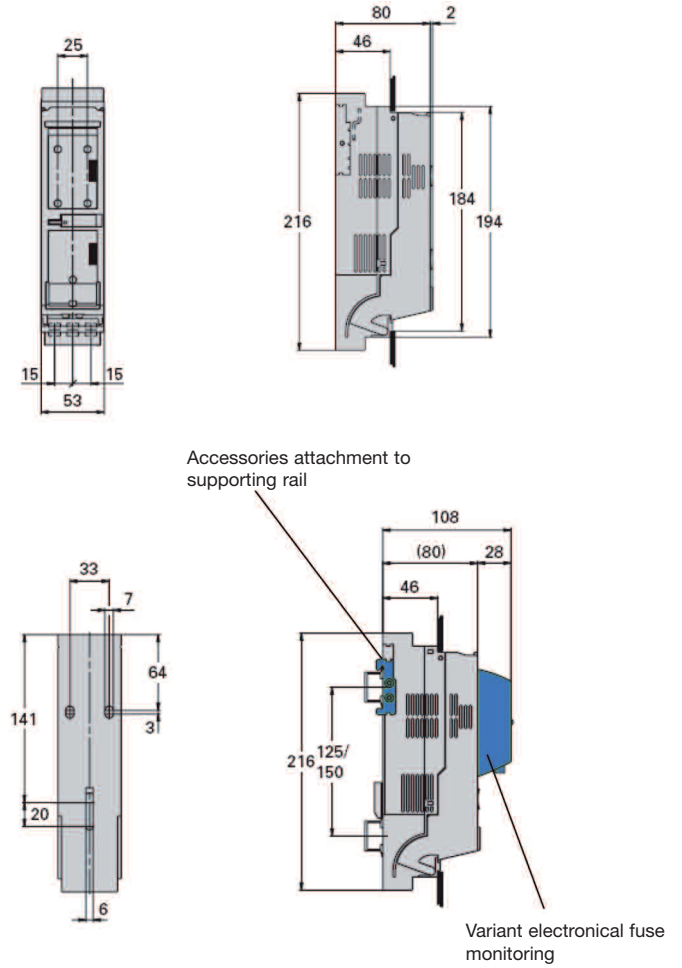
For mounting onto supporting rails

Description	Size	Amps I _{th}	Order no.	Description	Pack	Weight
Multiple use terminal (screw M8)	00	160	34060-0070	NH-Latr 00IN HB U5U5	10	0,60
Box terminal 1,5–50 mm ²	00	125	34065-0070	NH-Latr 00IN HB R2R2	10	0,55

Size 000

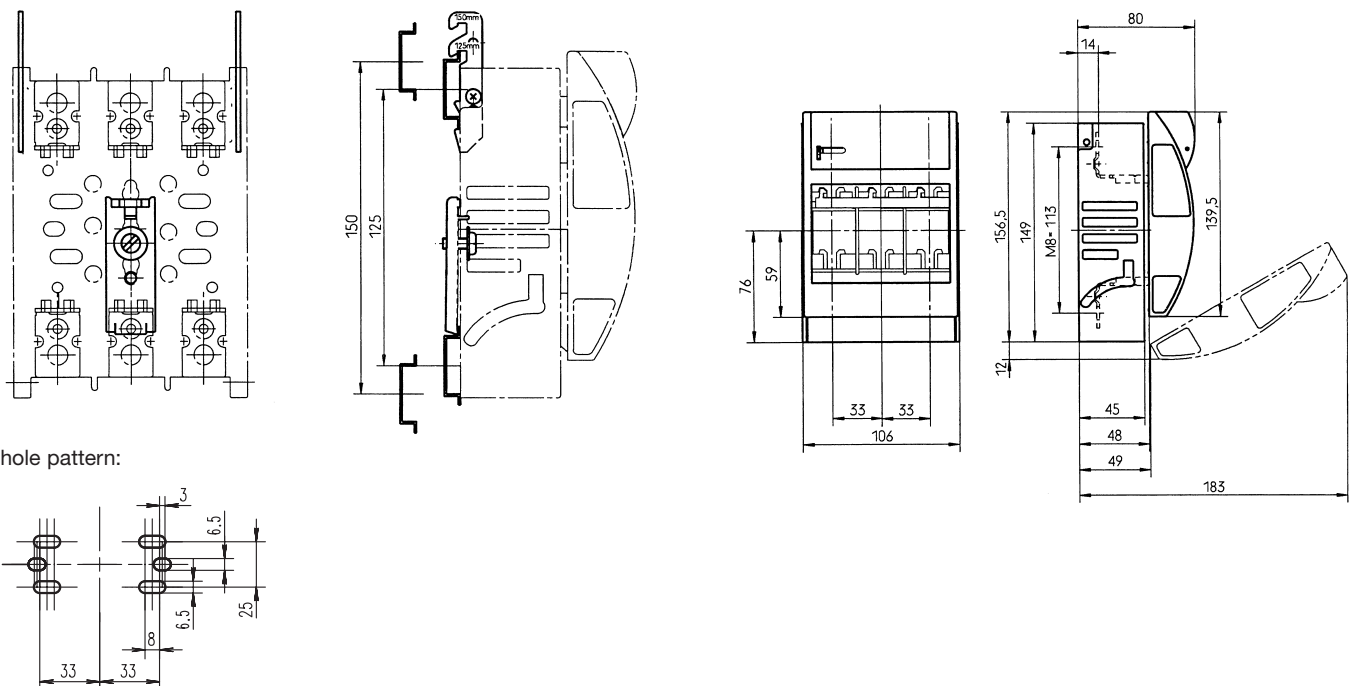


Size 000, small version



NT-IN

Size 00



NH Fuse-Switches IN

Technical data

For baseplate mounting

Description	Size	Amps I _{th}	Order no.	Description	Pack	Weight
Multiple use terminal (screw M10)	1	250	34162-0000	NH-Latr 1IN U2U2	1	2,10

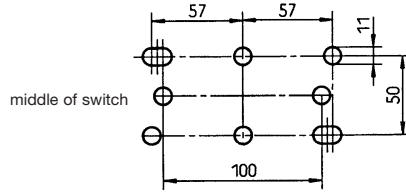
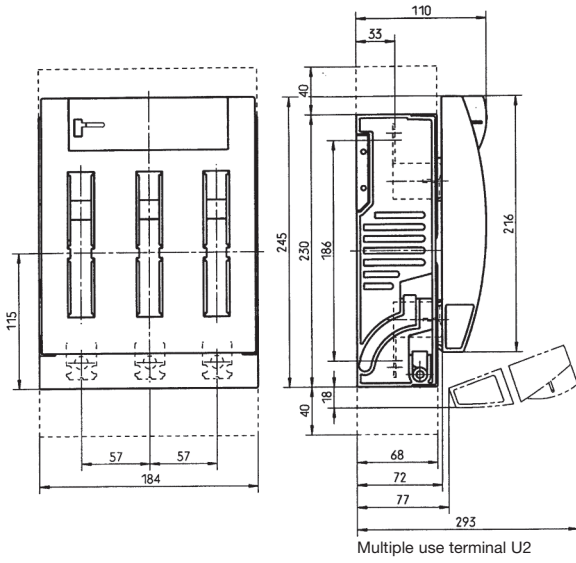
For baseplate mounting

Description	Size	Amps I _{th}	Order no.	Description	Pack	Weight
Multiple use terminal (screw M10)	2	400	34262-0000	NH-Latr 2IN U2U2	1	3,25

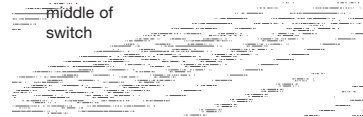
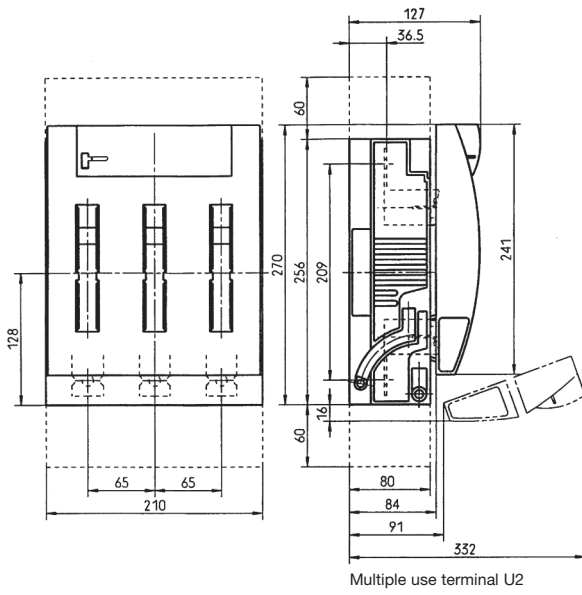
For baseplate mounting

Description	Size	Amps I _{th}	Order no.	Description	Pack	Weight
Multiple use terminal (screw M10)	3	630	34362-0000	NH-Latr 3IN U2U2	1	5,30
Screw terminal M12	3	630kVA	34360-1000	NH-Latr 3IN 630kVA G6G6	1	3,522

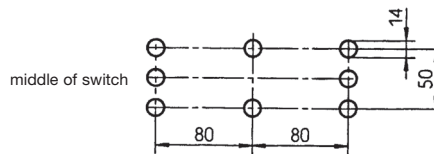
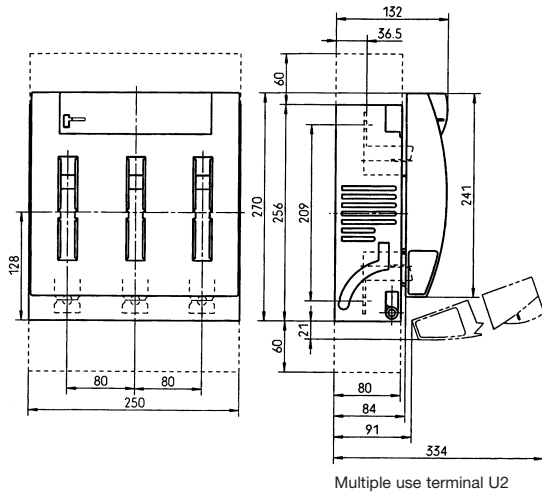
Dimensions drawings Size 1, 250 A



Dimensions drawings Size 2, 400 A



Dimensions drawings Size 3, 630 A



NT-IN

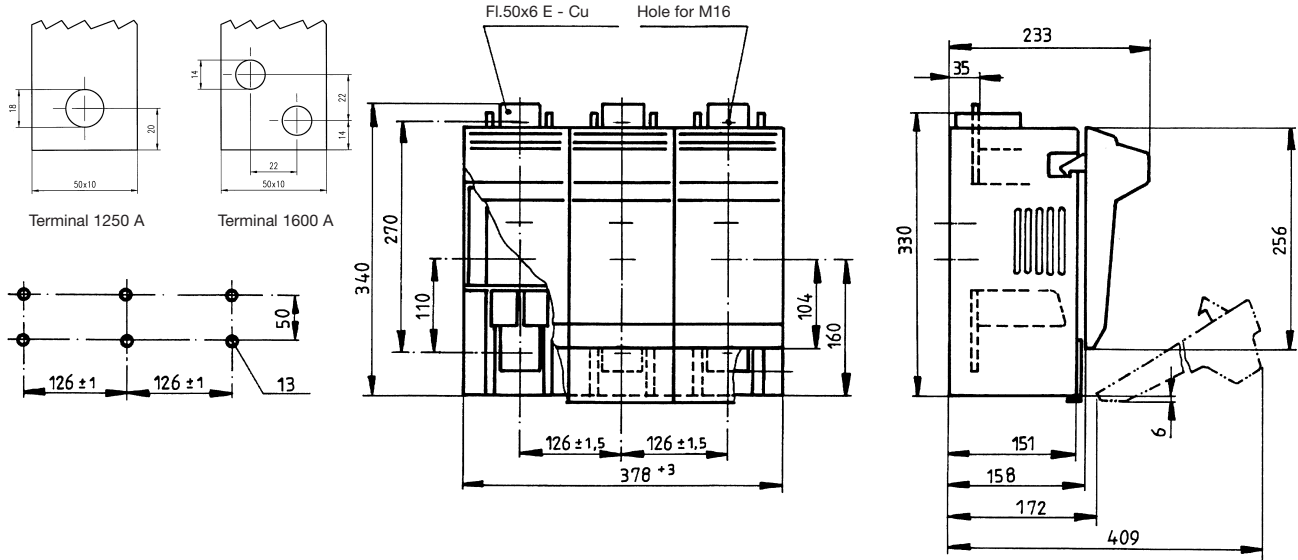
For baseplate mounting:

Description	Size	Amps I _{th}	Order no.	Description	Pack	Weight
Screw terminal M16 top and bottom						
1-pole switching	4a	1250	34400-0000	NH-Latr 4A EP L8L8	1	12,65
3-pole switching	4a	1250	34400-1010	NH-Latr 4A 3P L8L8	1	12,80
Screw terminal 2 x M12 top and bottom						
1-pole switching	4a	1600	34400-1040	NH-Latr 4A EP 1600A L6L6	1	14,00
3-pole switching	4a	1600	34400-1050	NH-Latr 4A 3P 1600A L6L6	1	14,15

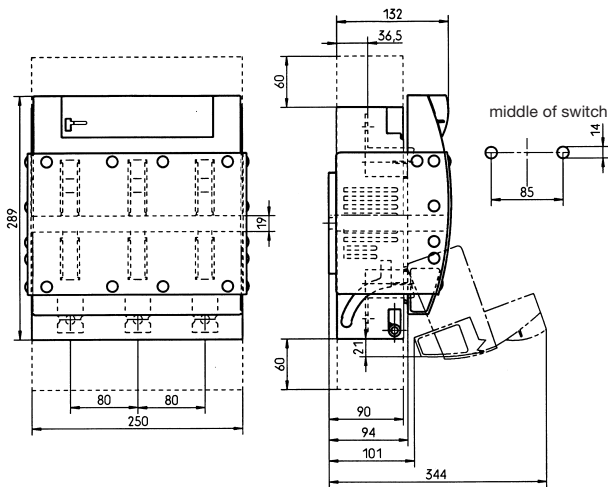
Description	Size	Amps I _{th}	Order no.	Description	Pack	Weight
Multiple use terminal (screw M10)	3	500	34762-1020	NH-Latr 3 IN 1000V 500A U2U2	1	5,30

Description	Size	Amps I _{th}	Order no.	Description	Pack	Weight
Multiple use terminal (screw M10)	3L	500	34762-1010	NH-Latr 3L IN 1500V 500A U2U2	1	5,30

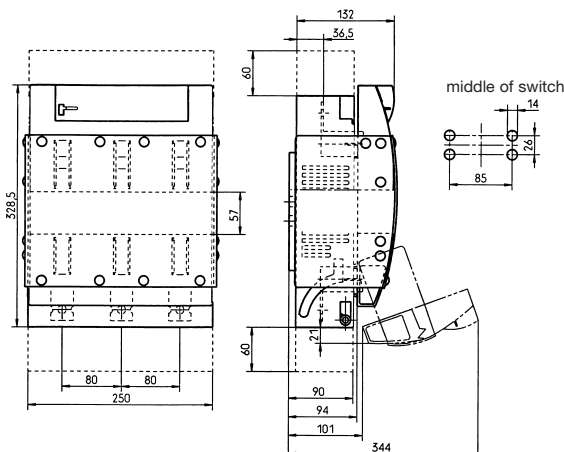
Dimensions drawings Size 4a, 1250/1600 A, dimensions drawings 1250 A
 Connection with busbar 60 x 10 mm possible



Dimensions drawings Size 3, 500 A/1000 V



Size 3L, 500 A/1500 V

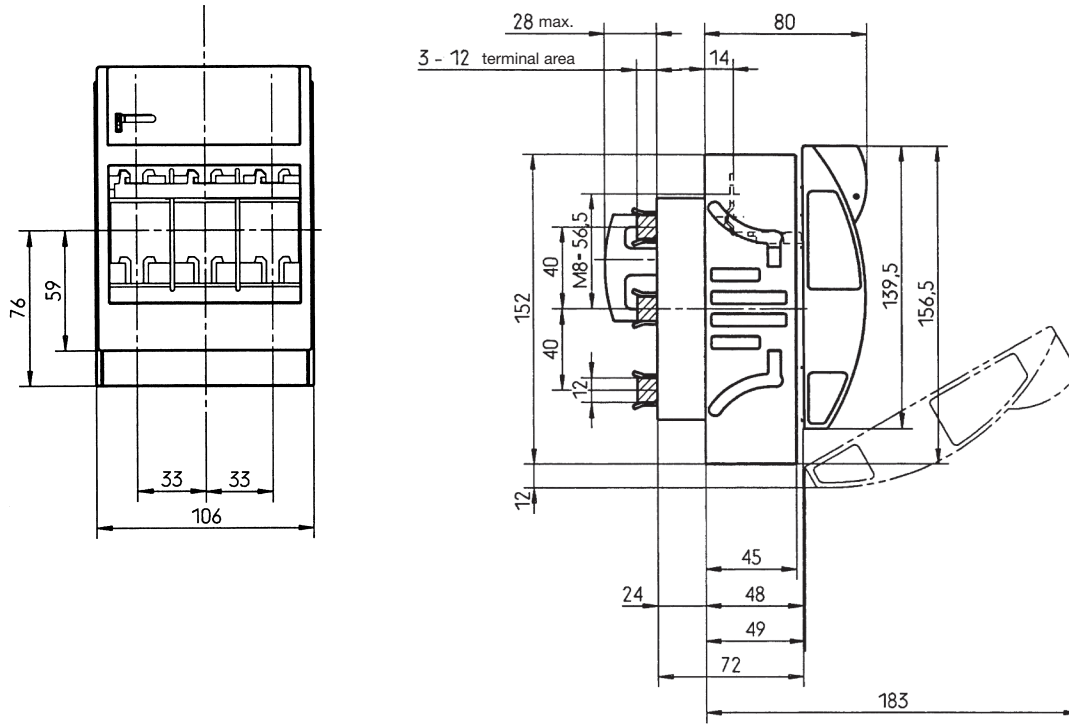


Busbar system 40/12, plug-on contacting

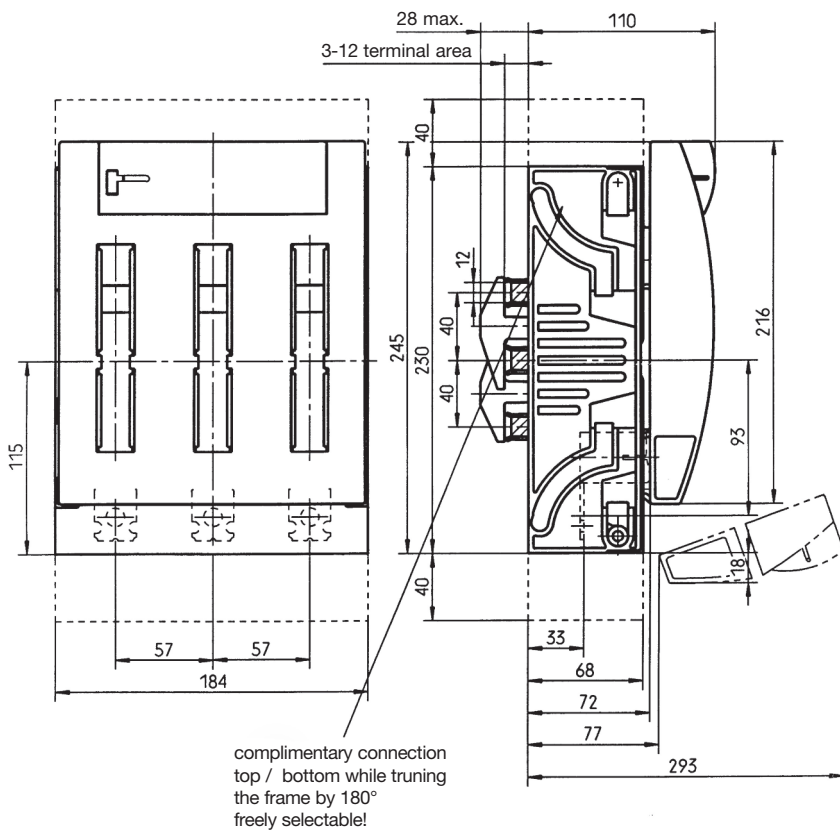
Description	Size	Amps I _{th}	Order no.	Description	Pack	Weight
Multiple use terminal (screw M8)	00	160	39600-0000	NH-Latr S 00IN A U5K81	2	0,59
Box terminal 1,5–50 mm ²	00	125	39605-0000	NH-Latr S 00IN A R2K81	2	0,56

Description	Size	Amps I _{th}	Order no.	Description	Pack	Weight
Multiple use terminal (screw M10)	1	250	39402-5000	NH-Latr S 1IN A K91U2	1	2,30

Dimensions drawings Size 00, 125/160 A



Dimensions drawings Size 1, 250 A



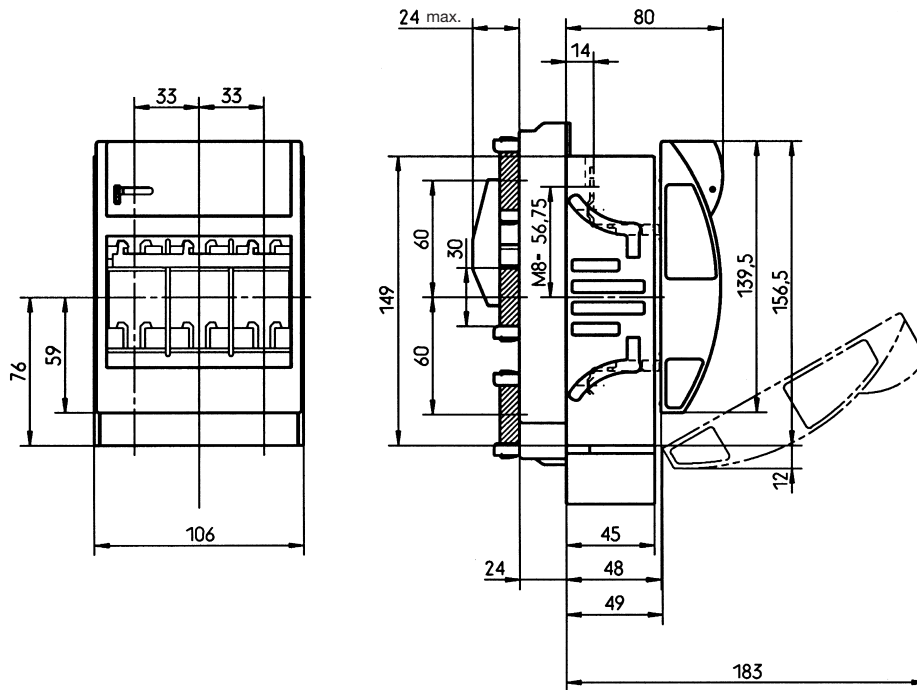
NH Fuse-Switches for busbar systems 60 mm, plug-on contacting

Description	Size	Amps I _{th}	Order no.	Description	System	Pack	Weight
Multiple use terminal (screw M8)	00	160	39610-2000	NH-Latr SD 00IN F K41U5	60/12	2	0,90
Box terminal 1,5–50 mm ²	00	125	39615-2000	NH-Latr SD 00IN F K41R2	60/12	2	0,90
Multiple use terminal (screw M10)	1	250	39417-5000	NH-Latr S 1IN F K91U2	60/12	1	2,40
Multiple use terminal (screw M8)	00	160	39620-2000	NH-Latr SD 00IN H K41U5	60/20	2	0,90
Box terminal 1,5–50 mm ²	00	125	39625-2000	NH-Latr SD 00IN H K41R2	60/20	2	0,90
Multiple use terminal (screw M10)	1	250	39420-5000	NH-Latr S 1IN H K91U2	60/20	1	2,40
Multiple use terminal (screw M8)	00	160	39630-2000	NH-Latr SD 00IN M K41U5	60/30	2	0,90
Box terminal 1,5–50 mm ²	00	125	39635-2000	NH-Latr SD 00IN M K41R2	60/30	2	0,90
Multiple use terminal (screw M10)	1	250	39424-5000	NH-Latr S 1IN M K91U2	60/30	1	2,40

Busbar feeding for busbar systems 40 and 60 mm centre distance, plug-on contacting

Description	Size	Amps I _{th}	Order no.	Description	System	Pack	Weight
Multiple use terminal (screw M10)	1	250	39440-5000	NH-Latr SE U2 1IN F K91U2	60/12	1	2,40
Multiple use terminal (screw M10)	1	250	39450-5000	NH-Latr SE U2 1IN H K91U2	60/20	1	2,40
Multiple use terminal (screw M10)	1	250	39470-5000	NH-Latr SE U2 1IN M K91U2	60/30	1	2,40
Multiple use terminal (screw M10) busbar incoming feeder	1	250	39430-5000	NH-Latr SE U2 1IN A K91U2	40/12	1	2,40

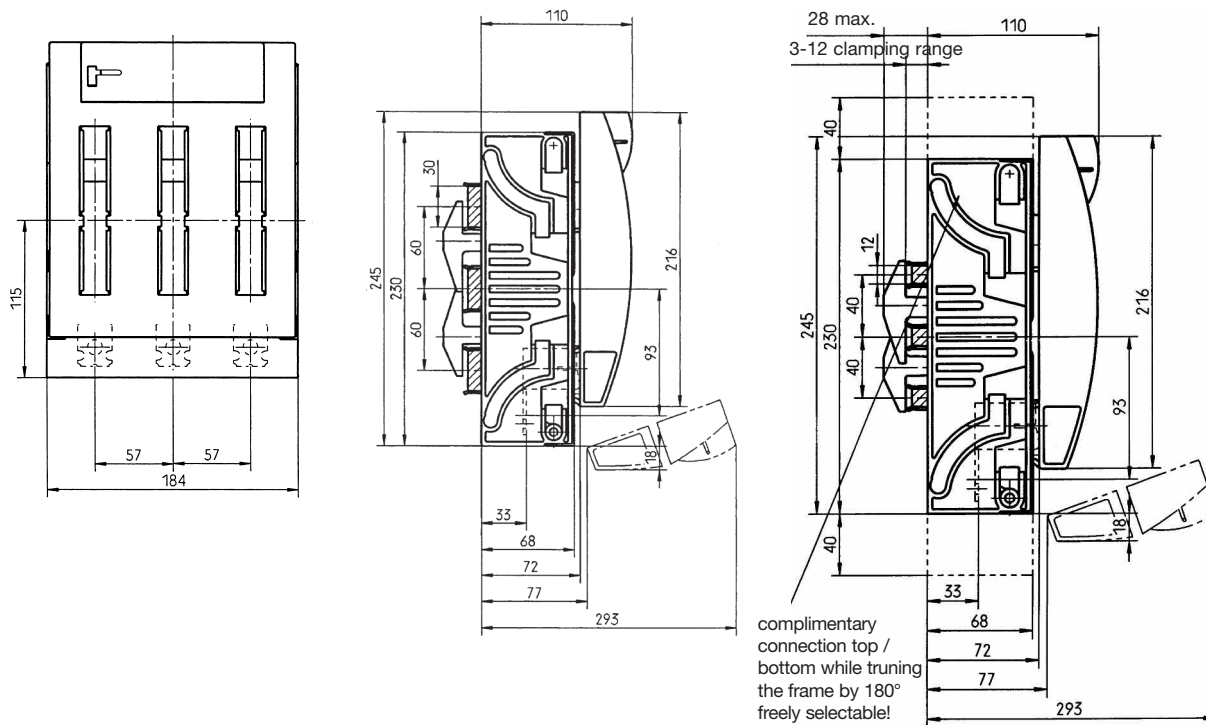
Dimensions drawings Size 00, 125/160 A



Dimensions drawings Size 1, 250 A

60er busbar

40er busbar



NT-IN

NH Fuse-Switches for busbar system 60 mm centre distance, hook contacting

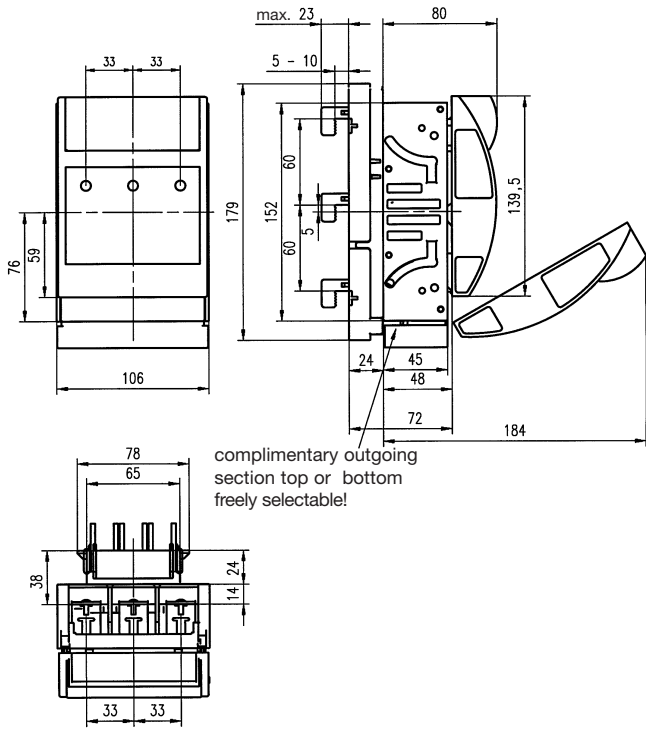
Branch top

Description	Size	Amps I _{th}	Order no.	Description	Pack	Weight
Multiple use terminal (screw M8)	00	160	39660-0000	NH-Latr SB 00IN 60 U5K43	2	0,90
Multiple use terminal (screw M10)	1	250	39212-0000	NH-Latr SB 1IN 60 U2K92	1	2,50
Multiple use terminal (screw M10)	2	400	39222-0000	NH-Latr SB 2IN 60 U2K92	1	3,25
Multiple use terminal (screw M10)	3	630	39232-0000	NH-Latr SB 3IN 60 U2K92	1	5,30

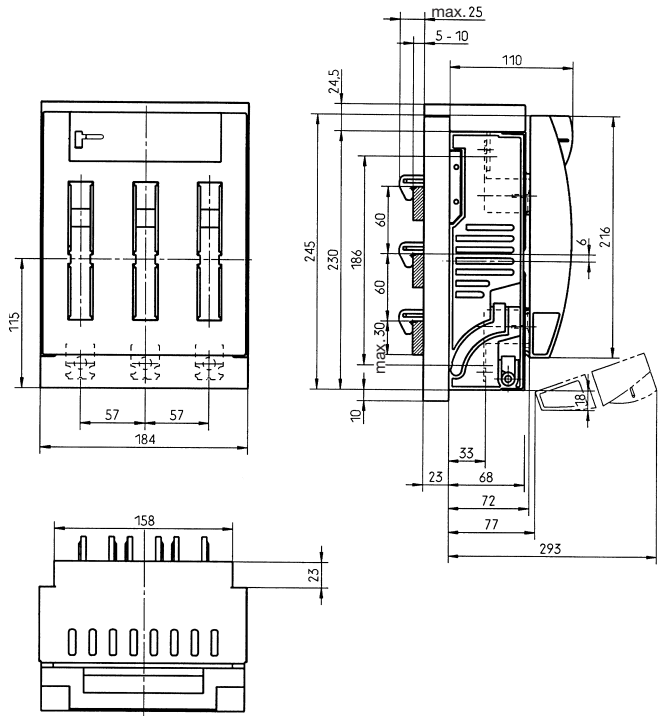
Branch bottom

Description	Size	Amps I _{th}	Order no.	Description	Pack	Weight
Box terminal 1,5–50 mm ²	00	125	39665-2000	NH-Latr SB 00IN 60 K43R2	2	0,90
Multiple use terminal (screw M8)	00	160	39660-2000	NH-Latr SB 00IN 60 K43U5	2	0,90
Multiple use terminal (screw M10)	1	250	39212-2000	NH-Latr SB 1IN 60 K92U2	1	2,50
Multiple use terminal (screw M10)	2	400	39222-2000	NH-Latr SB 2IN 60 K92U2	1	3,25
Multiple use terminal (screw M10)	3	630	39232-2000	NH-Latr SB 3IN 60 K92U2	1	5,30

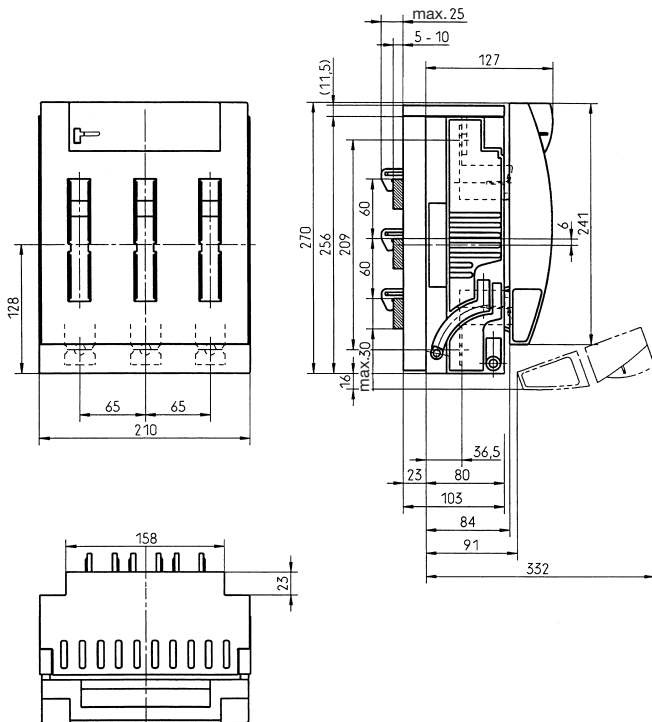
Dimensions drawings Size 00, 160 A



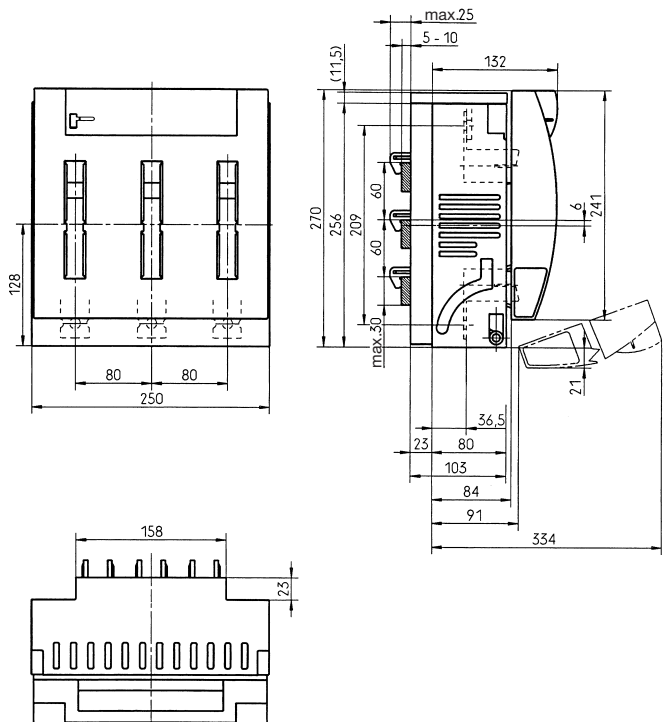
Dimensions drawings Size 1, 250 A



Dimensions drawings Size 2, 400 A



Dimensions drawings Size 3, 630 A



NT-IN

NH Fuse-Switches IN

Technical data

NH Fuse-Switches for busbar system 100 mm centre distance, hook contacting

Branch top

Description	Size	Amps I _{th}	Order no.	Description	Branch cable	Pack	Weight
Multiple use terminal (screw M10)	1	250	39212-5000	NH-Latr SB 1IN 100 U2K93	Top	1	2,50
Multiple use terminal (screw M10)	2	400	39222-5000	NH-Latr SB 2IN 100 U2K93	Top	1	3,25
Multiple use terminal (screw M10)	3	630	39232-5000	NH-Latr SB 3IN 100 U2K93	Top	1	5,30

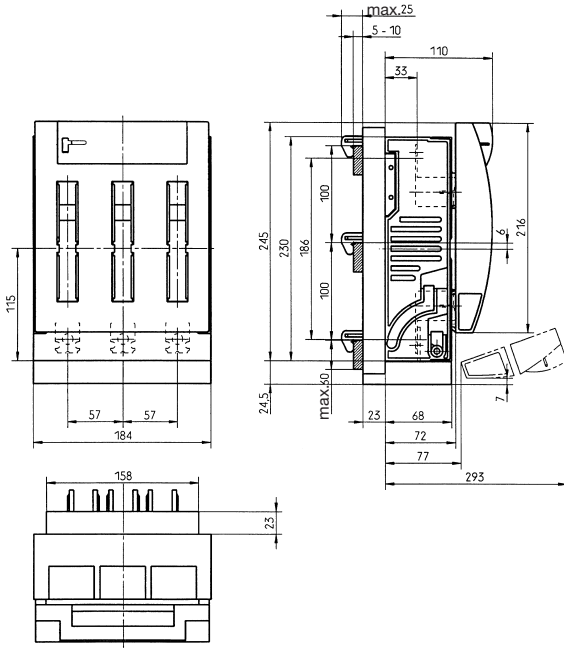
Branch bottom

Description	Size	Amps I _{th}	Order no.	Description	Branch cable	Pack	Weight
Multiple use terminal (screw M10)	1	250	39212-7000	NH-Latr SB 1IN 100 K93U2	Bottom	1	2,50
Multiple use terminal (screw M10)	2	400	39222-7000	NH-Latr SB 2IN 100 K93U2	Bottom	1	3,25
Multiple use terminal (screw M10)	3	630	39232-7000	NH-Latr SB 3IN 100 K93U2	Bottom	1	5,30

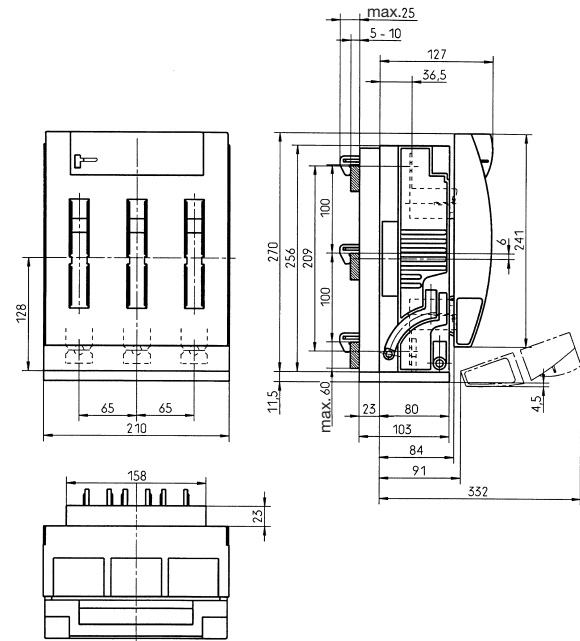
The frames in the table are for use of NH fuse-switches horizontal design series IN next to NH fuse-switch vertical design size 00 series IN in busbar systems with 60 mm and 100 mm distance.

Size	Order no.	Description	Pack
1	40646-0100	Frame Size 1IN	1
2	31596-0100	Frame Size 2IN	1
3	31597-0100	Frame Size 3IN	1

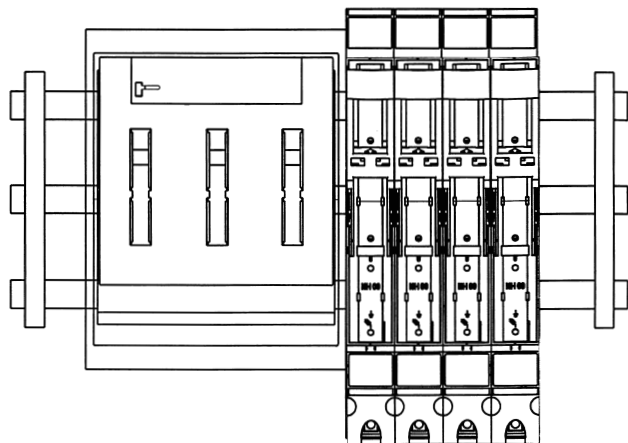
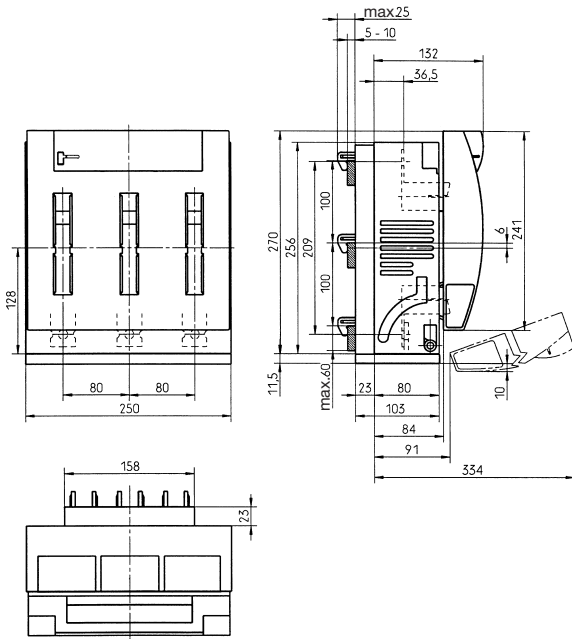
Dimensions drawings Size 1, 250 A



Dimensions drawings Size 2, 400 A



Dimensions drawings Size 1, 250 A



NT-IN

NH Fuse-Switches baseplate mounting with electronical fuse monitoring

Description	Size	Amps I _{th}	Order no.	Description	Branch	Feeding	Pack	Weight
Multiple use terminal (screw M8)	00	160	34060-0130	NH-Latr 00IN ESF AU MA U5U5	Bottom	Top	1	0,54
Multiple use terminal (screw M8)	00	160	34060-0131	NH-Latr 00IN ESF AO MA U5U5	Top	Bottom	1	0,54

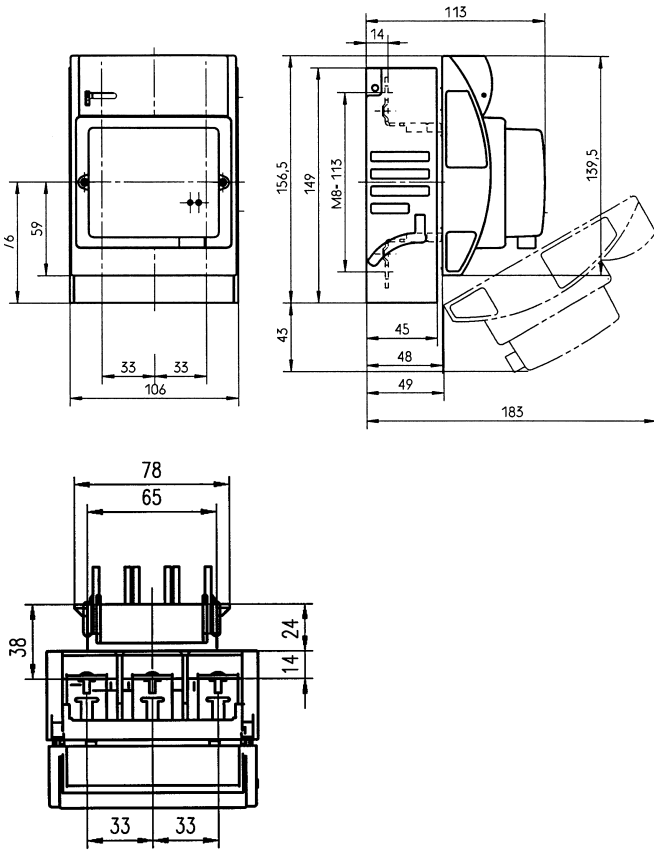
Description	Size	Amps I _{th}	Order no.	Description	Branch	Feeding	Pack	Weight
Multiple use terminal (screw M10)	1	250	34162-0130	NH-Latr 1 IN ESF AU MA U2U2	Bottom	Top	1	2,10
Multiple use terminal (screw M10)	1	250	34162-0131	NH-Latr 1 IN ESF AO MA U2U2	Top	Bottom	1	2,10

Description	Size	Amps I _{th}	Order no.	Description	Branch	Feeding	Pack	Weight
Multiple use terminal (screw M10)	2	400	34262-0130	NH-Latr 2IN ESF AU MA U2U2	Bottom	Top	1	3,25
Multiple use terminal (screw M10)	2	400	34262-0131	NH-Latr 2 IN ESF AO MA U2U2	Top	Bottom	1	3,25

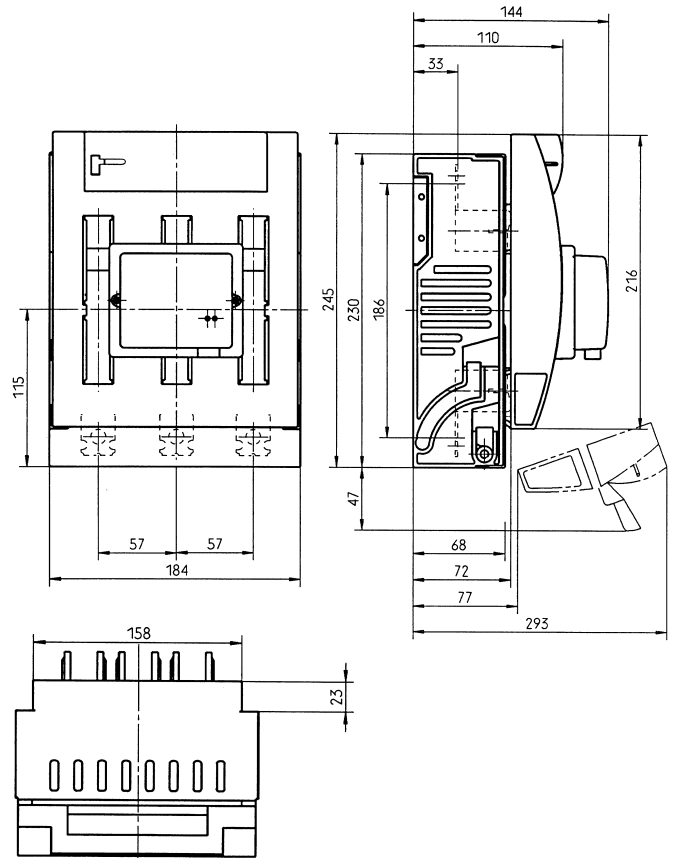
Description	Size	Amps I _{th}	Order no.	Description	Branch	Feeding	Pack	Weight
Multiple use terminal (screw M10)	3	630	34362-0130	NH-Latr 3IN ESF AU MA U2U2	Bottom	Top	1	5,30
Multiple use terminal (screw M10)	3	630	34362-0131	NH-Latr 3IN ESF AO MA U2U2	Top	Bottom	1	5,30

Devices for busbar mounting on demand.

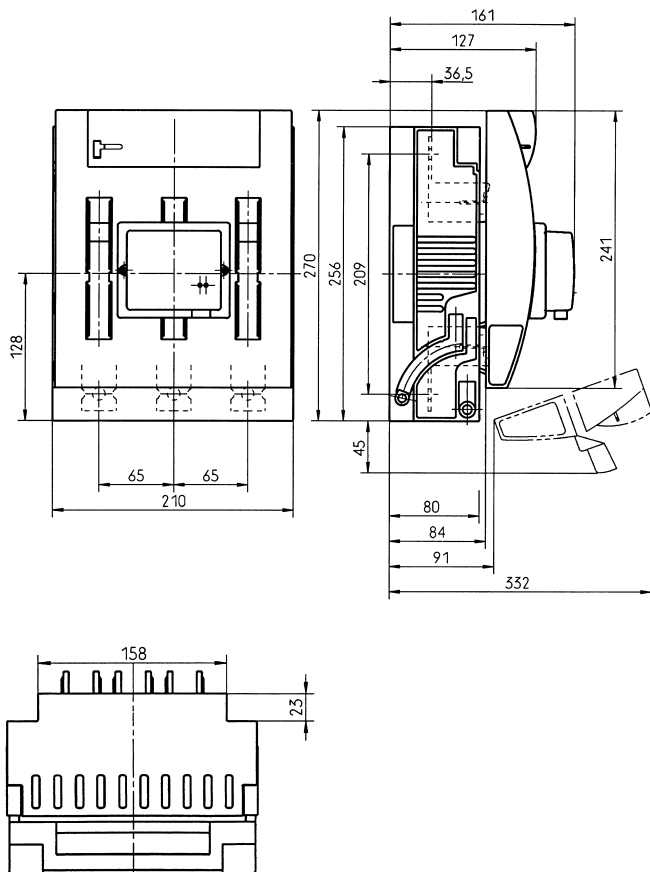
Dimensions drawings Size 00, 160 A



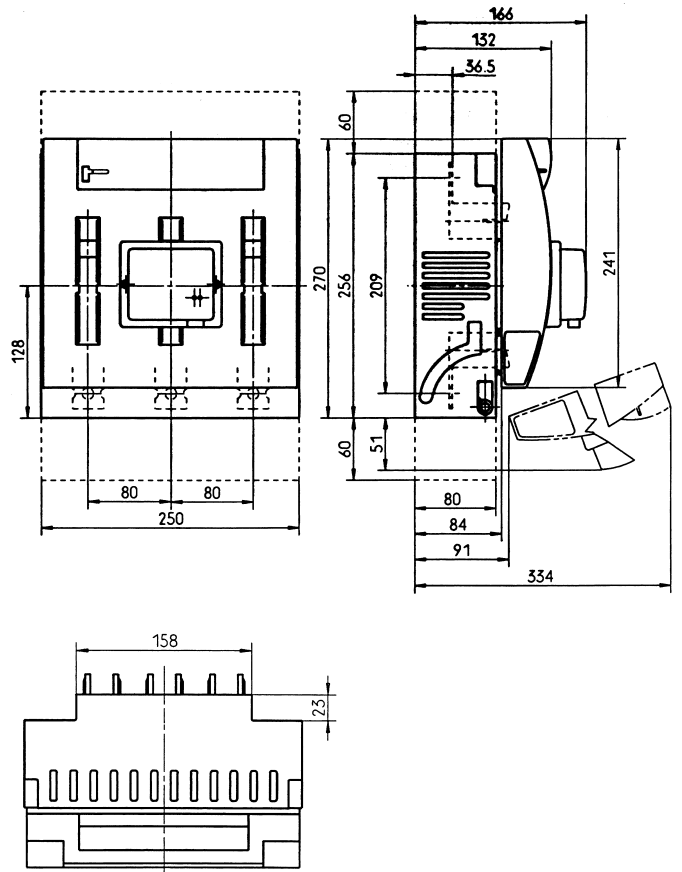
Dimensions drawings Size 1, 250 A



Dimensions drawings Size 2, 400 A



Dimensions drawings Size 3, 630 A



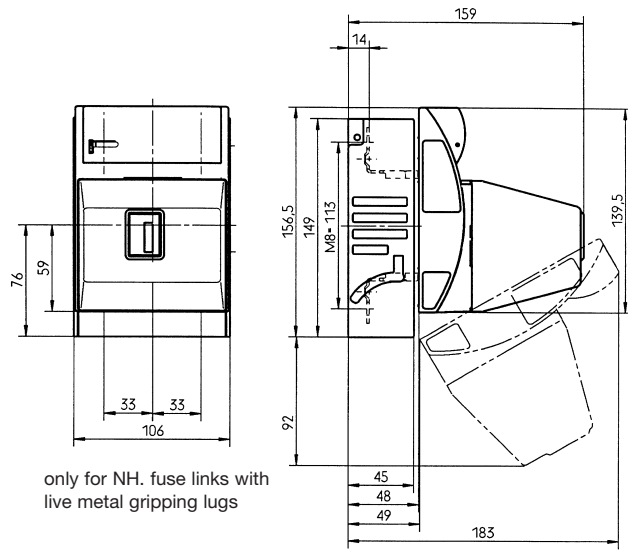
NT-IN

NH Fuse-Switches for baseplate mounting, with mechanical fuse monitoring

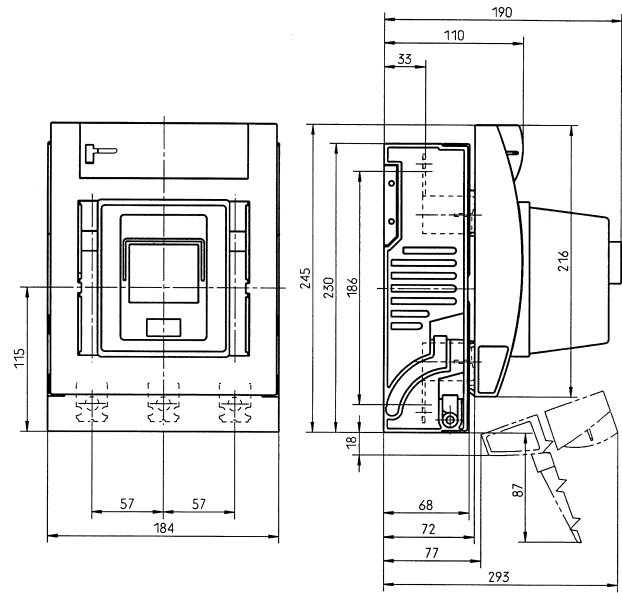
Description	Size	Amps I_{th}	Order no.	Description	Pack	Weight
Multiple use terminal (screw M8)	00	160	34060-0030	NH-Latr 00IN SN/SG U5U5	1	1,10
Multiple use terminal (screw M10)	1	250	34162-0030	NH-Latr 1IN SN/SG U2U2	1	2,40
Multiple use terminal (screw M10)	2	400	34262-0030	NH-Latr 2IN SN/SG U2U2	1	3,50
Multiple use terminal (screw M10)	3	630	34362-0030	NH-Latr 3IN SN/SG U2U2	1	5,60

Devices for busbar mounting on demand.

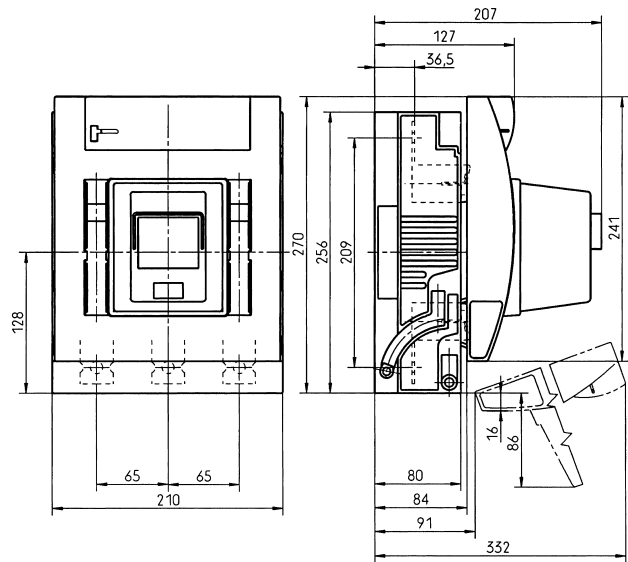
Dimensions drawings Size 00, 160 A



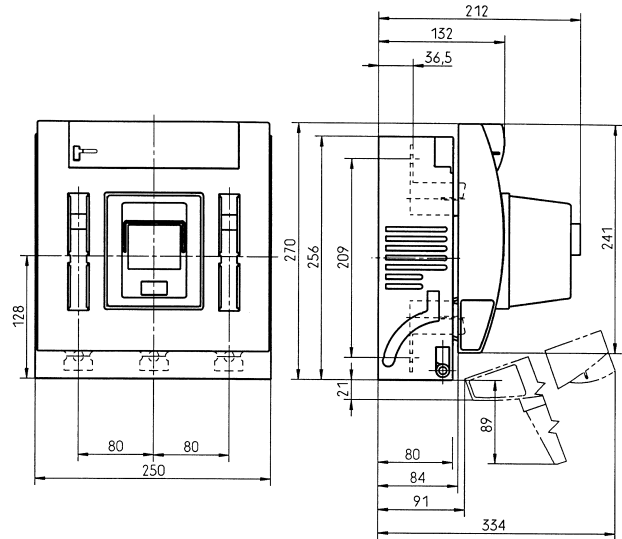
Dimensions drawings Size 1, 250 A



Dimensions drawings Size 2, 400 A



Dimensions drawings Size 3, 630 A

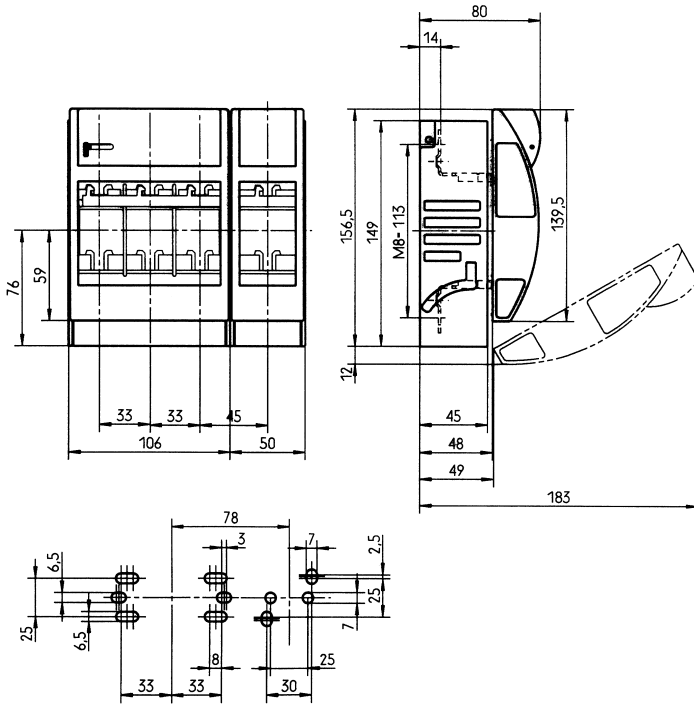


NT-IN

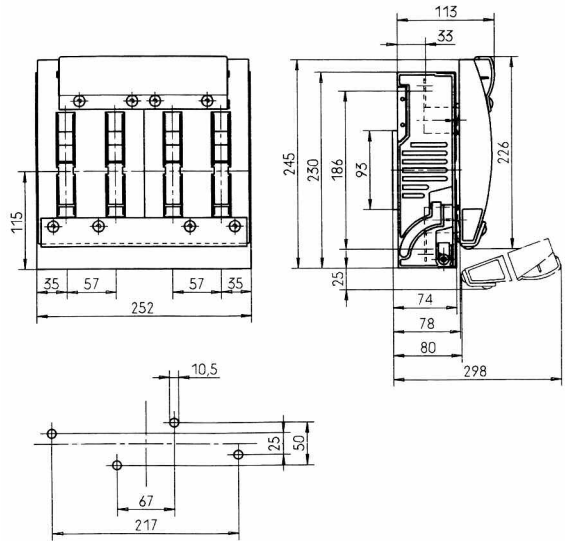
NH Fuse-Switches, 4-pole switching for baseplate mounting

Description	Size	Amps I _{th}	Order no.	Description	Pack	Weight
Screw terminal M8	00	160	34060-4000	NH-Latr 00IN 4P U5U5	1	0,75
Screw terminal M10	1	250	34162-4000	NH-Latr 1IN 4P U2U2	1	3,70
Screw terminal M10	2	400	34262-4000	NH-Latr 2IN 4P U2U2	1	7,70
Screw terminal M10	3	630	34362-4000	NH-Latr 3IN 4P U2U2	1	8,60
Screw terminal M16, 1-pole switching	4a	1250	34440-0000	NH-Latr 4A 4P EP L8L8	1	14,00

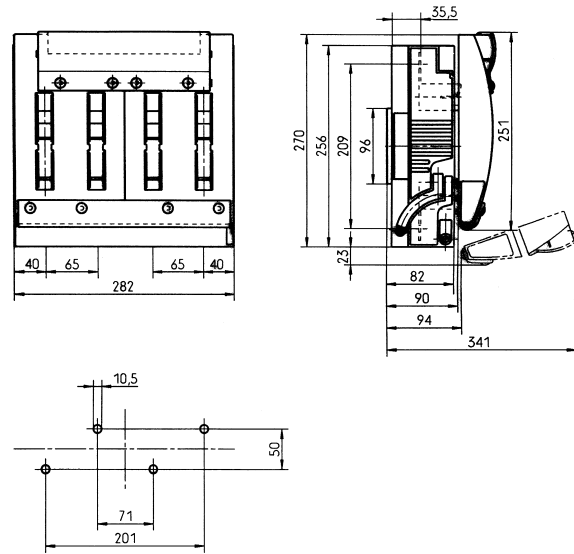
Dimensions drawings Size 00, 160 A



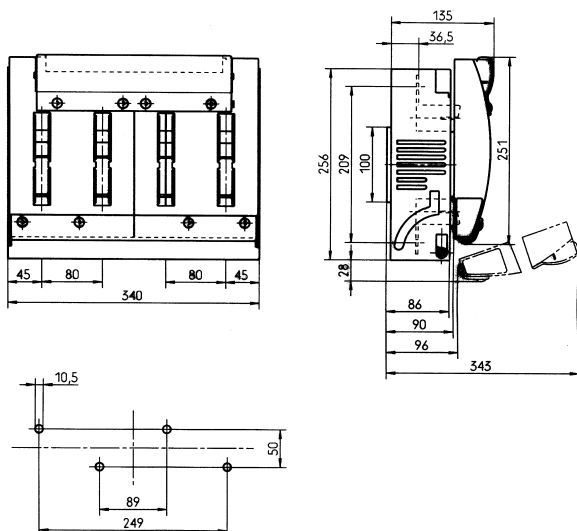
Dimensions drawings Size 1, 250 A



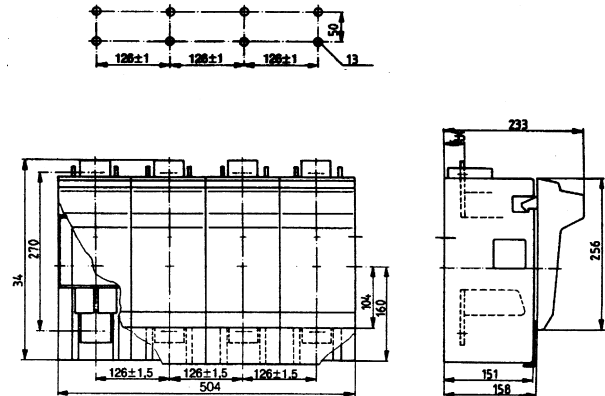
Dimensions drawings Size 2, 400 A



Dimensions drawings Size 3, 630 A



Dimensions drawings Size 4a, 1250 A

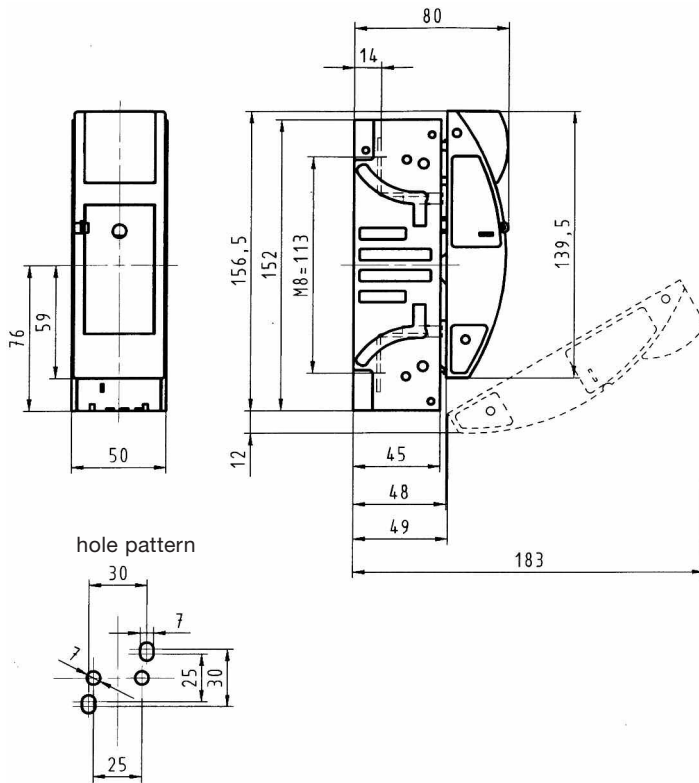


NT-IN

NH Fuse-Switches, 1-pole for for baseplate or busbar mounting

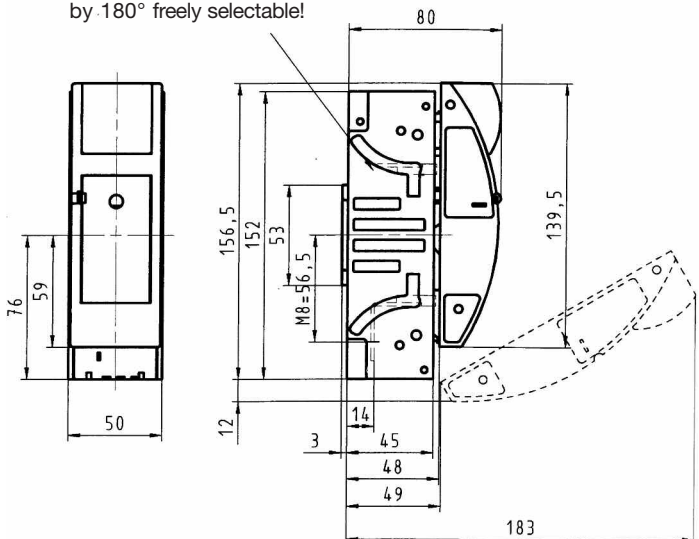
Description	Size	Amps I _{th}	Order no.	Description	Pack	Weight
with Multiple use terminal (screw M8)	00	160	33136-0010	NH-LATR 00IN 1P U5U5	2	0,350
with Multiple use terminal (screw M8), for busbar mounting	00	160	33137-0010	NH-LATR 00IN 1P SB U5	2	0,350

Dimensions drawings 33136-0010



Dimensions drawings 33137-0010

complimentary connection top /
bottom while turning the frame
by 180° freely selectable!



connection at busbar rail

NT-IN