

DATA SHEET: TEMBREAK 2 S400-PJ MCCB

MCCB Electrical Characteristics to IEC 60947-2, EN 60947-2, JIS C 8201-2-1 ANN.1, AS/NZS 3947-2, NEMA AB-1

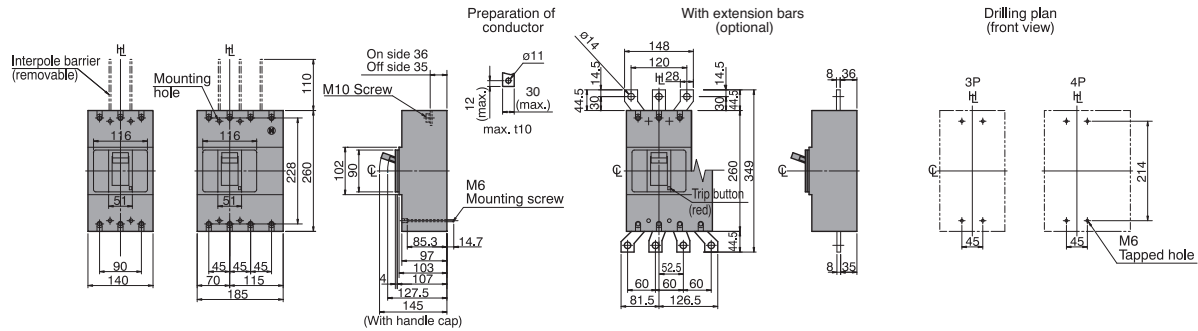
Frame Reference	Quantity	Unit	Condition	TB2 E/S 630
Max In (A) of Frame				630
Model				S400
Number of Poles				3, 4
Type				PJ
Nominal current ratings				
	I_n	(A)	50°C	250 400
Electrical characteristics				
Rated operational voltage	U_e	(V)	AC 50/60 Hz DC	690 250
Rated insulation voltage	U_i	(V)		800
Rated impulse withstand voltage	U_{imp}	(kV)		8
Ultimate breaking capacity (IEC, JIS, AS/NZS)	I_{cu}	(kA)	690V AC 525V AC 440V AC 400/415V AC 220/240V AC 250V DC	20 30 80 85 100 40
Service breaking capacity (IEC, JIS, AS/NZS)	I_{cs}	(kA)	690V AC 525V AC 440V AC 400/415V AC 220/240V AC 250V DC	15 30 80 85 85 40
Rated breaking capacity (NEMA)		(kA)	480V AC 240V AC	30 100
Rated short-time withstand current	I_{cw}	(kA)	0.3 Seconds	-
Protection				
Adjustable thermal, adjustable magnetic				■
Fixed thermal, fixed magnetic				
Microprocessor				
Utilisation category				A
Installation				
Front connection (FC)				■
Extension bar (FB)				•
Cable clamp (FW)				•
Rear connection (RC)				•
Plug-in (PM)				•
DIN rail mounting (DA)				-
Dimensions	height	(mm)		260
	width	(mm)	3 pole	140
		(mm)	4 pole	185
	depth	(mm)		103
Weight	weight	(kg)	3 pole	4.2
			4 pole	5.6
Operation				
Direct Opening Action				■
Toggle operation				■
Door mounted (HS) / Breaker mounted handle (HB)				•
Motor operation (MC)				•
Endurance	Electrical	cycles	415V AC	4,500
	Mechanical	cycles		15,000

DATA SHEET: TEMBREAK 2 S400-PJ MCCB

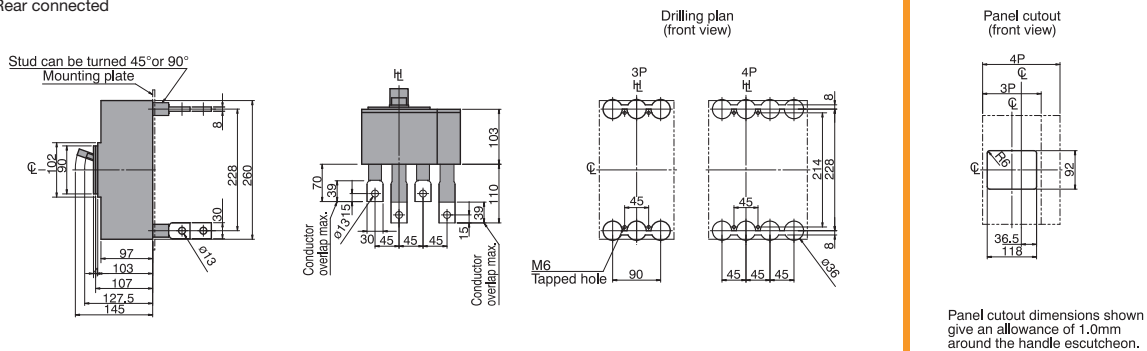
Outline Dimensions S400-PJ

ASL: Arrangement Standard Line Ht: Handle Frame Centre Line

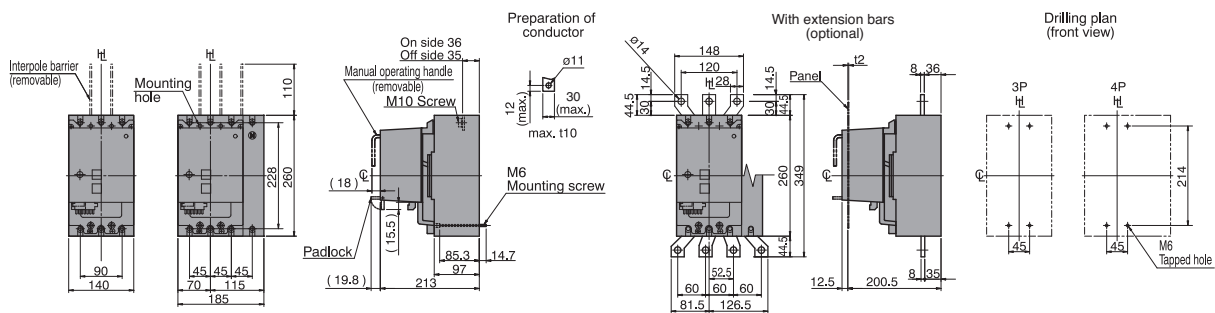
Front connected



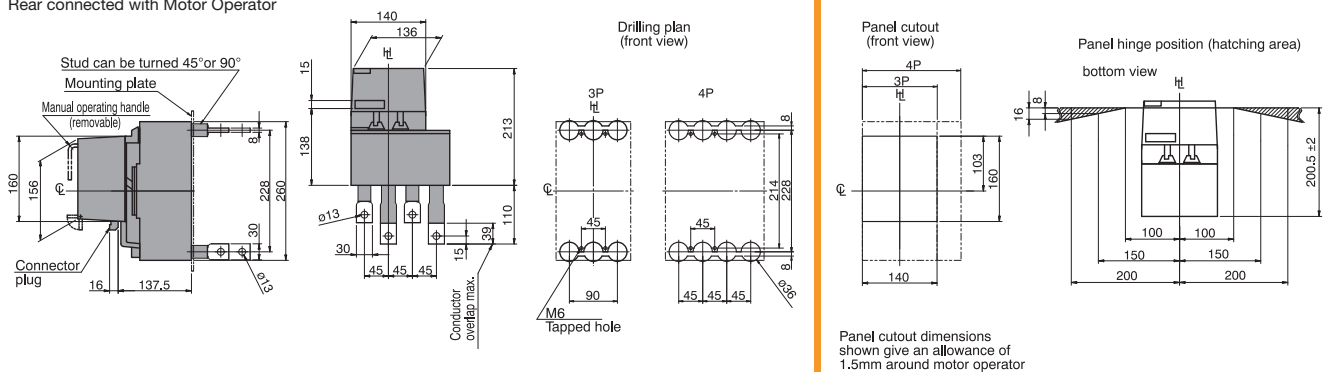
Rear connected



Front connected with Motor Operator



Rear connected with Motor Operator

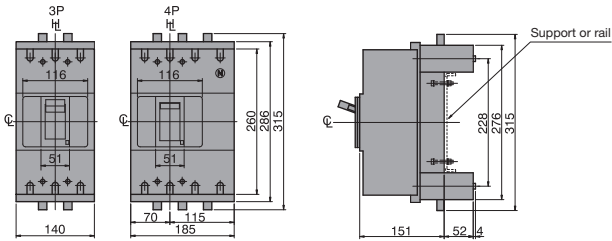


DATA SHEET: TEMBREAK 2 S400-PJ MCCB

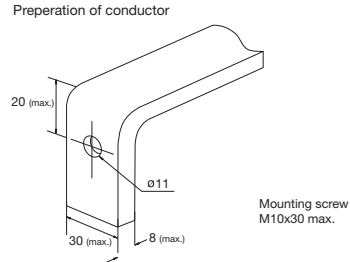
Outline Dimensions S400-PJ Plug-in Version

ASL: Arrangement Standard Line \overline{HL} : Handle Frame Centre Line

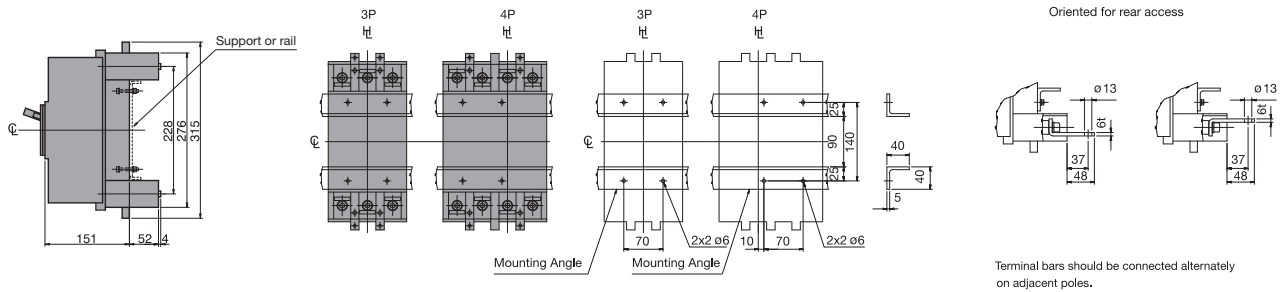
Outline Dimensions



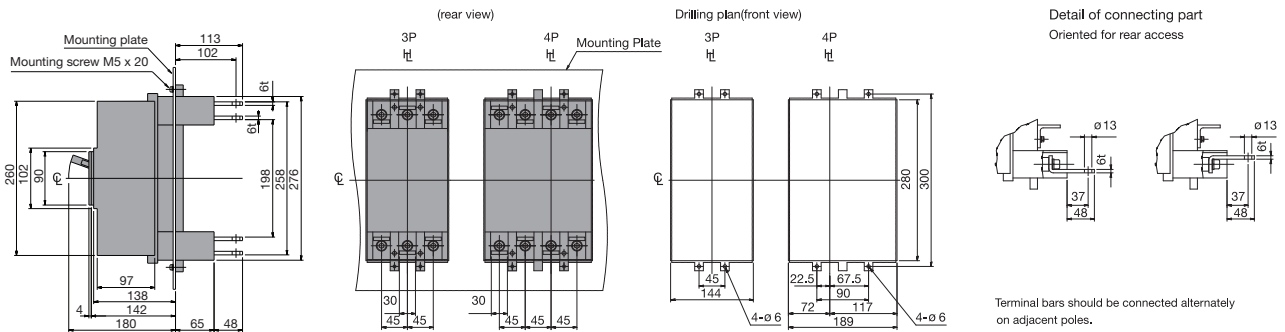
Termination of Busbar



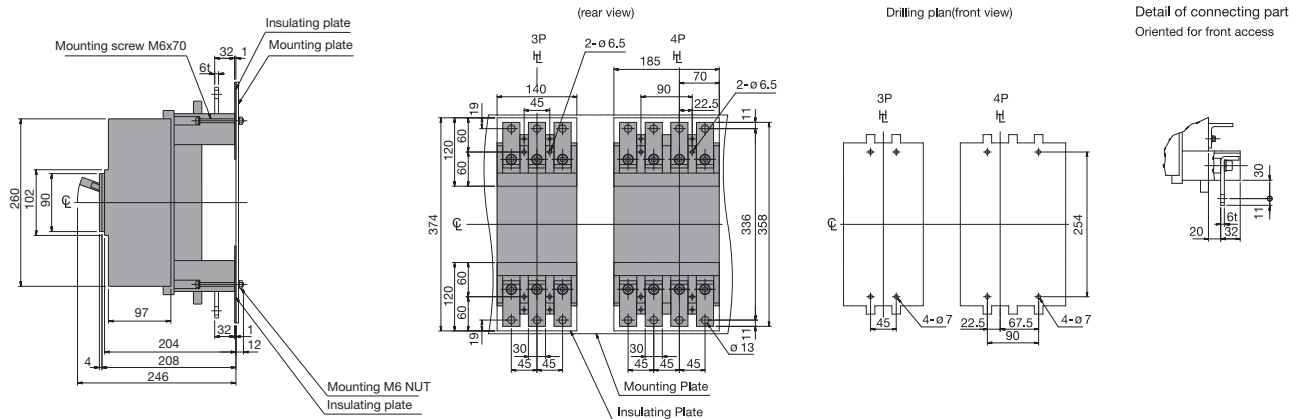
Mounting on a support or rails (shown with optional connection bars oriented for rear access)



Mounting through the backplate (shown with optional connection bars oriented for rear access)



Mounting on the backplate (optional connection bars must be oriented for front access)



DATA SHEET: TEMBREAK 2 S400-PJ MCCB

Time/Current Characteristic Curve S400-PJ

