

## DATA SHEET: TEMBREAK 2 S400-GJ MCCB

MCCB Electrical Characteristics to IEC 60947-2, EN 60947-2, JIS C 8201-2-1 ANN.1, AS/NZS 3947-2, NEMA AB-1

Frame Reference	Quantity	Unit	Condition	TB2 E/S 630
Max In (A) of Frame				630
Model				S400
Number of Poles				3, 4
Type				GJ
Nominal current ratings				
	$I_n$	(A)	50°C	250, 400
Electrical characteristics				
Rated operational voltage	$U_e$	(A)	AC 50/60 Hz DC	690 250
Rated insulation voltage	$U_i$	(V)		800
Rated impulse withstand voltage	$U_{imp}$	(kV)		8
Ultimate breaking capacity (IEC, JIS, AS/NZS)	$I_{cu}$	(kA)	690V AC 525V AC 440V AC 400/415V AC 220/240V AC 250V DC	20 30 65 70 100 40
Service breaking capacity (IEC, JIS, AS/NZS)	$I_{cs}$	(kA)	690V AC 525V AC 440V AC 400/415V AC 220/240V AC 250V DC	15 30 50 50 85 40
Rated breaking capacity (NEMA)		(kA)	480V AC 240V AC	30 100
Protection				
Adjustable thermal, adjustable magnetic Fixed thermal, fixed magnetic Microprocessor Utilisation category				■  A
Installation				
Front connection (FC) Extension bar (FB) Cable clamp (FW) Rear connector (RC) Plug-in (PM) Din rail mounting (DA) Dimensions	height width	(mm) (mm)	3 pole, (1 pole) 4 pole	■ ● ● ● ● - 260 140 185
Weight	depth weight	(mm) (kg)	3 pole, (1 pole) 4 pole	103 4.2 5.6
Operation				
Direct Opening Action Toggle operation Door mounted (HS) / breaker mounted handle (HB) Motor operation (MC)				■ ■ ● ●
Endurance	Electrical Mechanical	cycles cycles	415V AC	4,500 15,000

■ Standard ● Optional - Not Available

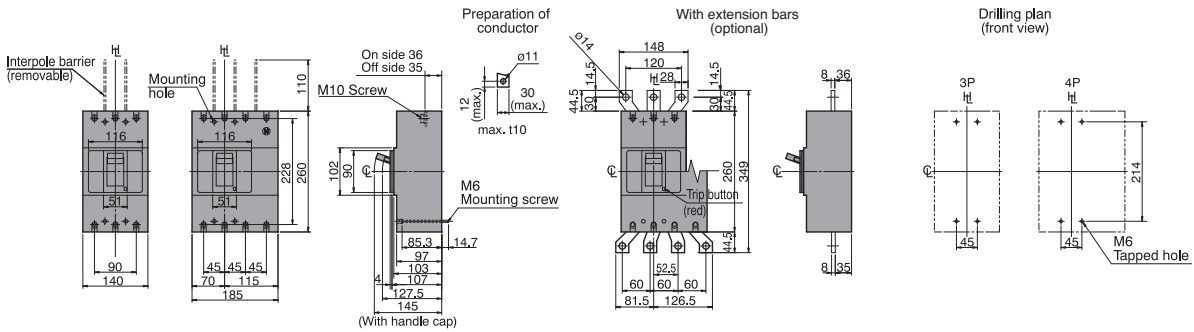
\* Applies to 20A to 32A models

# DATA SHEET: TEMBREAK 2 S400-GJ MCCB

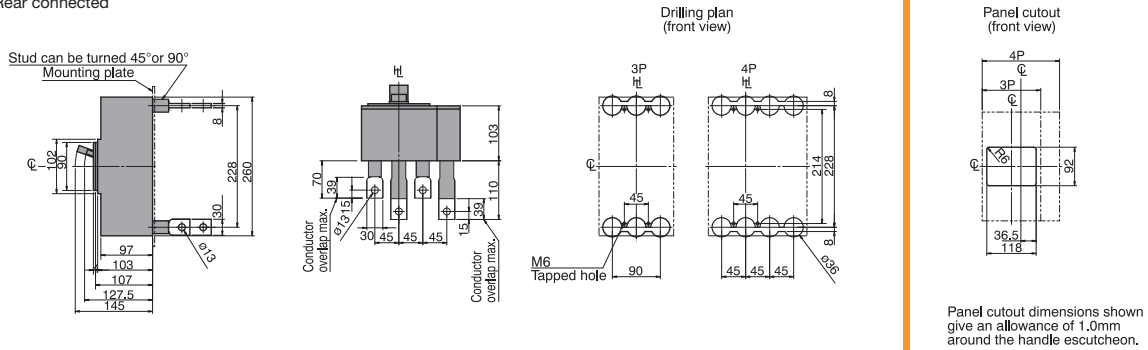
## Outline Dimensions S400-GJ

ASL: Arrangement Standard Line  $h_t$ : Handle Frame Centre Line

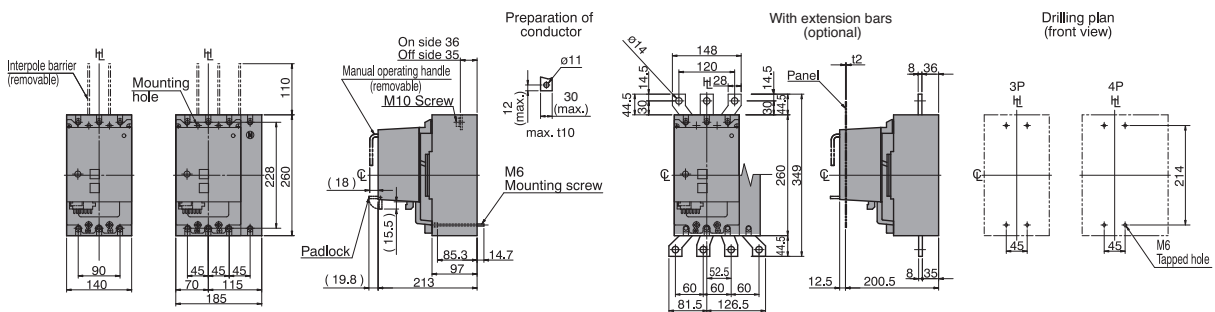
### Front connected



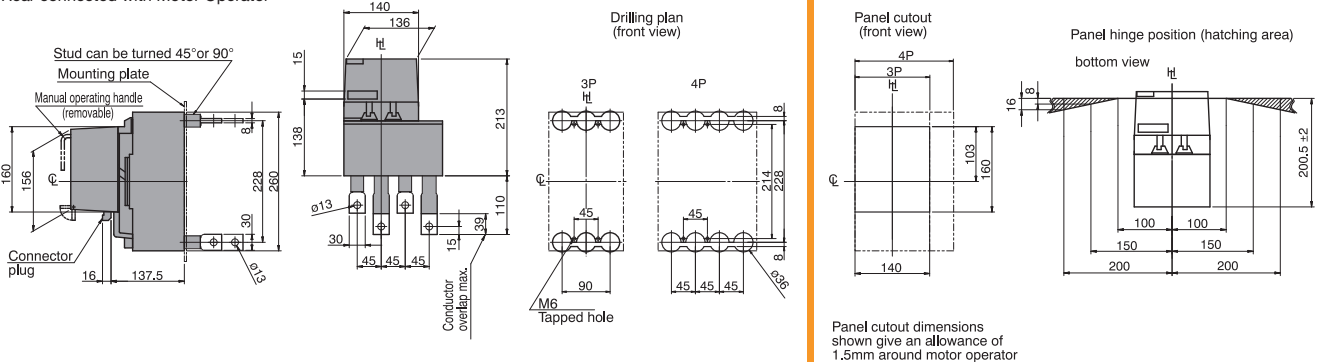
### Rear connected



### Front connected with Motor Operator



### Rear connected with Motor Operator

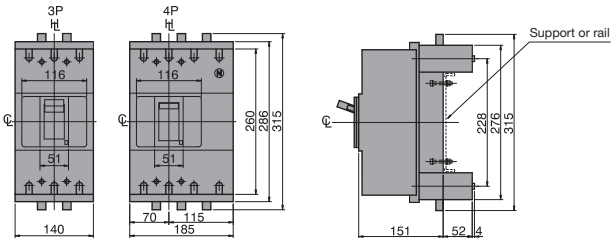


# DATA SHEET: TEMBREAK 2 S400-GJ MCCB

## Outline Dimensions S400-GJ Plug-in Version

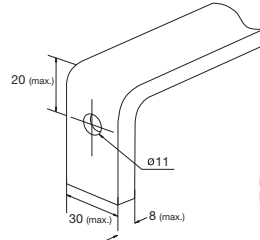
ASL: Arrangement Standard Line  $\overline{HL}$ : Handle Frame Centre Line

### Outline Dimensions



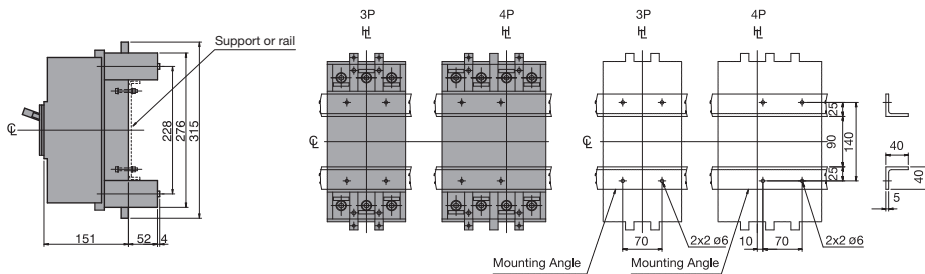
### Termination of Busbar

#### Preparation of conductor

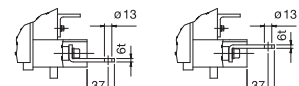


Mounting screw  
M10x30 max.

### Mounting on a support or rails (shown with optional connection bars oriented for rear access)

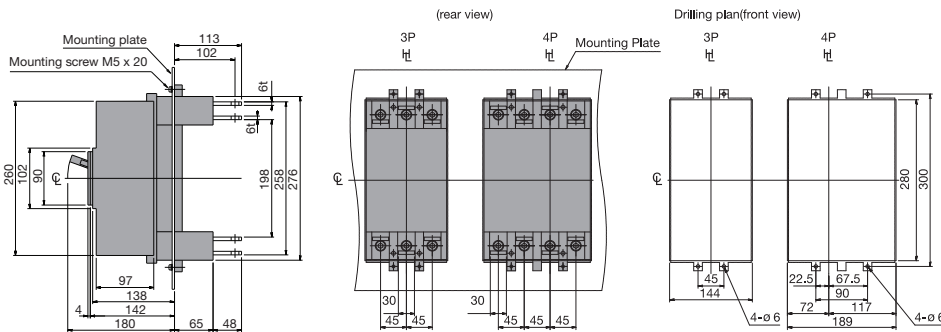


#### Detail of connecting part Oriented for rear access

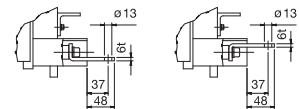


Terminal bars should be connected alternately  
on adjacent poles.

### Mounting through the backplate (shown with optional connection bars oriented for rear access)

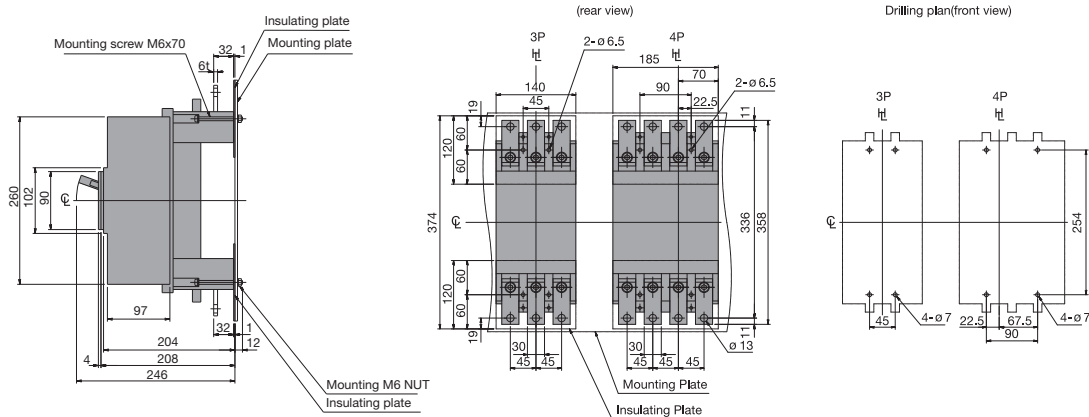


#### Detail of connecting part Oriented for rear access

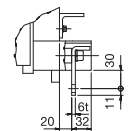


Terminal bars should be connected alternately  
on adjacent poles.

### Mounting on the backplate (optional connection bars must be oriented for front access)



#### Detail of connecting part Oriented for front access



# DATA SHEET: TEMBREAK 2 S400-GJ MCCB

## Time/Current Characteristic Curve S400-GJ

