

## DATA SHEET: TEMBREAK 2 S250-NJ MCCB

MCCB Electrical Characteristics to IEC 60947-2, EN 60947-2, JIS C 8201-2-1 ANN.1, AS/NZS 3947-2, NEMA AB-1

Frame Reference	Quantity	Unit	Condition	TB2 S250
Max In (A) of Frame				250
Model Number of Poles Type				S250 3, 4 NJ
Nominal current ratings				
	$I_n$	(A)	50°C	160 200 250
Electrical characteristics				
Rated operational voltage	$U_e$	(A)	AC 50/60 Hz DC	690 250
Rated insulation voltage	$U_i$	(V)		800
Rated impulse withstand voltage	$U_{imp}$	(kV)		8
Ultimate breaking capacity (IEC, JIS, AS/NZS)	$I_{cu}$	(kA)	690V AC 525V AC 440V AC 400/415V AC 220/240V AC 250V DC	7.5 25 25 36 65 40
Service breaking capacity (IEC, JIS, AS/NZS)	$I_{cs}$	(kA)	690V AC 525V AC 440V AC 400/415V AC 220/240V AC 250V DC	7.5 25 25 36 65 40
Rated breaking capacity (NEMA)		(kA)	480V AC 240V AC	22 65
Protection				
Adjustable thermal, adjustable magnetic Fixed thermal, fixed magnetic Microprocessor Utilisation category				■   A
Installation				
Front connection (FC) Extension bar (FB) Cable clamp (FW) Rear connector (RC) Plug-in (PM) Din rail mounting (DA) Dimensions	height width	(mm) (mm)	3 pole, (1 pole) 4 pole	■ ● ● ● ● - 165 105 140
Weight	depth weight	(mm) (kg)	3 pole, (1 pole) 4 pole	68 1.5 1.9
Operation				
Direct Opening Action Toggle operation Door mounted (HS) / breaker mounted handle (HB) Motor operation (MC)				■ ■ ● ●
Endurance	Electrical Mechanical	cycles cycles	415V AC	10,000 30,000

■ Standard    ● Optional    - Not Available

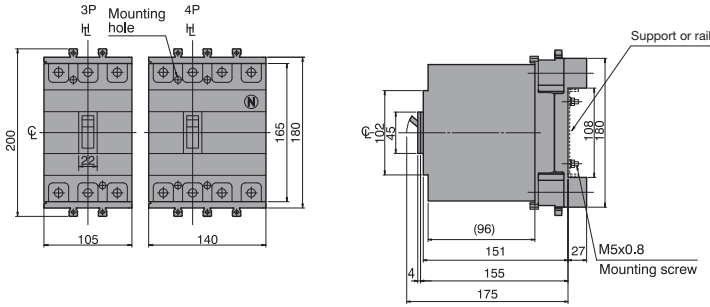


# DATA SHEET: TEMBREAK 2 S250-NJ MCCB

## Outline Dimensions: S250-NJ, Plug-in Version

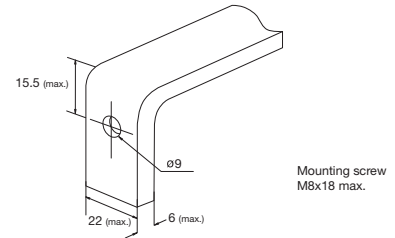
ASL: Arrangement Standard Line  $\perp$ : Handle Frame Centre Line

### Outline Dimensions

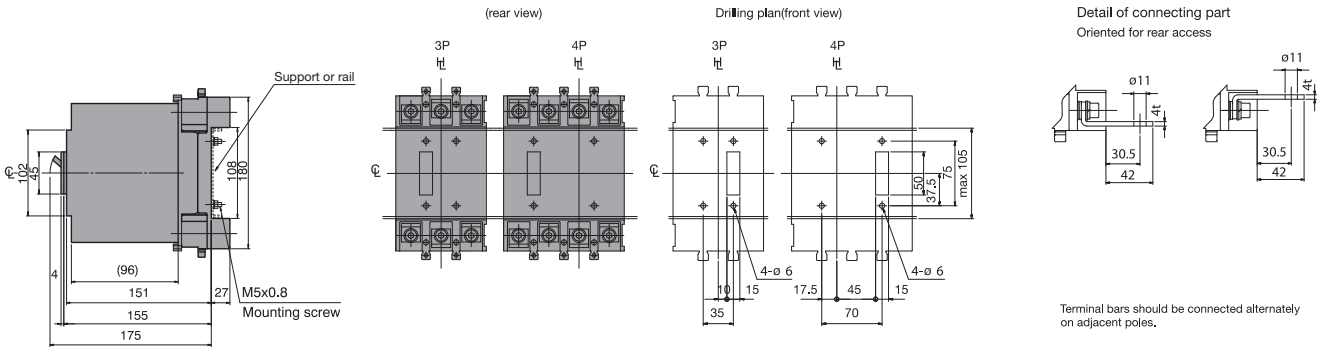


### Termination of Busbar

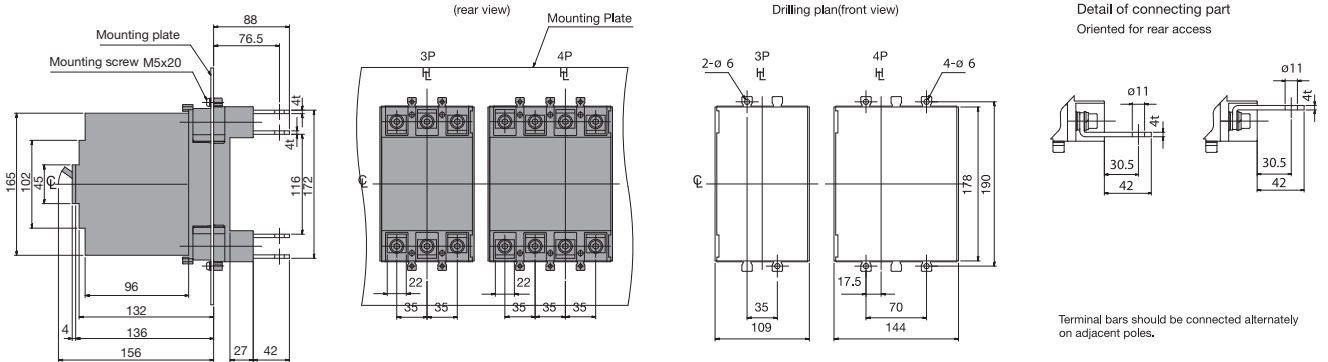
#### Preparation of conductor



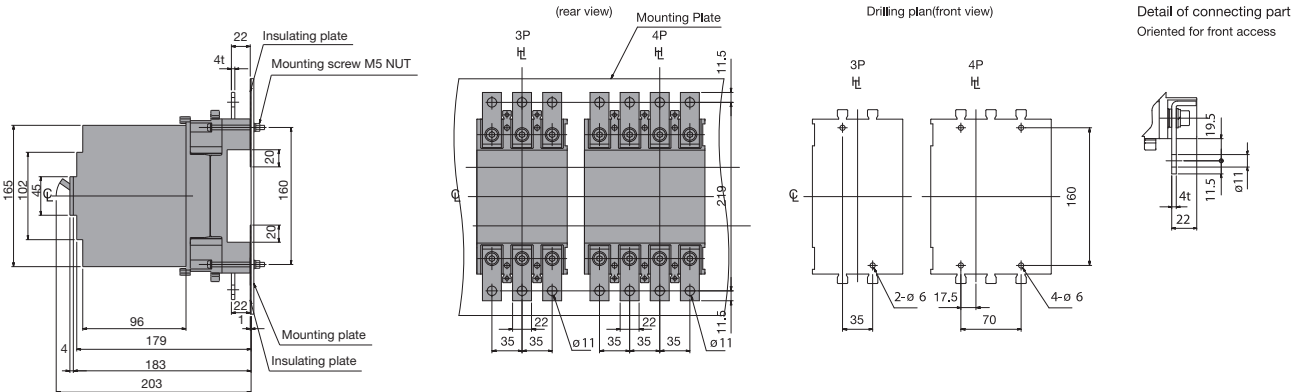
### Mounting on a support or rails (shown with optional connection bars oriented for rear access)



### Mounting through the backplate (shown with optional connection bars oriented for rear access)



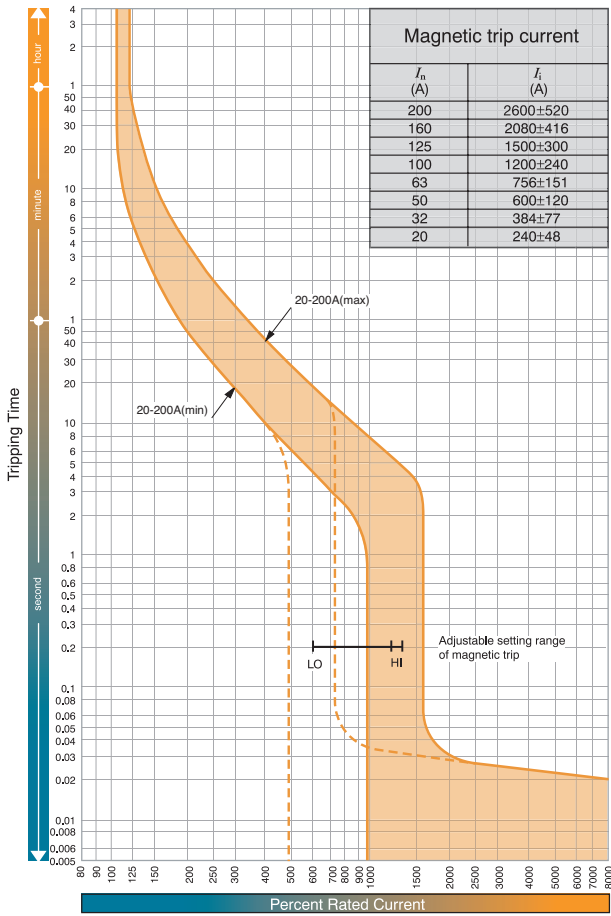
### Mounting on the backplate (optional connection bars must be oriented for front access)



## DATA SHEET: TEMBREAK 2 S250-NJ MCCB

### Time/Current Characteristic Curves

S250-NJ, (20A to 200A)



### Time/Current Characteristic Curves

S250-NJ, (250A)

