

DATA SHEET: TEMBREAK 2 S250-GJ MCCB

MCCB Electrical Characteristics to IEC 60947-2, EN 60947-2, JIS C 8201-2-1 ANN.1, AS/NZS 3947-2, NEMA AB-1

Frame Reference	Quantity	Unit	Condition	TB2 S250
Max In (A) of Frame				250
Model Number of Poles Type				S250 3, 4 GJ
Nominal current ratings				
	I_n	(A)	50°C	160,200,250
Electrical characteristics				
Rated operational voltage	U_e	(A)	AC 50/60 Hz DC	690 250
Rated insulation voltage	U_i	(V)		800
Rated impulse withstand voltage	U_{imp}	(kV)		8
Ultimate breaking capacity (IEC, JIS, AS/NZS)	I_{cu}	(kA)	690V AC 525V AC 440V AC 400/415V AC 220/240V AC 250V DC	7.5 25 50 65 85 40
Service breaking capacity (IEC, JIS, AS/NZS)	I_{cs}	(kA)	690V AC 525V AC 440V AC 400/415V AC 220/240V AC 250V DC	7.5 25 25 36 85 40
Rated breaking capacity (NEMA)		(kA)	480V AC 240V AC	25 85
Protection				
Adjustable thermal, adjustable magnetic Fixed thermal, fixed magnetic Microprocessor Utilisation category				■ A
Installation				
Front connection (FC) Extension bar (FB) Cable clamp (FW) Rear connector (RC) Plug-in (PM) Din rail mounting (DA) Dimensions	height width	(mm) (mm)	3 pole, (1 pole) 4 pole	■ ● ● ● ● - 165 105 140
Weight	depth weight	(mm) (kg)	3 pole, (1 pole) 4 pole	68 1.5 1.9
Operation				
Direct Opening Action Toggle operation Door mounted (HS) / breaker mounted handle (HB) Motor operation (MC)				■ ■ ● ●
Endurance	Electrical Mechanical	cycles cycles	415V AC	10,000 30,000

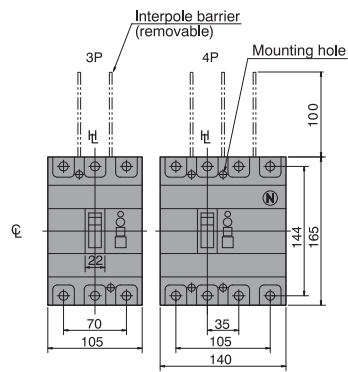
■ Standard ● Optional - Not Available

DATA SHEET: TEMBREAK 2 S250-GJ MCCB

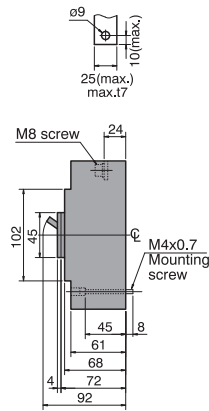
Outline Dimensions S250-GJ

ASL: Arrangement Standard Line Ht: Handle Frame Centre Line

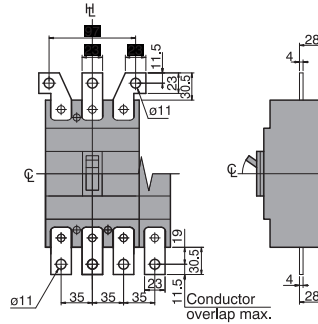
Front connected



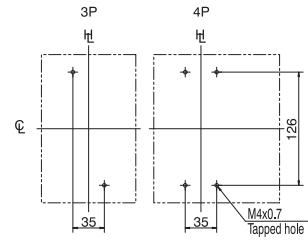
Preparation of conductor



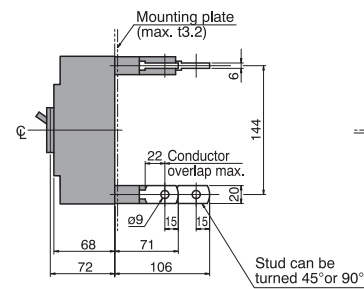
With extension bars (optional)



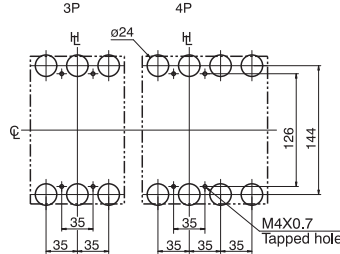
Drilling plan



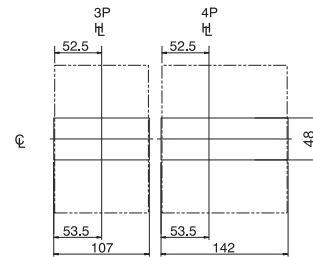
Rear connected



Drilling plan

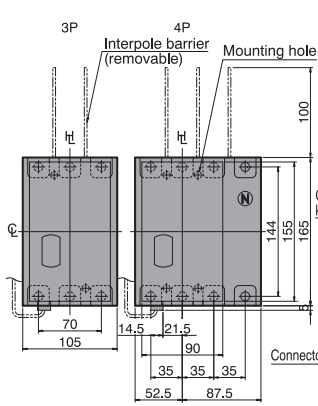


Panel cutout (Front view)

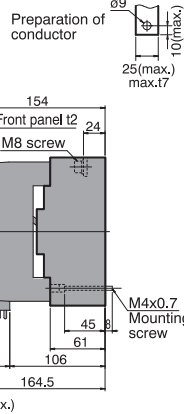


Panel cutout dimensions shown give an allowance of 1.0mm or more around the handle escutcheon.

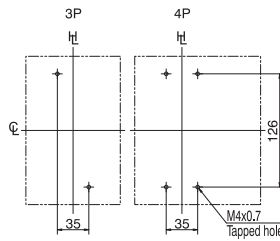
Front connected with Motor Operator



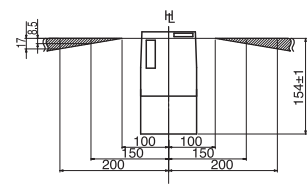
Preparation of conductor



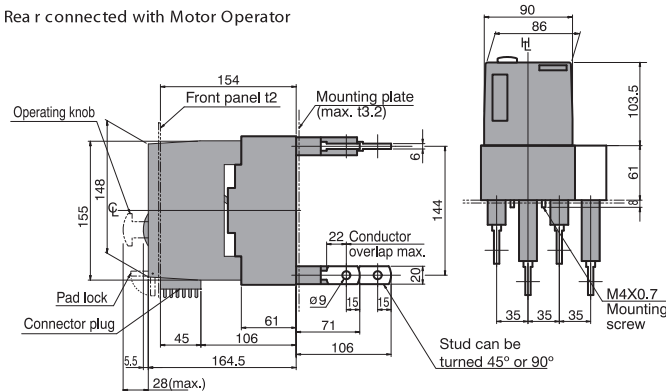
Drilling plan



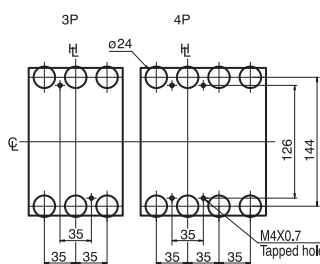
Panel hinge position (hatching area) bottom view



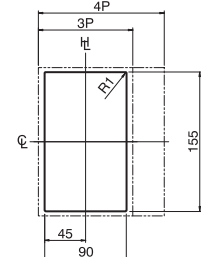
Rear connected with Motor Operator



Drilling plan



Panel cutout (Front view)

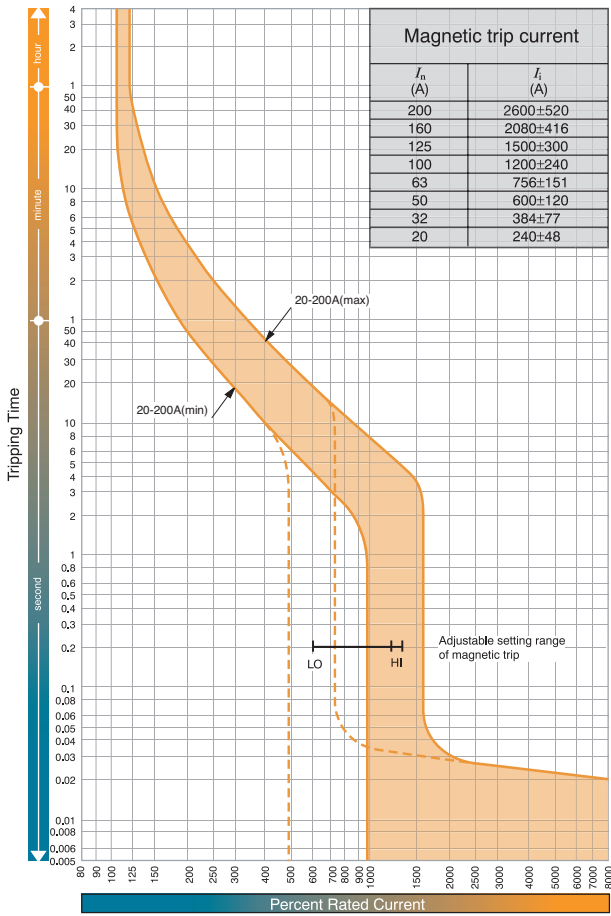


Panel cutout dimensions shown give an allowance of 1.5mm around the handle escutcheon.

DATA SHEET: TEMBREAK 2 S250-GJ MCCB

Time/Current Characteristic Curves

S250-GJ, (20A to 200A)



Time/Current Characteristic Curves

S250-GJ, (250A)

