

## DATA SHEET: TEMBREAK 2 S160-NJ MCCB

MCCB Electrical Characteristics to IEC 60947-2, EN 60947-2, JIS C 8201-2-1 ANN.1, AS/NZS 3947-2, NEMA AB-1

Frame Reference	Quantity	Unit	Condition	TB2 S250
Max In (A) of Frame				160
Model				S160
Number of Poles				3, 4
Type				NJ
Nominal current ratings				
	$I_n$	(A)	50°C	20, 32, 50 63, 100, 125, 160
Electrical characteristics				
Rated operational voltage	$U_e$	(A)	AC 50/60 Hz DC	690 250
Rated insulation voltage	$U_i$	(V)		800
Rated impulse withstand voltage	$U_{imp}$	(kV)		8
Ultimate breaking capacity (IEC, JIS, AS/NZS)	$I_{cu}$	(kA)	690V AC 525V AC 440V AC 400/415V AC 220/240V AC 250V DC	7.5 (5*) 25 (18*) 25 (18*) 36 (30*) 65 (42*) 40 (30*)
Service breaking capacity (IEC, JIS, AS/NZS)	$I_{cs}$	(kA)	690V AC 525V AC 440V AC 400/415V AC 220/240V AC 250V DC	7.5 (5*) 25 (18*) 25 (18*) 36 (25*) 65 (35*) 40 (25*)
Rated breaking capacity (NEMA)		(kA)	480V AC 240V AC	22 (18*) 65 (42*)
Protection				
Adjustable thermal, adjustable magnetic				■
Fixed thermal, fixed magnetic				
Microprocessor				
Utilisation category				A
Installation				
Front connection (FC)				■
Extension bar (FB)				●
Cable clamp (FW)				●
Rear connecton (RC)				●
Plug-in (PM)				●
Din rail mounting (DA)				-
Dimensions	height	(mm)		165
	width	(mm)	3 pole, (1 pole)	105
			4 pole	140
Weight	depth	(mm)		68
	weight	(kg)	3 pole, (1 pole)	1.5
			4 pole	1.9
Operation				
Direct Opening Action				■
Toggle operation				■
Door mounted (HS) / breaker mounted handle (HB)				●
Motor operation (MC)				●
Endurance	Electrical Mechanical	cycles cycles	415V AC	20,000 30,000

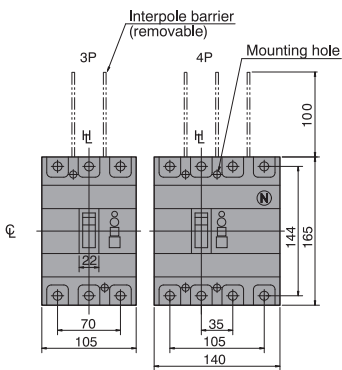
■ Standard ● Optional - Not Available

\* Applies to 20A to 32A models

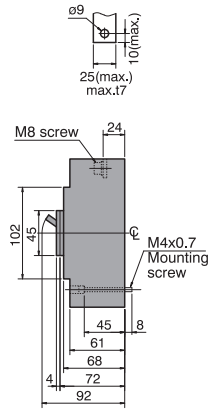
# DATA SHEET TEMBREAK2 S160-NJ MCCB

## Outline Dimensions S160-NJ

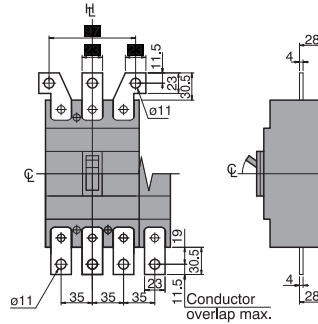
Front connected



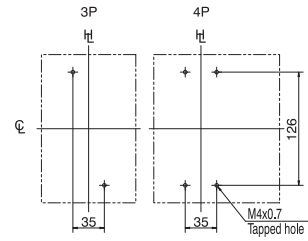
Preparation of conductor



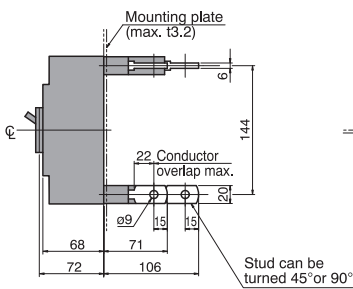
With extension bars (optional)



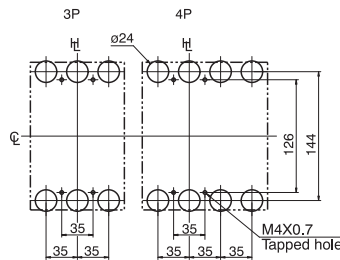
Drilling plan



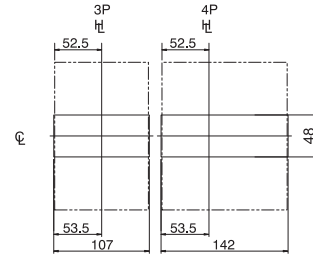
Rear connected



Drilling plan

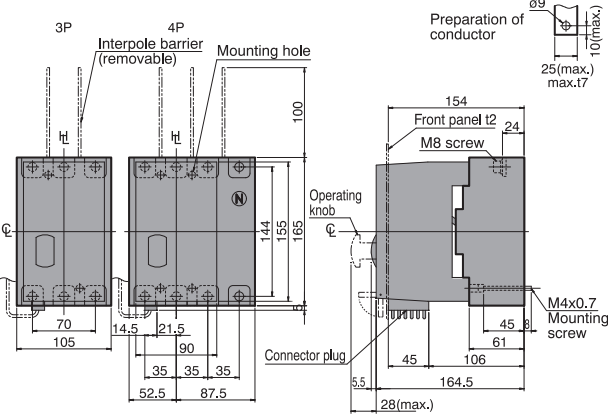


Panel cutout (Front view)



Panel cutout dimensions shown give an allowance of 1.0mm or more around the handle escutcheon.

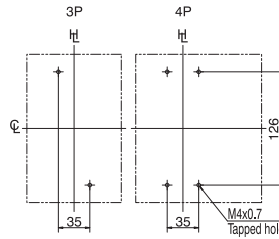
Front connected with Motor Operator



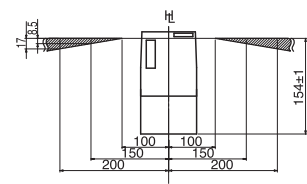
Preparation of conductor



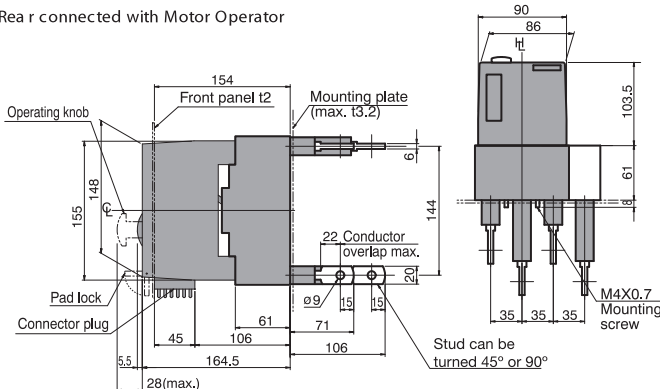
Drilling plan



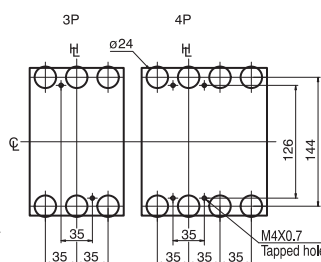
Panel hinge position (hatching area) bottom view



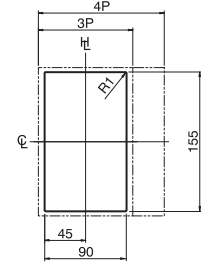
Rear connected with Motor Operator



Drilling plan



Panel cutout (Front view)



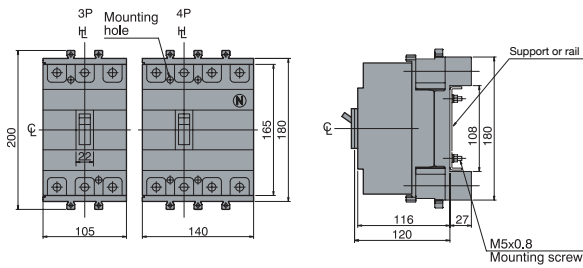
Panel cutout dimensions shown give an allowance of 1.5mm around the handle escutcheon.

# DATA SHEET TEMBREAK2 S160-NJ MCCB

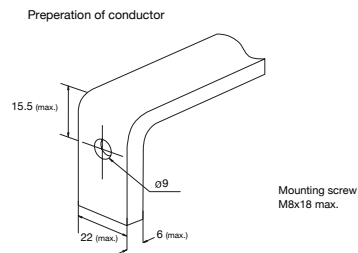
## Outline Dimensions: S160-NJ, Plug-in Version

ASL: Arrangement Standard Line  $\perp$ : Handle Frame Centre Line

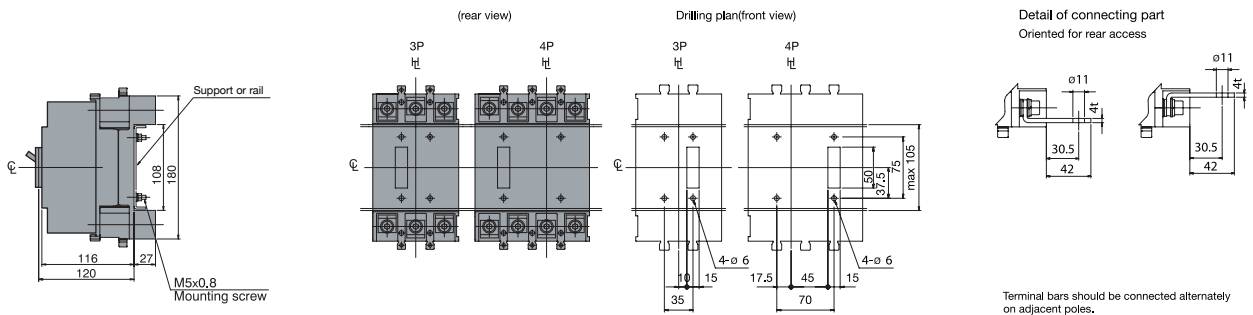
### Outline Dimensions



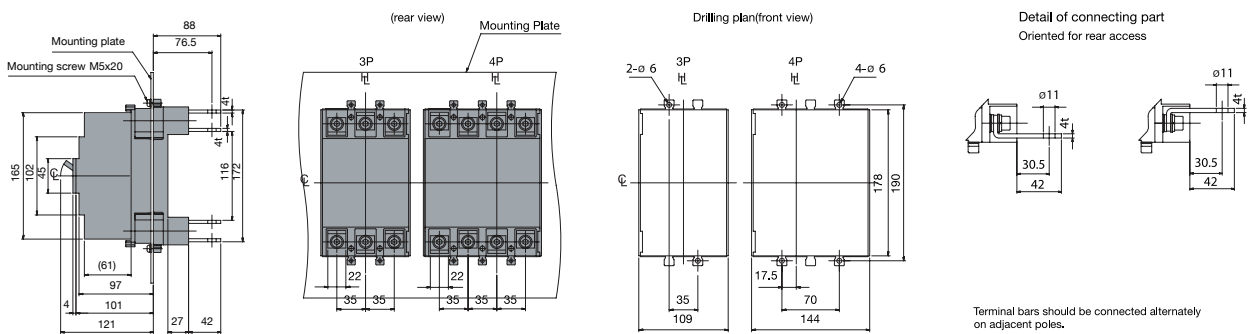
### Termination of Busbar



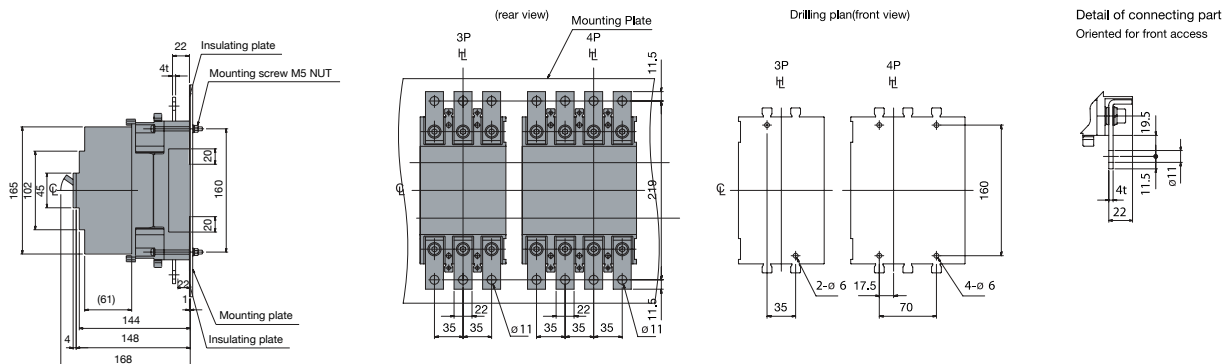
### Mounting on a support or rails (shown with optional connection bars oriented for rear access)



### Mounting through the backplate (shown with optional connection bars oriented for rear access)



### Mounting on the backplate (optional connection bars must be oriented for front access)



## DATA SHEET TEMBREAK2 S160-NJ MCCB

### Time/Current Characteristic Curve

#### S160-NJ

