

## DATA SHEET: TEMBREAK 2 L160-NJ MCCB

MCCB Electrical Characteristics to IEC 60947-2, EN 60947-2, JIS C 8201-2-1 ANN.1, AS/NZS 3947-2, NEMA AB-1

Frame Reference	Quantity	Unit	Condition	TB2 S/H/L 250
Max In (A) of Frame				<b>160</b>
Model				L160
Number of Poles				3,4
Type				NJ
Nominal current ratings				
	$I_n$	(A)	50°C	160
Electrical characteristics				
Rated operational voltage	$U_e$	(A)	AC 50/60 Hz DC	690 250
Rated insulation voltage	$U_i$	(V)		800
Rated impulse withstand voltage	$U_{imp}$	(kV)		8
Ultimate breaking capacity (IEC, JIS, AS/NZS)	$I_{cu}$	(kA)	690V AC 525V AC 440V AC 400/415V AC 220/240V AC 250V DC	25 65 180 200 200 40
Service breaking capacity (IEC, JIS, AS/NZS)	$I_{cs}$	(kA)	690V AC 525V AC 440V AC 400/415V AC 220/240V AC 250V DC	20 65 135 150 150 40
Rated breaking capacity (NEMA)		(kA)	480V AC 240V AC	65 200
Protection				
Adjustable thermal, adjustable magnetic				■
Fixed thermal, fixed magnetic				
Microprocessor				
Utilisation category				A
Installation				
Front connection (FC)				■
Extension bar (FB)				●
Cable clamp (FW)				●
Rear connecton (RC)				●
Plug-in (PM)				●
Din rail mounting (DA)				-
Dimensions	height	(mm)	3 pole, (1 pole)	165
	width	(mm)	4 pole	105
Weight	depth	(mm)	3 pole, (1 pole)	140
	weight	(kg)	4 pole	103
				2.5
				3.3
Operation				
Direct Opening Action				■
Toggle operation				■
Door mounted (HS) / breaker mounted handle (HB)				●
Motor operation (MC)				●
Endurance	Electrical	cycles	415V AC	20,000
	Mechanical	cycles		30,000

■ Standard ● Optional - Not Available

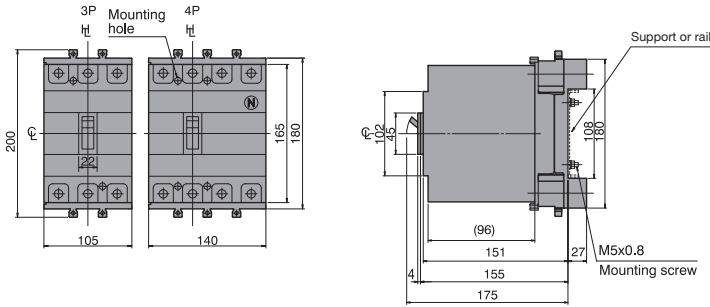


# DATA SHEET: TEMBREAK 2 L160-NJ MCCB

## Outline Dimensions L160-NJ Plug-in Version

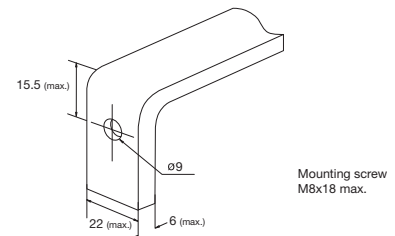
ASL: Arrangement Standard Line  $\perp$ : Handle Frame Centre Line

### Outline Dimensions

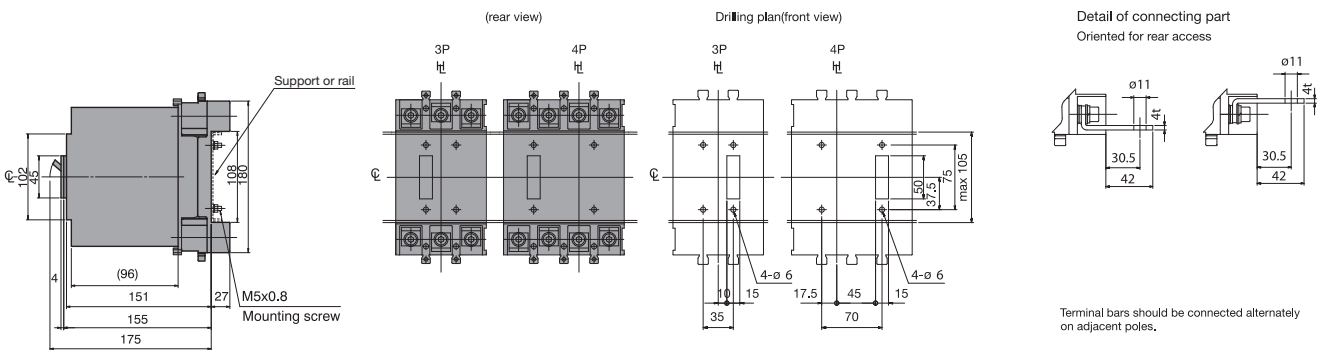


### Termination of Busbar

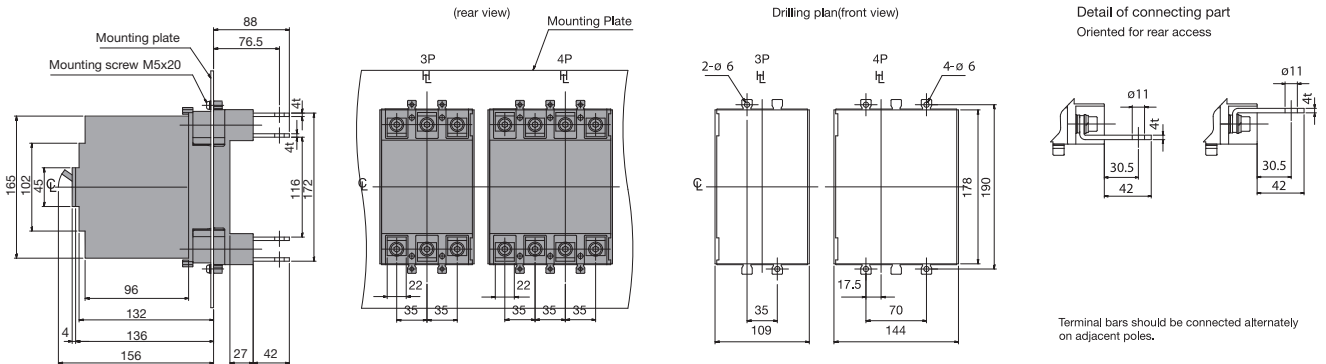
#### Preparation of conductor



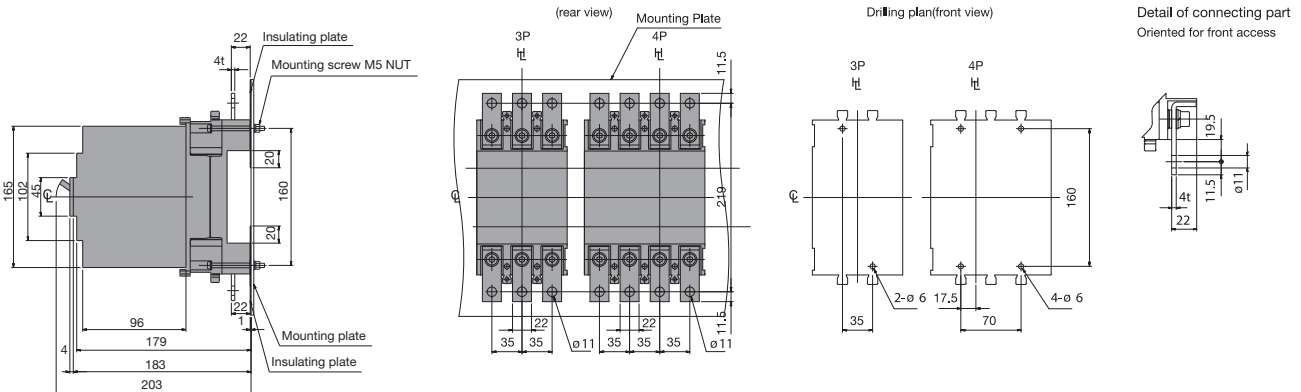
### Mounting on a support or rails (shown with optional connection bars oriented for rear access)



### Mounting through the backplate (shown with optional connection bars oriented for rear access)



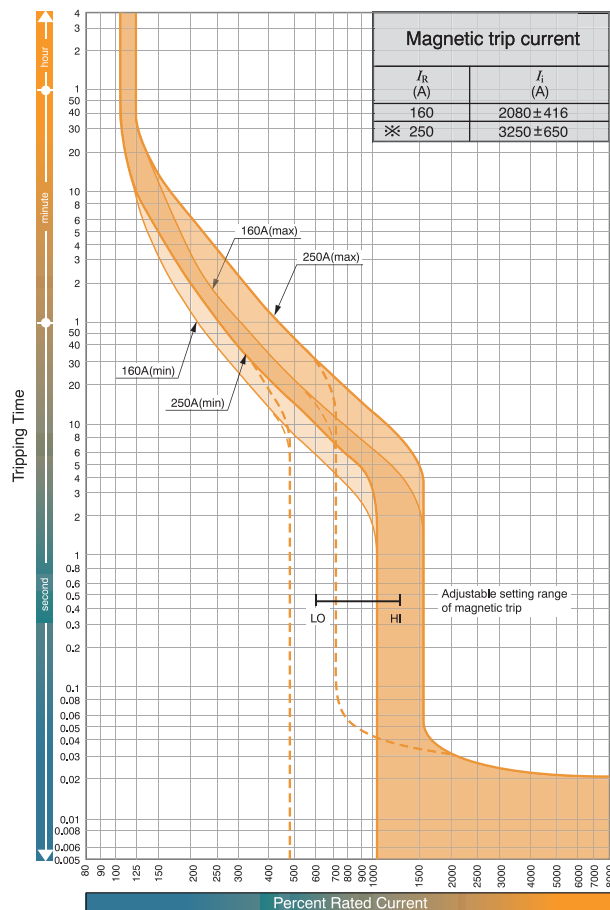
### Mounting on the backplate (optional connection bars must be oriented for front access)



## DATA SHEET: TEMBREAK 2 L160-NJ MCCB

### Time/current characteristic curves

L160-NJ



※ FOR PLUG-IN, 225A 2925±585A