

## DATA SHEET: TEMBREAK 2 H250-NJ MCCB

MCCB Electrical Characteristics to IEC 60947-2, EN 60947-2, JIS C 8201-2-1 ANN.1, AS/NZS 3947-2, NEMA AB-1

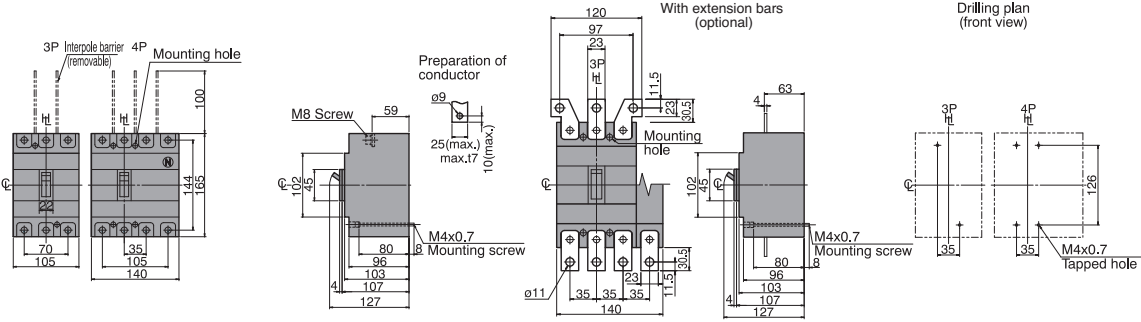
Frame Reference	Quantity	Unit	Condition	TB2 S/H/L 250
<b>Max In (A) of Frame</b>				<b>250</b>
Model				H250
Number of Poles				3, 4
Type				NJ
<b>Nominal current ratings</b>				
	$I_n$	(A)	50°C	160 250
<b>Electrical characteristics</b>				
Rated operational voltage	$U_e$	(V)	AC 50/60 Hz DC	690 250
Rated insulation voltage	$U_i$	(V)		800
Rated impulse withstand voltage	$U_{imp}$	(kV)		8
Ultimate breaking capacity (IEC, JIS, AS/NZS)	$I_{cu}$	(kA)	690V AC 525V AC 440V AC 400/415V AC 220/240V AC 250V DC	20 45 120 125 150 40
Service breaking capacity (IEC, JIS, AS/NZS)	$I_{cs}$	(kA)	690V AC 525V AC 440V AC 400/415V AC 220/240V AC 250V DC	15 45 80 85 150 40
Rated breaking capacity (NEMA)		(kA)	480V AC 240V AC	45 150
Rated short-time withstand current	$I_{cw}$	(kA)	0.3 Seconds	-
<b>Protection</b>				
Adjustable thermal, adjustable magnetic				■
Fixed thermal, fixed magnetic				
Microprocessor				
Utilisation category				A
<b>Installation</b>				
Front connection (FC)				■
Extension bar (FB)				•
Cable clamp (FW)				•
Rear connection (RC)				•
Plug-in (PM)				•②
DIN rail mounting (DA)				-
Dimensions	height	(mm)		165
	width	(mm)	3 pole	105
		(mm)	4 pole	140
	depth	(mm)		103
Weight	weight	(kg)	3 pole	2.4
			4 pole	3.2
<b>Operation</b>				
Direct Opening Action				■
Toggle operation				■
Door mounted (HS) / Breaker mounted handle (HB)				•
Motor operation (MC)				•
Endurance	Electrical	cycles	415V AC	10,000
	Mechanical	cycles		30,000

**DATA SHEET: TEMBREAK 2 H250-NJ MCCB**

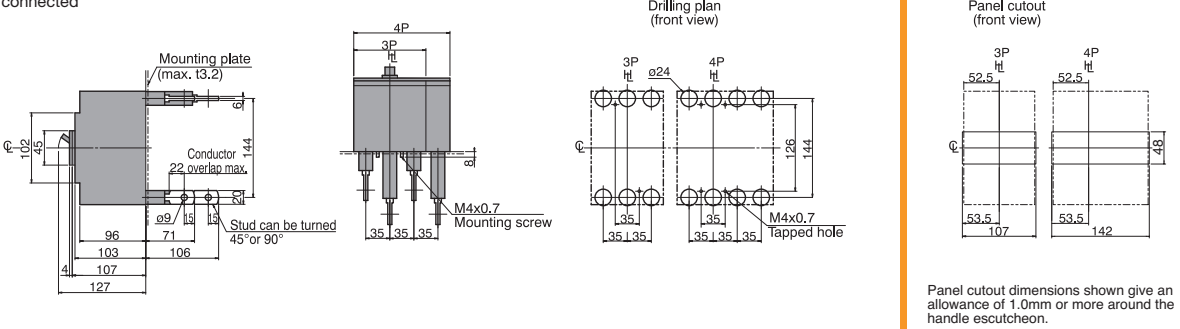
**Outline Dimensions H250-NJ**

ASL: Arrangement Standard Line HL: Handle Frame Centre Line

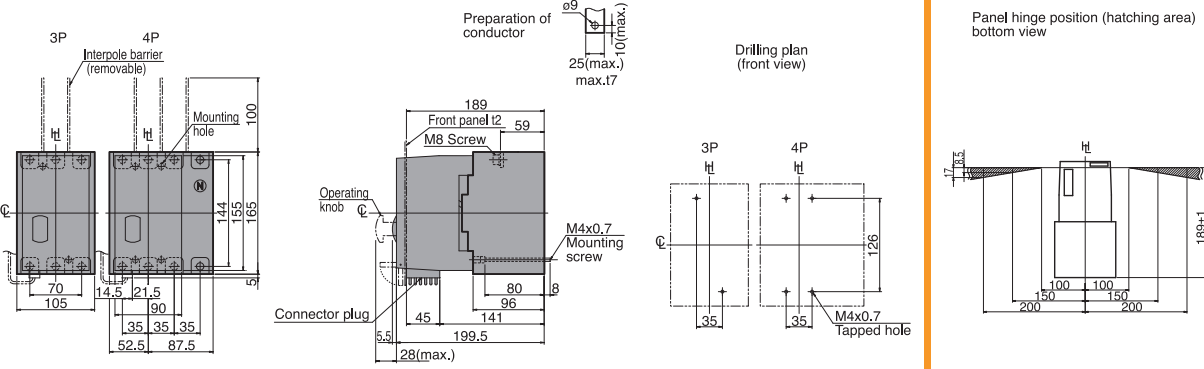
**Front connected**



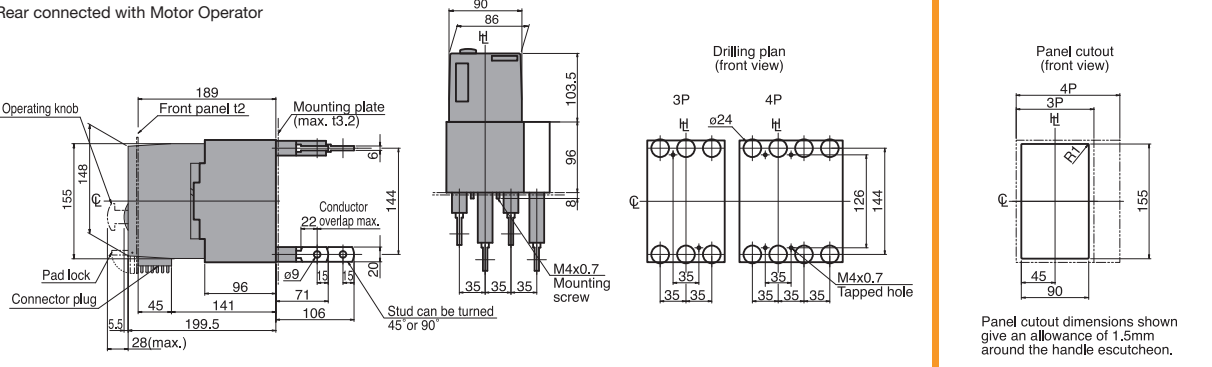
**Rear connected**



**Front connected with Motor Operator**



**Rear connected with Motor Operator**

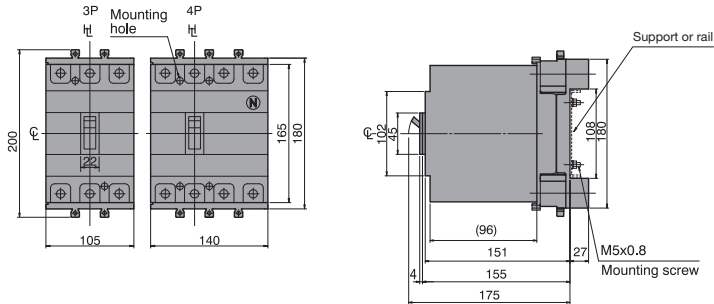


# DATA SHEET: TemBreak 2 H250-NJ MCCB

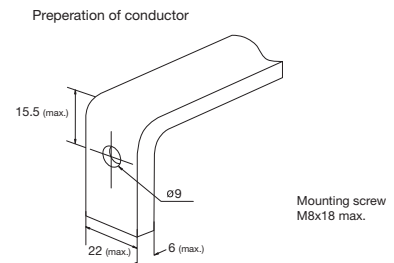
## Outline Dimensions H250-NJ Plug-in Version

ASL: Arrangement Standard Line  $\perp$ : Handle Frame Centre Line

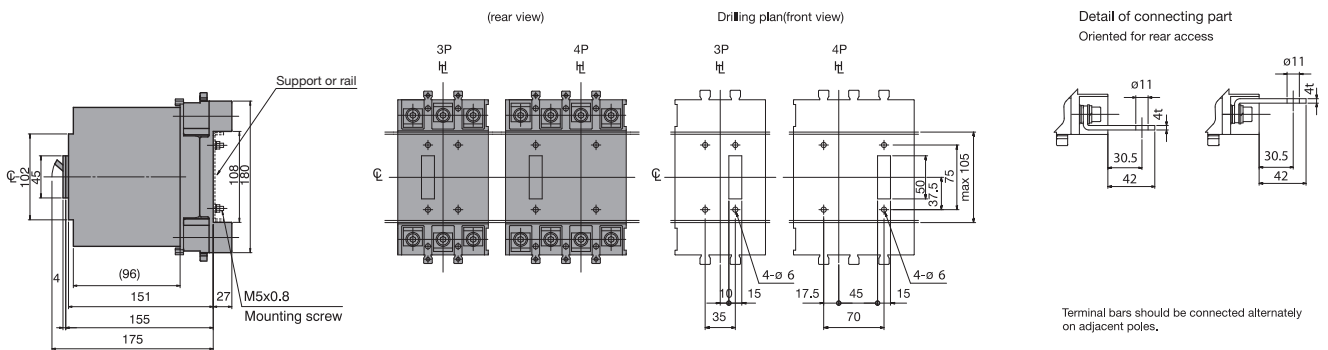
### Outline Dimensions



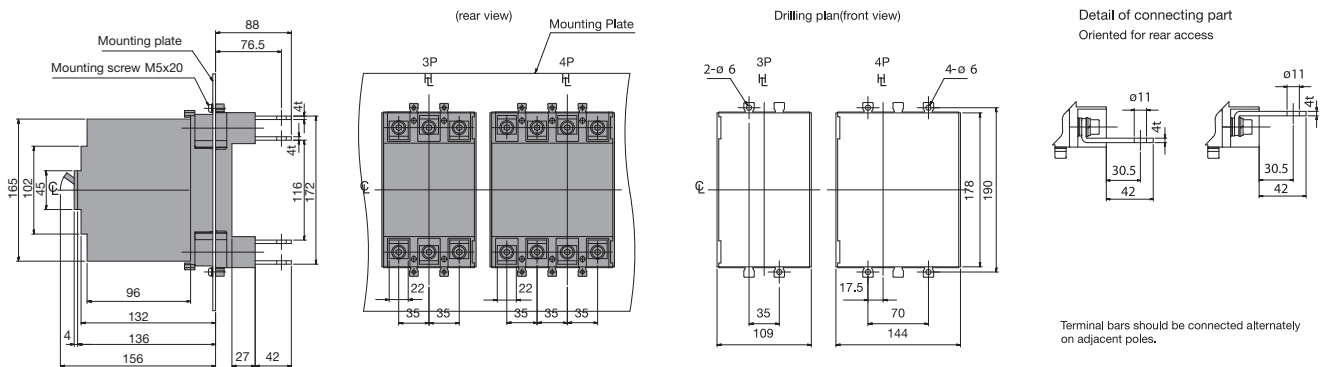
### Termination of Busbar



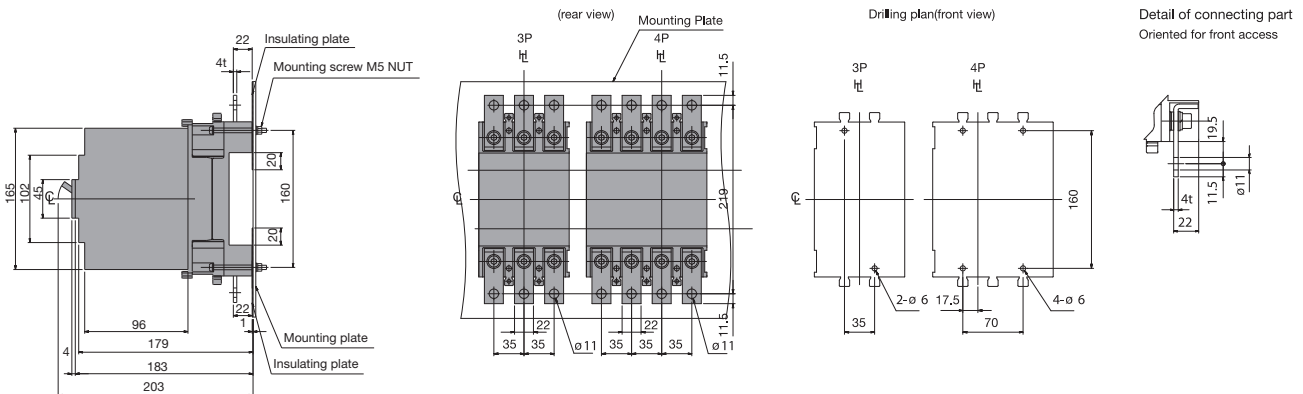
### Mounting on a support or rails (shown with optional connection bars oriented for rear access)



### Mounting through the backplate (shown with optional connection bars oriented for rear access)



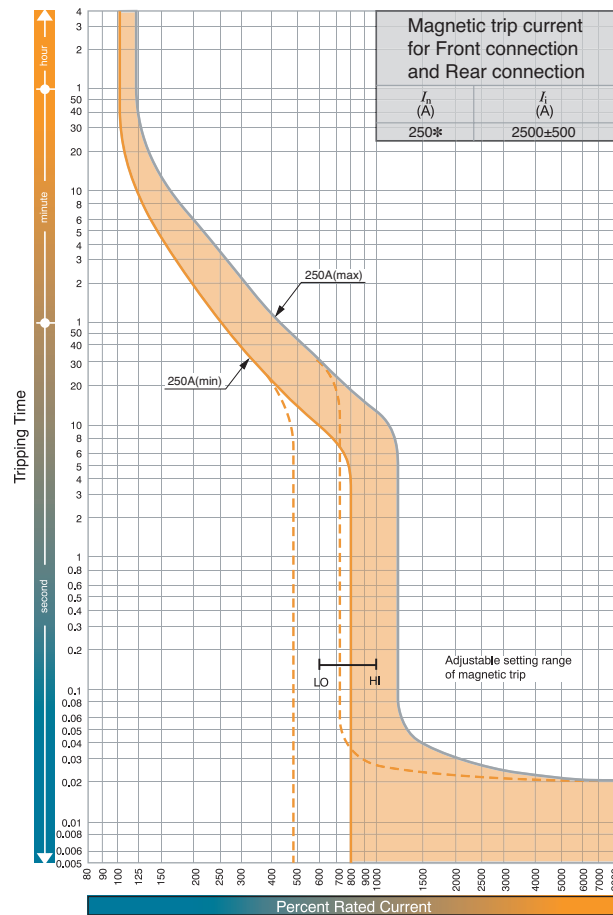
### Mounting on the backplate (optional connection bars must be oriented for front access)



## DATA SHEET: TEMBREAK 2 H250-NJ MCCB

### Time/Current Characteristic Curves

H250-NJ, (250A)



\* For Plug-in connection,  
 Max. rating 225A  
 $I_t=2925A\pm585A$