

## DATA SHEET: TEMBREAK 2 S160-SCJ MCCB

MCCB Electrical Characteristics to IEC 60947-2, EN 60947-2, JIS C 8201-2-1 ANN.1, NEMA AB-1

Frame Reference	Quantity	Unit	Condition	TB2 Lite 160
Max in (A) of Frame				160
Model				S160
Number of Poles				3, 4
Type				SCJ
Nominal current ratings				
	$I_n$	(A)	50°C	25,40,63,80 100,125,160
Electrical characteristics				
Rated operational voltage	$U_e$	(V)	AC 50/60 Hz DC	525 250
Rated insulation voltage	$U_i$	(V)		690
Rated impulse withstand voltage	$U_{imp}$	(kV)		8
Ultimate breaking capacity (IEC, JIS, AS/NZS)	$I_{cu}$	(kA)	690V AC 525V AC 440V AC 400/415V AC 220/240V AC 250V DC	- 7.5 15 25 35 20
Service breaking capacity (IEC, JIS, AS/NZS)	$I_{cs}$	(kA)	690V AC 525V AC 440V AC 400/415V AC 220/240V AC 250V DC	- 4 7.5 13 18 10
Rated breaking capacity (NEMA)		(kA)	480V AC 240VAC	7.5 35
Protection				
Fixed thermal, fixed magnetic				-
Adjustable thermal, fixed magnetic				■
Utilisation category				A
Installation				
Front connection (FC)				■
Extension bar (FB)				•
Cable clamp (FW)				■ ①
Rear connection (RC)				•
Plug-in (PM)				-
DIN rail mounting (DA)				•
Dimensions	height	(mm)		130
	width	(mm)	3 pole, (1 pole) 4 pole	75 100
Weight	depth	(mm)		68
	weight	(kg)	3 pole, (1 pole) 4 pole	0.8 1.0
Operation				
Direct Opening Action				■
Toggle operation				■
Door mounted (HS) / Breaker mounted handle (HB)				•
Motor operation				-
Endurance	Electrical	cycles cycles	415V AC	10,000② 20,000

■ Standard    • Optional    - Not Available

① Factory-fit at time of order

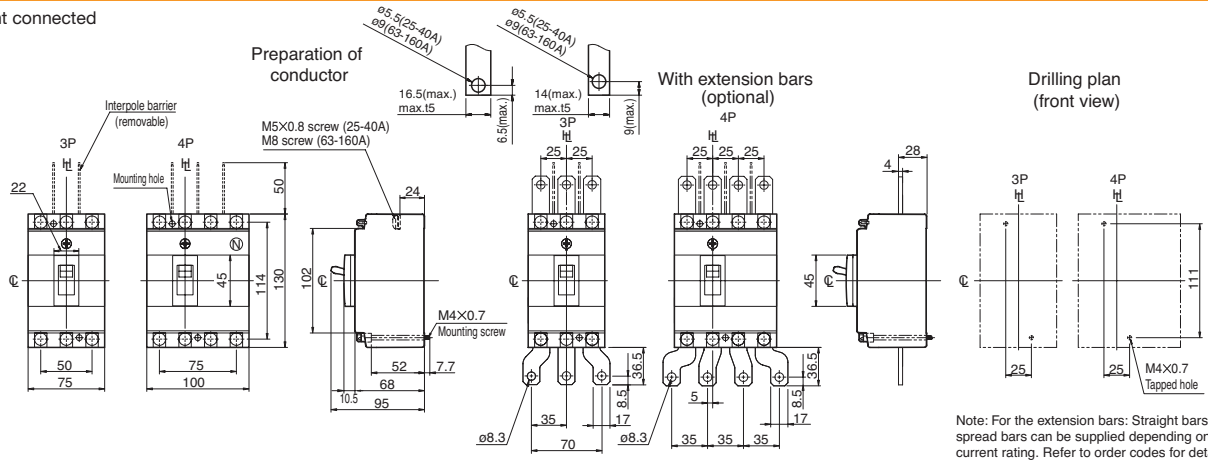
② 14,000 ≤125A

# DATA SHEET: TEMBREAK 2 S160-SCJ MCCB

## Outline Dimensions S160-SCJ

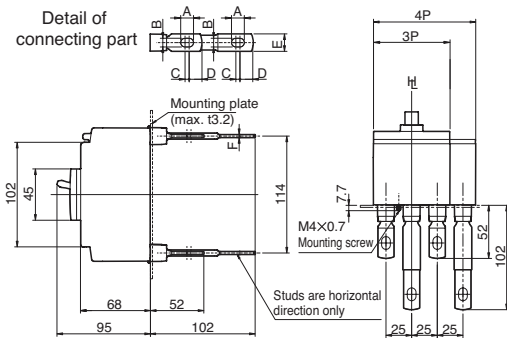
ASL: Arrangement Standard Line H: Handle Frame Centre Line C: Handle Centre Line

### Front connected

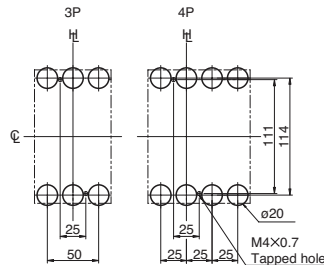


### Rear connected

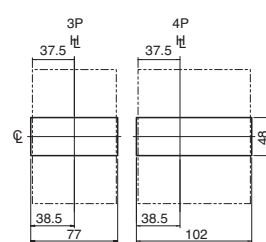
#### Detail of connecting part



#### Drilling plan (front view)



#### Panel cutout (front view)



Rated current (A)	A	B	C	D	E	F
16-50	10.5	6.5	4	13	16	4
63-160	12.5	8.5	4	13	16	5

Panel cutout dimensions shown give an allowance of 1.0mm or more around the handle escutcheon.

## DATA SHEET: TEMBREAK 2 S160-SCJ MCCB

### Time/Current Characteristic Curves S160-SCJ

