

## DATA SHEET: TEMBREAK 2 E160-SF MCCB

MCCB Electrical Characteristics to IEC 60947-2, EN 60947-2, JIS C 8201-2-1 ANN.1, NEMA AB-1

Frame Reference	Quantity	Unit	Condition	TB2 Lite 160	
				160	160
<b>Max in ( A ) of Frame</b>				160	160
Model				E160	E160
Number of Poles				1	3,4
Type				SF	SF
<b>Nominal current ratings</b>					
	$I_n$	(A)	50°C	16,20,25,32,40,50,63,80,100,125	16,20,25,32,40,50,63,80,100,125,160
<b>Electrical characteristics</b>					
Rated operational voltage	$U_e$	(V)	AC 50/60 Hz DC	240 -	525 250
Rated insulation voltage	$U_i$	(V)		690	690
Rated impulse withstand voltage	$U_{imp}$	(kV)		8	8
Ultimate breaking capacity (IEC, JIS, AS/NZS)	$I_{cu}$	(kA)	690V AC 525V AC 440V AC 400/415V AC 220/240V AC 250V DC	- - - - 25 -	- 6 10 16 25 13
Service breaking capacity (IEC, JIS, AS/NZS)	$I_{cs}$	(kA)	690V AC 525V AC 440V AC 400/415V AC 220/240V AC 250V DC	- - - - 13 -	- 3 5 8 13 7
Rated breaking capacity (NEMA)		(kA)	480V AC 240VAC	- 25	6 25
<b>Protection</b>					
Fixed thermal, fixed magnetic				■	■
Adjustable thermal, fixed magnetic				-	-
Utilisation category				A	A
<b>Installation</b>					
Front connection (FC)				■	■
Extension bar (FB)				●	●
Cable clamp (FW)				■ ①	-
Rear connection (RC)				-	●
Plug-in (PM)				-	-
DIN rail mounting (DA)				-	●
Dimensions	height	(mm)		130	130
	width	(mm)	3 pole, (1 pole) 4 pole	(25) -	75 100
	depth	(mm)		68	68
Weight	weight	(kg)	3 pole, (1 pole) 4 pole	(0.3) -	0.8 1.0
<b>Operation</b>					
Direct Opening Action				■	■
Toggle operation				■	■
Door mounted (HS) / Breaker mounted handle (HB)				-	●
Motor operation				-	-
Endurance	Electrical	cycles cycles	415V AC	10,000 20,000	10,000② 20,000

■ Standard    ● Optional    - Not Available

① Factory-fit at time of order

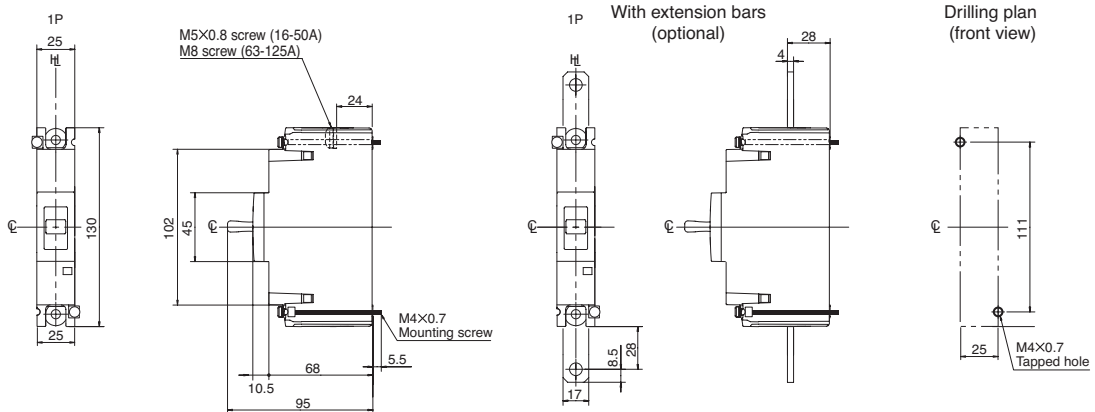
② 14,000 ≤125A

## DATA SHEET: TEMBREAK 2 E160-SF MCCB

### Outline Dimensions: E160-SF (1P)

ASL: Arrangement Standard Line H<sub>L</sub>: Handle Frame Centre Line C<sub>L</sub>: Handle Centre Line

Front connected

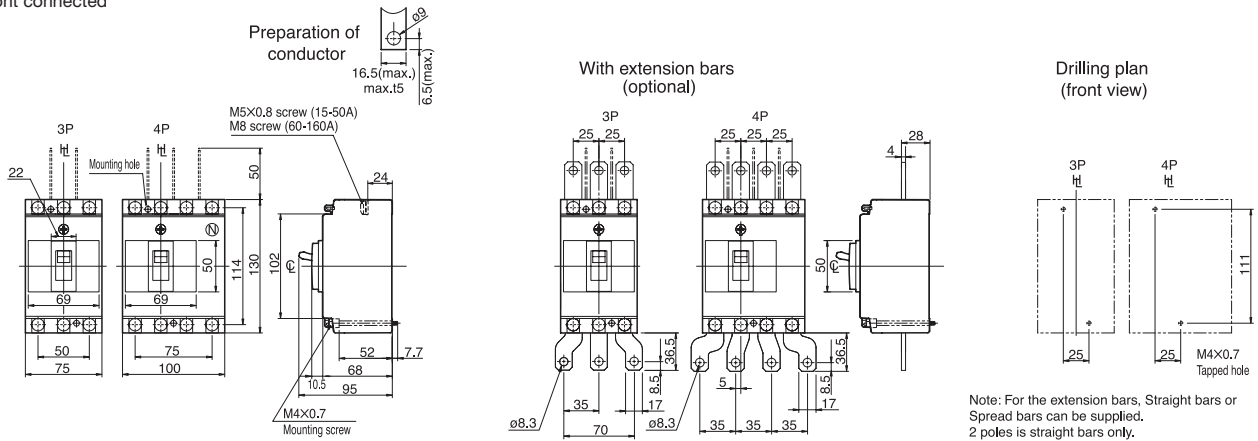


## DATA SHEET: TEMBREAK 2 E160-SF MCCB

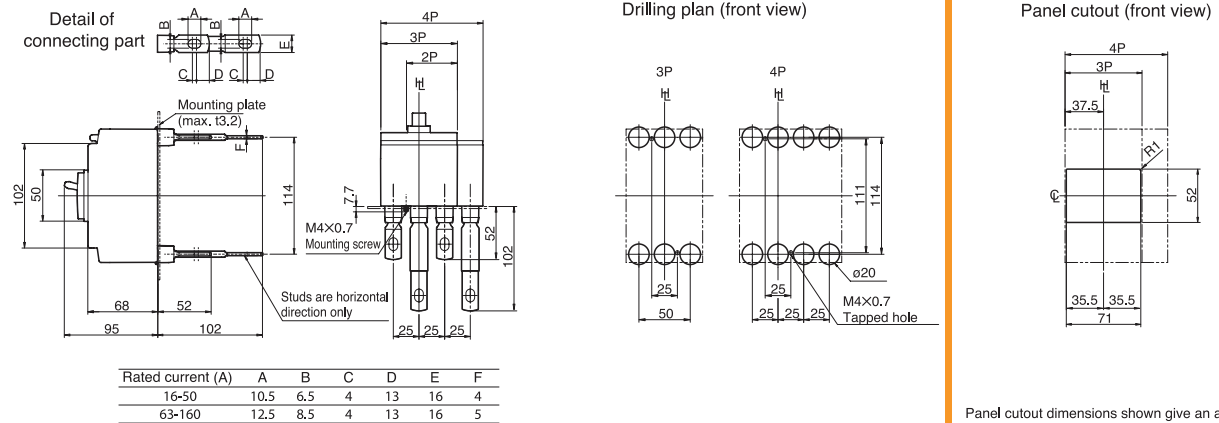
### Outline Dimensions: E160-SF

ASL: Arrangement Standard Line H: Handle Frame Centre Line C: Handle Centre Line

Front connected

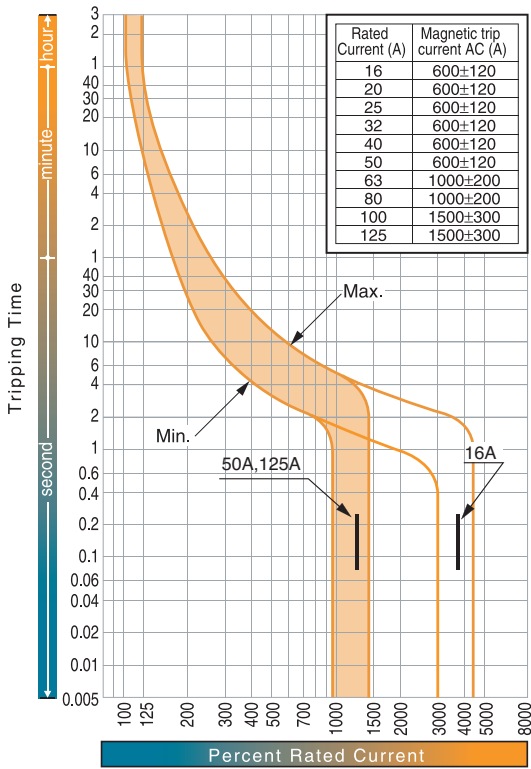


Rear connected



## DATA SHEET: TEMBREAK 2 E160-SF MCCB

Time/Current Characteristic Curves  
E160-SF (Single Pole)



Time/Current Characteristic Curves  
E160-SF

