

Basic Efficiency

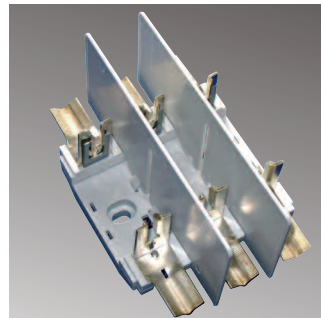
**NH Fuse-Bases
up to 1500 V**



**NH Fuse-Bases
1-pole**



**NH Fuse-Bases
3-pole**



**NH Fuse-Bases
SILAS**





Content

NH Fuse-Bases 690 V AC for baseplate, busbar and supporting rail mounting	60
Accessories	62
Technical Data	see page 65

NU

System

The EFEN NH Fuse-Bases successfully provide a simple way to integrate NH Fuse-Links into a power distribution system. The product-range includes size 000 to 3L for all common installation systems as well as special applications. A wide assortment of accessories completes this product-range.

Features

The special advantage of the open NH Fuse-Bases is the application of NH Fuse-Links with high power dissipation such as gR Fuse-Links which are especially used to secure machinery. Due to the accessory-line, a protection against contact can also be obtained subsequently.

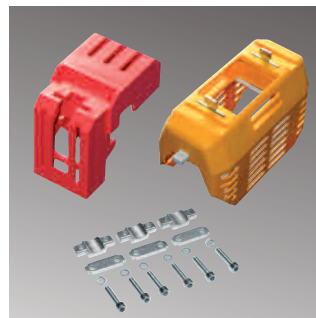
**NH Fuse-Base,
3-pole, size 000
for baseplate and supporting rails**



**NH Fuse-Base
for busbar mounting**



Accessories



NH Fuse-Bases 690 V AC - 1500 V AC, acc. to VDE 0636 T201 / IEC 60269-2-1



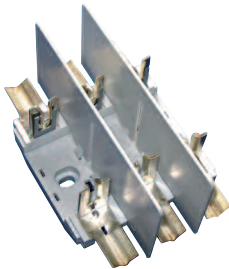
33600-0020

NH Fuse-Bases 690 V AC

Properties:

- 1-pole for baseplate mounting, without phase barrier and contact cover
- including the material for cable connection. (Exception V-clamps)

Description	Size	Amps	Order-No.	PU	PG	Sur. Ag	Sur. Cu	Price €/pc.
Multiple use terminal with pressure plates for cable 1,5 - 50 mm ²	00	125	33600-0030	12	NU 1	0,003	0,009	12,15
Flat terminal M8	00	160	33600-0010	12	NU 1	0,003	0,009	9,90
Inserted screw nut M8	00	160	33600-0020	12	NU 1	0,003	0,009	13,25
Multiple use terminal with pressure plates and prism 1,5 - 70 mm ²	00	160	33600-0040	12	NU 1	0,003	0,009	14,45
V-stamped (clamps not included)	00	160	33600-0050	12	NU 1	0,003	0,009	9,95
Clamp for 2 x 35 mm ²	00	160	33600-0060	12	NU 1	0,003	0,009	14,45
Flat terminal M10	1	250	33627-0010	3	NU 1	0,007	0,026	28,78
Inserted screw nut M10	1	250	33627-0020	3	NU 1	0,007	0,026	32,05
V-stamped (clamps not included)	1	250	33627-0050	3	NU 1	0,007	0,026	26,50
Flat terminal M10	2	400	33632-0010	3	NU 1	0,013	0,046	38,65
Inserted screw nut M10	2	400	33632-0020	3	NU 1	0,013	0,046	42,00
V-stamped (clamps not included)	2	400	33632-0050	3	NU 1	0,013	0,046	35,85
Flat terminal M12	3	630	33035-0020	3	NU 1	0,014	0,059	54,15
Inserted screw nut M10	3	630	33036-0020	3	NU 1	0,014	0,059	54,15



33608-0010

NH Fuse-Bases 690 V AC

Properties:

- 3-pole for baseplate mounting, including 2 phase barriers and without contact cover
- including the material for cable connection. (Exception V-clamps)

Description	Size	Amps	Order-No.	PU	PG	Sur. Ag	Sur. Cu	Price €/pc.
Multiple use terminal with pressure plates for cable 1,5 - 50 mm ²	00	125	33608-0030	4	NU 1	0,007	0,015	44,30
Flat terminal M8	00	160	33608-0010	4	NU 1	0,007	0,015	28,75
Inserted screw nut M8	00	160	33608-0020	4	NU 1	0,007	0,015	37,60
Multiple use terminal with pressure plates and prism for cable 1,5 - 70 mm ²	00	160	33608-0040	4	NU 1	0,007	0,015	48,60
V-stamped (clamps not included)	00	160	33608-0050	4	NU 1	0,007	0,015	34,30
Clamp for 2 x 35 mm ²	00	160	33608-0060	4	NU 1	0,007	0,015	43,10
Flat terminal M10	1	250	33631-0010	1	NU 1	0,020	0,077	110,10
Inserted screw nut M10	1	250	33631-0020	1	NU 1	0,020	0,077	127,79
V-stamped (clamps not included)	1	250	33631-0050	1	NU 1	0,020	0,077	105,00
Flat terminal M10	2	400	33633-0010	1	NU 1	0,040	0,138	123,00
Inserted screw nut M10	2	400	33633-0020	1	NU 1	0,040	0,138	138,00
V-stamped (clamps not included)	2	400	33633-0050	1	NU 1	0,020	0,077	117,00
Flat terminal M12	3	630	33037-0010	1	NU 1	0,042	0,197	178,70

NH Fuse-Bases 690 V AC - 1500 V AC, acc. to VDE 0636 T201 / IEC 60269-2-1



33602-0020

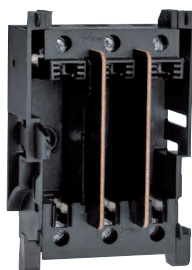
NH Fuse-Bases 690 V AC

Properties:

- 1-pole for mounting onto supporting rails, without phase barrier and contact cover
- including the material for cable connection. (Exception V-clamps)

Description	Size	Amps	Order-No.	PU	PG	Sur. Ag	Sur. Cu	Price €/pc.
Multiple use terminal with pressure plates for cable 1,5 - 50 mm ²	00	125	33602-0030	12	NU 1	0,003	0,009	13,25
Flat terminal M8	00	160	33602-0010	12	NU 1	0,003	0,009	11,10
Inserted screw nut M8	00	160	33602-0020	12	NU 1	0,003	0,009	12,15
Multiple use terminal with pressure plates and prism for cable 1,5 - 70 mm ²	00	160	33602-0040	12	NU 1	0,003	0,009	16,60
V-stamped (clamps not included)	00	160	33602-0050	12	NU 1	0,003	0,009	11,10
Clamp for 2 x 35 mm ²	00	160	33602-0060	12	NU 1	0,003	0,009	15,50

NU



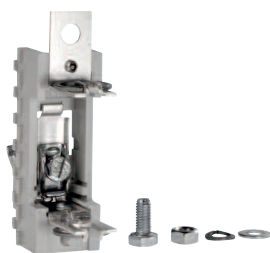
33125-0010

NH Fuse-Bases 690 V AC, Gr. 000

Properties:

- 3-pole for mounting on supporting rails or baseplates

Description	Size	Amps	Order-No.	PU	PG	Sur. Ag	Sur. Cu	Price €/pc.
Box terminal 1,5 - 50 mm ² , for supporting rails	000	160	33125-0010	10	NU 1	0,005	0,017	34,30



33003-0020

NH Fuse-Bases 690 V AC

Properties:

- 1-pole for busbar mounting, including 2 phase barriers and without contact cover

Description	Size	Amps	Order-No.	PU	PG	Sur. Ag	Sur. Cu	Price €/pc.
Flat terminal M8, mounting by clamps	00	160	33001-0020	10	NU 1	0,004	0,011	13,25
Flat terminal M8, mounting by hooks	00	160	33003-0020	10	NU 1			16,50
Flat terminal M12 mounting by screws	1-3	250-630	33135-0010	3	NU 1	0,016	0,077	60,80



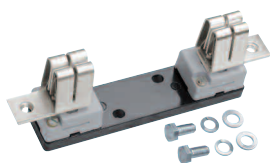
33120-0010

NH Fuse-Bases 690 V AC

Properties:

- 1-pole for baseplate mounting and for mounting onto supporting rail

Description	Size	Amps	Order-No.	PU	PG	Sur. Ag	Sur. Cu	Price €/pc.
Flat terminal M8, baseplate mounting	00	160	33120-0010	10	NU 1	0,002	0,006	10,40
Flat terminal M8, for supporting rails	00	160	33120-0070	10	NU 1	0,002	0,006	12,15



33039-0010

NH Fuse-Bases 1500 V AC

Properties:

- NH Fuse-Bases for the size 3L, baseplate mounting

Description	Size	Amps	Order-No.	PU	PG	Sur. Ag	Sur. Cu	Price €/pc.
Inserted screw nut M12, without micro switch	3L	425	33039-0010	1	NU 1	0,024	0,066	109,40
Inserted screw nut M12, with micro switch	3L	425	33041-0010	1	NU 1	0,024	0,066	170,00
Inserted screw nut M16, without micro switch	3L	630	33040-0010	1	NU 1	0,028	0,102	124,90
Inserted screw nut M16, with micro switch	3L	630	33042-0010	1	NU 1	0,028	0,102	212,00

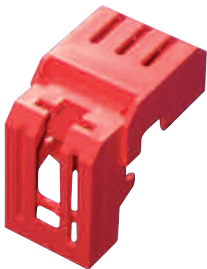
**NH Fuse-Bases 690 V AC - 1500 V AC
acc. to VDE 0636 T201 / IEC 60269-2-1**
Accessories


90181-0100

Phase barrier
Properties:

- for NH Fuse-Bases (series 336...)

Description	Size	Amps	Order-No.	PU	PG	Sur. Ag	Sur. Cu	Price €/pc.
Phase barrier	00		30744-0100	1	NU 1			2,25
Phase barrier	00		30780-0100	1	NU 1			1,15
Phase barrier short 130 mm	00		90181-0100	1	NU 1			2,25
Phase barrier long for V-terminal 152 mm	00		90181-0200	1	NU 1			2,25
Phase barrier 210 mm	1		90184-0100	1	NU 1			3,30
Phase barrier 240 mm	2		90184-0200	1	NU 1			3,30
Phase barrier	3		30846-0100	1	NU 1			3,35

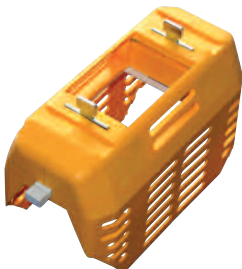


90182-0100

Contact cover
Properties:

- for NH Fuse-Bases (series 336...)

Description	Size	Amps	Order-No.	PU	PG	Sur. Ag	Sur. Cu	Price €/pc.
Contact cover	00		31009-0100	1	NU 1			1,15
Contact cover short	00		90182-0100	1	NU 1			2,25
Contact cover long for V-terminal	00		90182-0200	1	NU 1			2,25
Contact cover	1		90185-0100	1	NU 1			3,30
Contact cover	2		90185-0200	1	NU 1			3,30



90186-0100

Fuse cover
Properties:

- for NH Fuse-Bases (series 336...)

Description	Size	Amps	Order-No.	PU	PG	Sur. Ag	Sur. Cu	Price €/pc.
Fuse cover	00		90183-0100	1	NU 1			2,25
Fuse cover	1-2		90186-0100	1	NU 1			9,90



85246-0100

V-clamp
Properties:

- for NH Fuse-Bases (series 336...)

Description	Size	Amps	Order-No.	PU	PG	Sur. Ag	Sur. Cu	Price €/pc.
V-clamp 35 - 70 sm	00		85246-0100	1	netto			3,50
V-clamp up to 240 mm ²	1-3		85542-0100	1	netto			15,00



33680-0010

Neutral bar

Description	Size	Amps	Order-No.	PU	PG	Sur. Ag	Sur. Cu	Price €/pc.
Neutral bar with flat terminal M8	00	160	33680-0010	1	NU 1	0,003	0,009	9,95

NH Fuse-Bases 690 V AC - 1500 V AC, 3-pole, Series SILAS



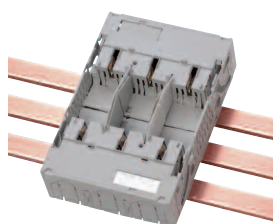
33300-0000

For baseplate mounting

Properties:

- compact NH-Fuse-Base for baseplate mounting

Description	Size	Amps	Order-No.	PU	PG	Sur. Ag	Sur. Cu	Price €/pc.
Multiple use terminal (screw M8)	00		33300-0000	1	NT SILAS	0,010	0,002	36,50
Box terminal 1,5 to 70 mm ²	00		33301-0000	1	NT SILAS	0,010	0,016	39,85
Multiple use terminal (screw M10)	1		33320-0000	1	NT SILAS	0,022	0,030	120,45
Multiple use terminal (screw M10)	2		33330-0000	1	NT SILAS	0,033	0,466	158,00



33304-0000

For busbar mounting on 60 mm systems by hook contacting

Properties:

- compact NH-Fuse-Base for busbar mounting

Description	Size	Amps	Order-No.	PU	PG	Sur. Ag	Sur. Cu	Price €/pc.
Multiple use terminal (screw M8)	00	160	33304-0000	1	NT SILAS	0,013	0,020	60,80
Box terminal 1,5-70 mm ²	00	160	33305-0000	1	NT SILAS	0,013	0,020	63,00
Multiple use terminal (screw M10)	1	250	33321-0000	1	NT SILAS	0,022	0,072	146,00
Multiple use terminal (screw M10)	2	400	33331-0000	1	NT SILAS	0,036	0,194	199,00

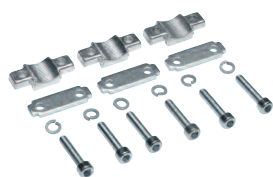
Accessories for NH Fuse-Bases, Series SILAS



36996-0010

Fuse cover series SILAS

Description	Size	Amps	Order-No.	PU	PG	Sur. Ag	Sur. Cu	Price €/pc.
Fuse cover size 00	00		36996-0010	1	NT SILAS			3,45



36934-0010

Pressure plates for Cu-Conductor se, sm an laminated copper

Properties:

- Easy supplementation for the connection of Cu conductors, se, sm und laminated copper
- 1 Set = 3 pcs.

Description	Size	Amps	Order-No.	PU	PG	Sur. Ag	Sur. Cu	Price €/pc.
6 - 50 mm ²	00		36934-0010	1	NT SILAS			2,45
70 - 150 mm ²	1		36936-0010	1	NT SILAS			20,30
120 - 240 mm ²	2		36997-0010	1	NT SILAS			34,20



36975-0010

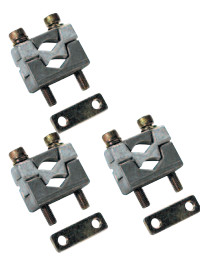
Contact prism for copper and aluminium

Properties:

- Easy supplementation for the connection of Cu- and Al conductor
- 1 Set = 3 pcs.

Description	Size	Amps	Order-No.	PU	PG	Sur. Ag	Sur. Cu	Price €/pc.
6 - 70 mm ²	00		36975-0010	1	NT SILAS			7,90
70 - 150 mm ²	1		36942-0010	1	NT SILAS			46,65
120 - 240 mm ²	2		36943-0010	1	NT SILAS			66,30
150 - 300 mm ²	3		36991-0010	1	NT SILAS			72,60

Accessories for NH Fuse-Bases, Series SILAS



36982-0010

Contact prism for two copper and aluminium conductors

Properties:

- Supplement for the connection of two cables
- 1 Set = 3 pcs.

Description	Size	Amps	Order-No.	PU	PG	Sur. Ag	Sur. Cu	Price €/pc.
2 x 35 - 70 mm ²	1		36982-0010	1	NT SILAS			87,80
35 - 150 mm ²	1		36992-0010	1	NT SILAS			17,10
2 x 70 - 120 mm ²	2		36983-0010	1	NT SILAS			100,50
95 - 300 mm ²	2 - 3		36994-0010	1	NT SILAS			22,45
2 x 150 - 185 mm ²	3		36984-0010	1	NT SILAS			113,25



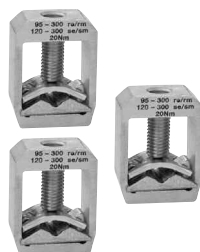
36937-0010

Quick fixing set

Properties:

- Quick fixing onto supporting rails with spacing 125 or 150 mm

Description	Size	Amps	Order-No.	PU	PG	Sur. Ag	Sur. Cu	Price €/pc.
Quick fixing set for supporting rails, distance 125 or 150 mm	00-1	160-250	36937-0010	1	NT SILAS			5,60



36994-0010

Box terminal

Properties:

- Supplement from screws to clamps
- 1 Set = 3 pcs.

Description	Size	Amps	Order-No.	PU	PG	Sur. Ag	Sur. Cu	Price €/pc.
35 - 150 mm ²	1	250	36992-0010	1	NT SILAS			17,10
95 - 300 mm ²	2 - 3	400-630	36994-0010	1	NT SILAS			22,45

Product overview Standard-Fuse-bases

Size	00	1	2	3
Nominal current (A)	125/160	250	400	630
1-pole, Baseplate mounting	•	•	•	•
3-pole, Baseplate mounting	•	•	•	•
Busbar mounting Size 00 - 3	•	•	•	•
Supporting-rail mounting	•			

Product overview Special designs

Size	000	3L
1-pole, AC 1500 V		•
3-pole, Supporting-rail mounting	•	

Product overview NH Fuse-Bases, series SILAS, 3-pole

Size	00	1	2
Nominal current (A)	125/160	250	400
Baseplate mounting	•	•	•
Supporting-rail mounting	•	•	•

Technical Data acc. to VDE 0636 T201/IEC 60269-2-1

For NH Fuse-Links acc. to DIN 43620/1	Size	000	00	1	2	3	3L
Rated current I_N	A	125	160	250	400	630	630
Rated voltage U_N	V	690					
Current type and rated frequency		AC 50Hz					
Rated insulation voltage U_i	V	690					
r.m.s value of the power-frequency test voltage for 60s	V	2500					
Maximum cut-off current / (when protected by NH Fuse-Links)	kA	25	25	38	48	70	25
Permissible ambient temperature	°C	-25 till +55					
Degree of protection DIN/EN 60529/VDE 0470 T1	IP	IP 3x	IP 00				
Maximum power dissipation of the NH Fuse-Links	W	12	12	32	45	60	132
Weight without NH Fuse-Links 1-pole	kg	-	0,14	0,34	0,41	0,62	1,6
Weight without NH Fuse-Links 3-pole	kg	0,33	0,52	1,03	1,22	-	-
Weight without NH Fuse-Links 3-pole series SILAS	kg	-	0,50	1,4	2,10	-	-

Tightening torques for terminal and busbar mounting

Size	NH 000	NH 00	NH 1	NH 2	NH 3
Typ of terminal	Tightening Torques Nm				
Universal terminal (Screw-type)	-	12	20	20	20
Pressure plates with screws	-	3	6	8	8
Pressure plates with screws and contact prism	-	3	6	8	8
Box terminal	-	6	6	8	8
Busbar contacting	4,5	4,5	12	20	20

NH Fuse-Bases 1-pole for baseplate mounting / supporting-rail mounting

Technical data

NH Fuse-Bases size 00-3, for baseplate mounting

Description	Size	Amps I _n	Order no.	Description	Pack	Weight in kg
Multiple use terminal with pressure plates for cable 1,5–50 mm ²	00	125	33600-0030	NH-UNT 00 125A U3U3	12	0,14
with flat terminal, screw and nut M8	00	160	33600-0010	NH-UNT 00 160A L4L4	12	0,14
with inserted nut and screw M8	00	160	33600-0020	NH-UNT 00 160A G4G4	12	0,14
Multiple use terminal with pressure plates and prism for cable 1,5–70 mm ²	00	160	33600-0040	NH-UNT 00 160A U4U4	12	0,14
with V-stamped (clamps not included)	00	160	33600-0050	NH-UNT 00 160A V2V2	3	0,14
Clamp for 2 x 35 mm ²	00	160	33600-0060	NH-UNT 00 160A S9S9	3	0,14
Neutral bar with flat terminal	00	160	33680-0010	NULLSCHIENE 00L4L4	10	0,120
flat terminal M8	00	160	33120-0010	NH-UNT 00 160A G4G4	10	0,120
with flat terminal, screw and nut M10	1	250	33627-0010	NH-UNT 1 250A L5L5	3	0,34
with inserted nut and screw M10	1	250	33627-0020	NH-UNT 1 250A G5G5	3	0,34
with V-stamped (clamps not included)	1	250	33627-0050	NH-UNT 1 250A V2V2	3	0,34
with flat terminal, screw and nut M10	2	400	33632-0010	NH-UNT 2 400A L5L5	3	0,41
with inserted nut and screw M10	2	400	33632-0020	NH-UNT 2 400A G5G5	3	0,41
with V-stamped (clamps not included)	2	400	33632-0050	NH-UNT 2 400A V2V2	3	0,41
with flat terminal, screw and nut M12	3	630	33035-0020	NH-UNT 3 L6L6	3	0,62
with inserted screw nut M10	3	630	33036-0020	NH-UNT 3 G5G5	3	0,62

NH Fuse-Bases size 00, for mounting onto supporting rails

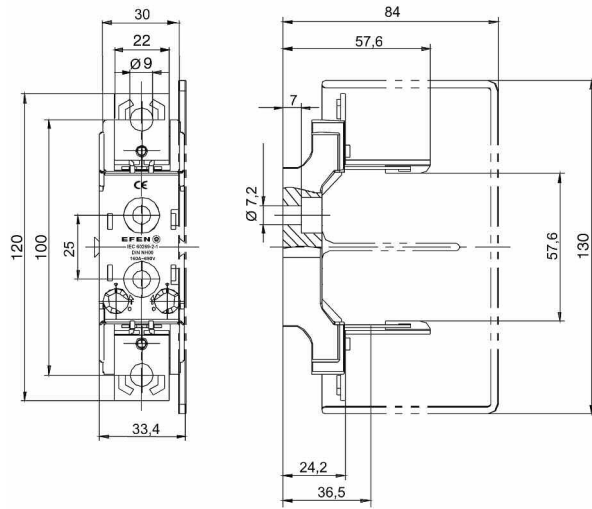
Description	Size	Amps I _n	Order no.	Description	Pack	Weight in kg
with flat terminal, screw and nut M8	00	160	33602-0010	NH-UNT 00 160A HB L4L4	12	0,14
with inserted nut and screw M8	00	160	33602-0020	NH-UNT 00 160A HB G4G4	12	0,14
Multiple use terminal with pressure plates for cable 1,5-50 mm ²	00	125	33602-0030	NH-UNT 00 125A HB U3U3	12	0,14
Multiple use terminal with pressure plates and prism for cable 1,5-70 mm ²	00	160	33602-0040	NH-UNT 00 160A HB U4U4	12	0,14
with V-stamped (clamps not included)	00	160	33602-0050	NH-UNT 00 160A HB V2V2	12	0,14
Clamp for 2 x 35 mm ²	00	160	33602-0060	NH-UNT 00 160A HB S9S9	12	0,14
Flat terminal M8	00	160	33120-0070	NH-Unt 00 160 A HN G4G4	10	0,130

NH Fuse-Bases

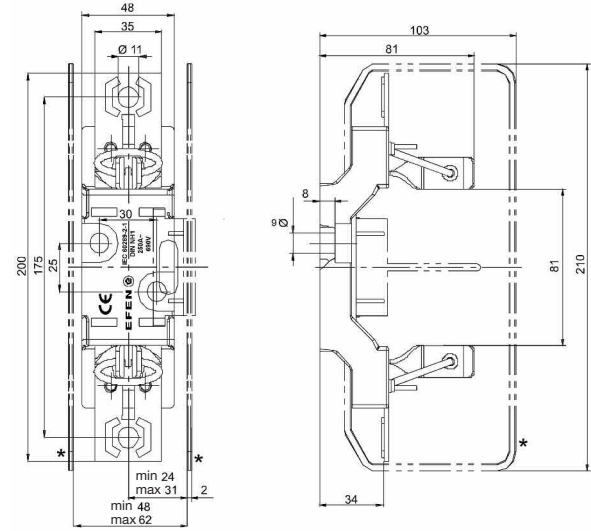
1-pole for baseplate mounting / supporting-rail mounting

Dimensions drawings

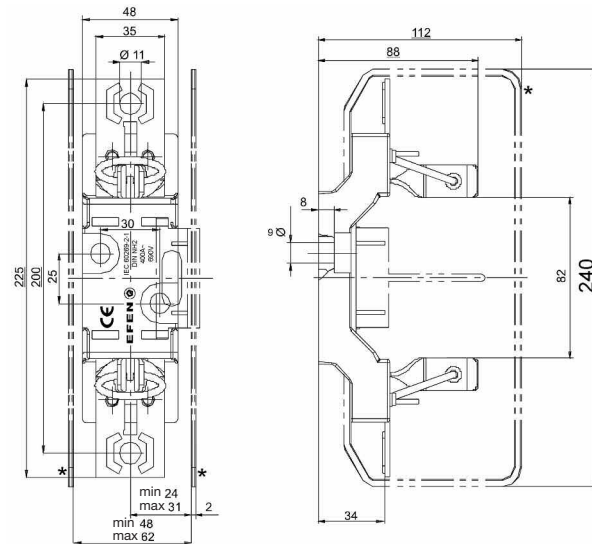
Size 00, row 336....



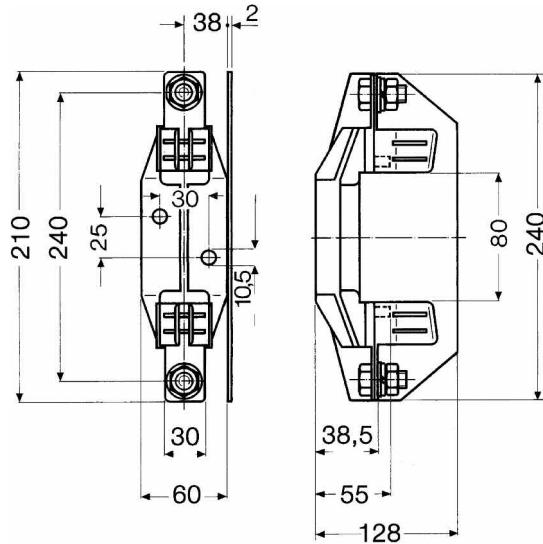
Size 1, row 336...



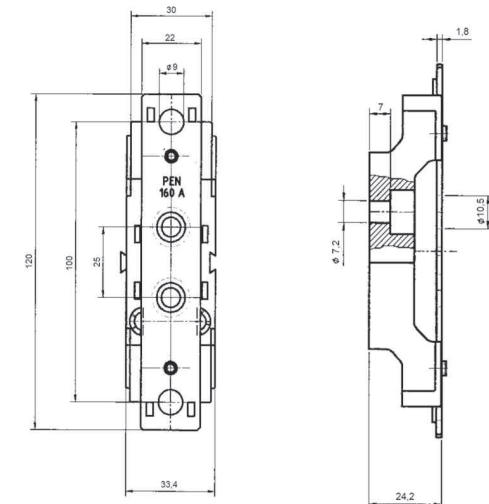
Size 2, row 336...



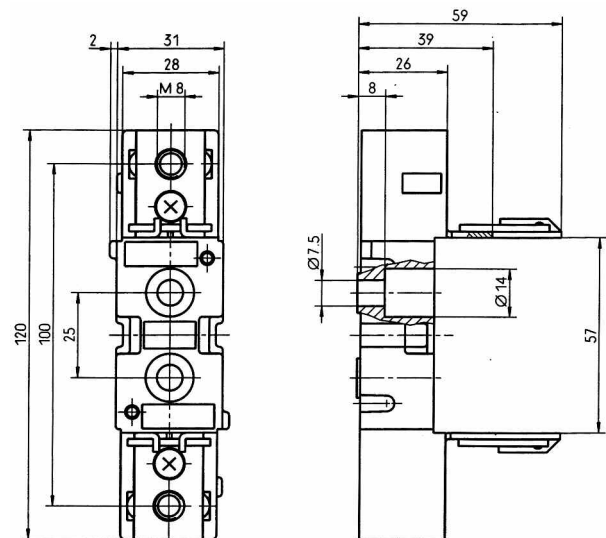
Size 3, row 3303....



Neutral bar Size 00



NH Fuse-Base Size 00 33120....



NU

NH Fuse-Bases 1-pole for busbar mounting / baseplate mounting

Technical data

NH-Fuse-Bases size 00-3, for busbar mounting acc. to DIN 43870

Description	Size	Amps I _n	Order no.	Description	Pack	Weight in kg
Flat terminal M8, Mounting by clamps	00	160	33003-0020	NH-UNT 00 160A SB F2L4	10	0,14
Flat terminal M8, Mounting by hooks	00	160	33001-0020	NH-UNT 00 160A SB F1L4	10	0,14
Flat terminal M12, Mounting by screws	1-3	250-630	33135-0010	NH-UNT 1-3 SB SH L6	3	0,14

NH-Fuse-Bases size 3L, 1500 V AC, for baseplate mounting

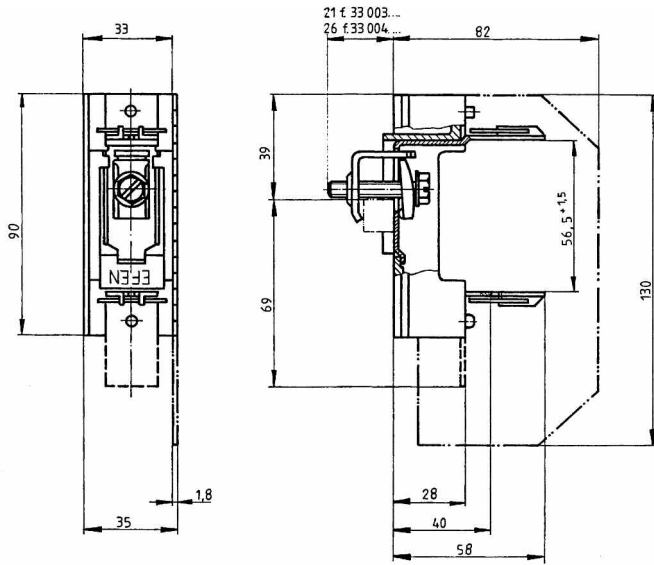
Description	Size	Amps I _n	Order no.	Description	Pack	Weight in kg
Inserted screw nut M12, without striker	3L	425	33039-0010	NH-UNT 3L 1500 V G6 G6	1	1,24
Inserted screw nut M12, with striker	3L	425	33041-0010	NH-UNT 3L 1500 V Ms G6 G6	1	1,24
Inserted screw nut M16, without striker	3L	630	33040-0010	NH-UNT 3L 1500 V G8 G8	1	1,24
Inserted screw nut M16, with striker	3L	630	33042-0010	NH-UNT 3L 1500 V Ms G8 G8	1	1,24

NH Fuse-Bases

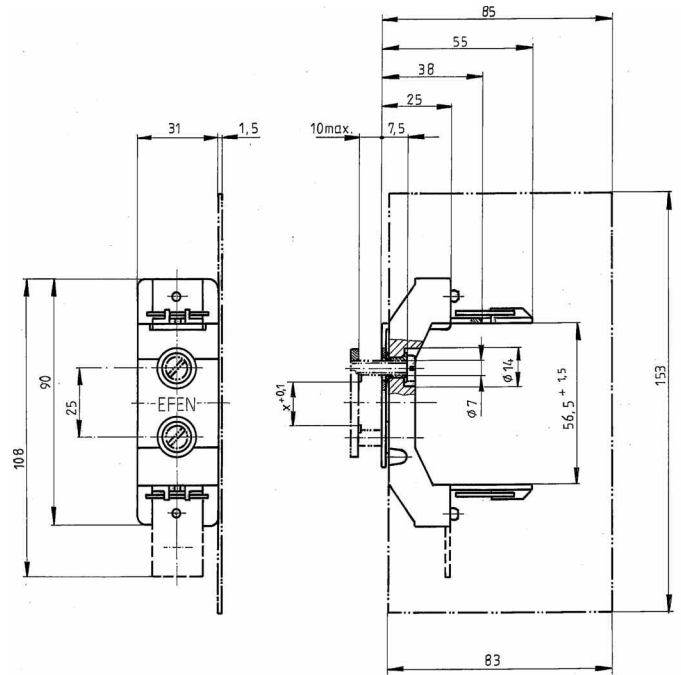
1-pole for busbar mounting / baseplate mounting

Dimensions drawings

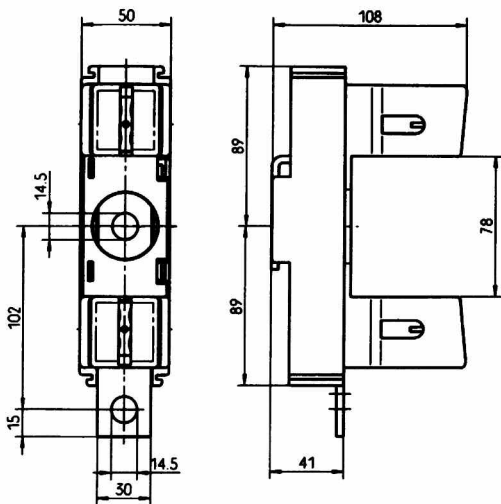
Size 00, 33003-0020



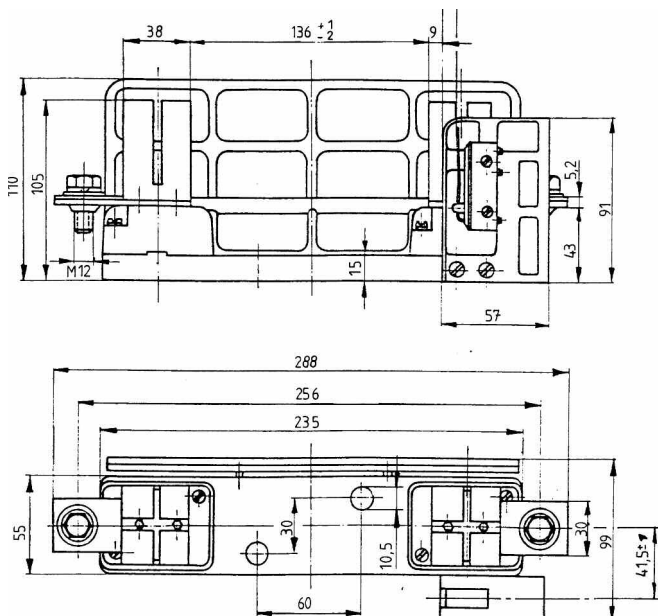
Size 00, 33001-0020



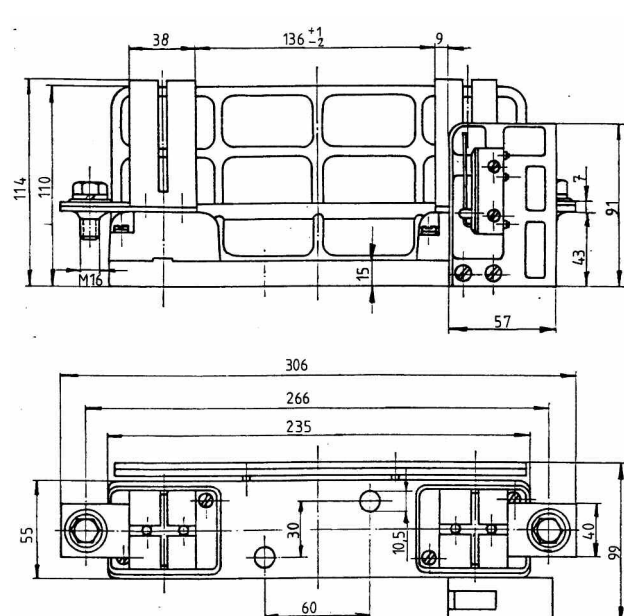
Size 3, 33135-0010



Size 3L / Inserted screw nut M12, 425 A, 33039-0010/33040-0010



Inserted screw nut M16, 630 A 33041-0010/33042-0010



NH Fuse-Bases 3-pole for baseplate- or supporting-rail mounting

Technical data

NH Fuse-Base 690 V AC, 3-pole for baseplate- or supporting-rail mounting

Description	Size	Amps I _n	Order no.	Description	Pack	Weight in kg
Flat terminal M8	00	160	33608-0010	NH-UNT 00 3P 160A L4L4	4	0,52
Inserted screw nut M8	00	160	33608-0020	NH-UNT 00 3P 160A G4G4	4	0,52
Multiple use terminal with pressure plates for cable für Kabel 1,5–50 mm ²	00	125	33608-0030	NH-UNT 00 3P 125A U3U3	4	0,52
Multiple use terminal with pressure plates and prism for cable 1,5–70 mm ²	00	160	33608-0040	NH-UNT 00 3P 160A U4U4	4	0,52
V-stamped (clamps not included)	00	160	33608-0050	NH-UNT 00 3P 160A V2V2	4	0,52
Clamp for 2 x 35 mm ²	00	160	33608-0060	NH-UNT 00 3P 160A S9S9	4	0,52
Flat terminal M10	1	250	33631-0010	NH-UNT 1 3P 250A L5L5	1	1,03
Inserted screw nut M10	1	250	33631-0020	NH-UNT 1 3P 250A G5G5	1	1,03
V-stamped (clamps not included)	1	250	33631-0050	NH-UNT 1 3P 250A V2V2	1	1,03
Flat terminal M10	2	400	33633-0010	NH-UNT 2 3P 400A L5L5	1	1,22
Inserted screw nut M10	2	400	33633-0020	NH-UNT 2 3P 400A G5G5	1	1,22
V-stamped (clamps not included)	2	400	33633-0050	NH-UNT 2 3P 400A V2V2	1	1,22
Flat terminal M12	3	630	33037-0010	NH-UNT 3 3P L6L6	1	2,57

NH Fuse-Base 690 V AC, 3-pole for supporting-rail mounting

Description	Size	Amps I _n	Order no.	Description	Pack	Weight in kg
Box terminal 1,5–50 mm ²	000	100	33125-0010	NH-UNT 000 3P 160A HB R4R4	10	0,33

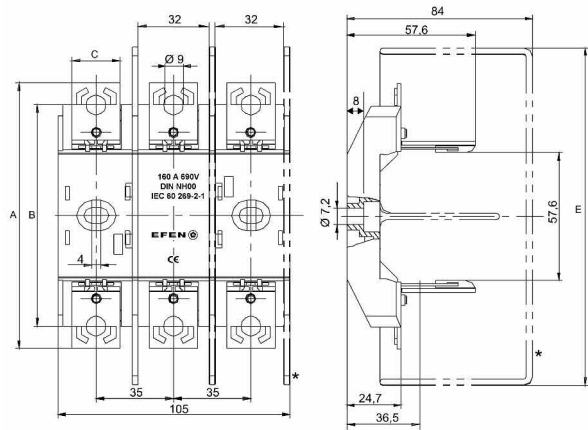
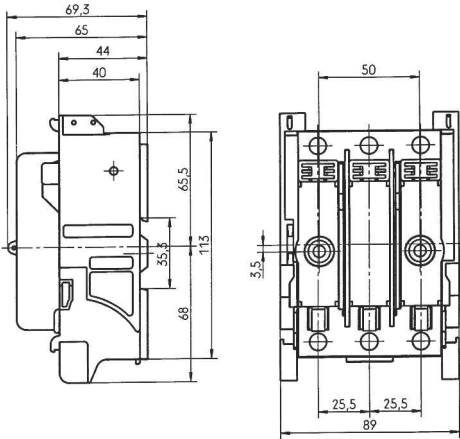
NH Fuse-Bases

3-pole for baseplate- or supporting-rail mounting

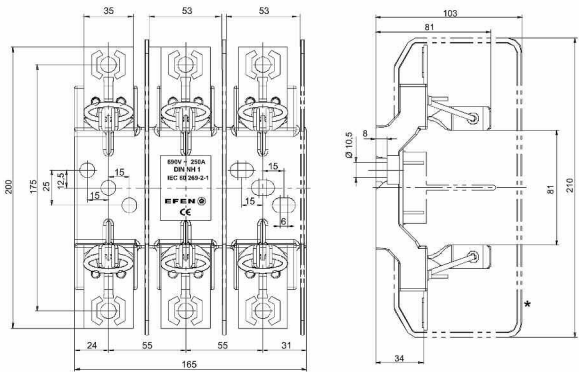
Dimensions drawings

Size 000, 33125-0010

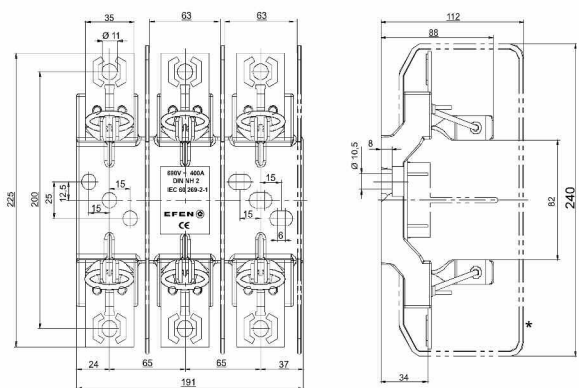
Size 00, row 336...



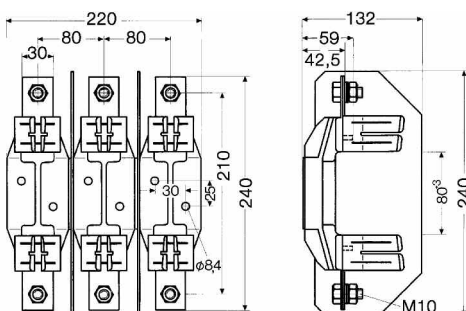
Size 1, row 336...



Size 2, row 336....



Size 3, 33037-0010



NU

NH Fuse-Bases SILAS 690 V AC

3-pole, Size 00-2

Technical data

For baseplate mounting

Description	Size	Amps I _n	Order no.	Description	Pack	Weight in kg
Multiple use terminal (screw M8)	00	160	33300-0000	SILAS NH-UNT 00 3P G4G4	1	0,50
Box terminal 2,5-95 mm ²	00	160	33301-0000	SILAS NH-UNT 00 3P RR	1	0,60
Multiple use terminal (screw M10)	1	250	33320-0000	SILAS NH-UNT 1 3P G5G5	1	1,40
Multiple use terminal (screw M10)	2	400	33330-0000	SILAS NH-UNT 2 3P G5G5	1	2,10

For busbar mounting on 60 mm systems with hook contacting

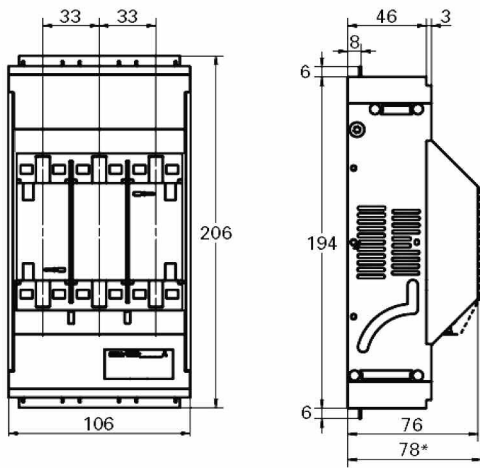
Description	Size	Amps I _n	Order no.	Description	Pack	Weight in kg
Multiple use terminal (screw M8)	00	160	33304-0000	SILAS NH-UNT 00 SB 3P G4	1	0,60
Box terminal 2,5-95 mm ²	00	160	33305-0000	SILAS NH-UNT 00 SB 3P R	1	0,60
Multiple use terminal (screw M10)	1	250	33321-0000	SILAS NH-UNT 1 SB 60 3P G5	1	1,50
Multiple use terminal (screw M10)	2	400	33331-0000	SILAS NH-UNT 2 SB 60 3P G5	1	2,40

NH Fuse-Bases SILAS 690 V AC
3-pole, Size 00-2

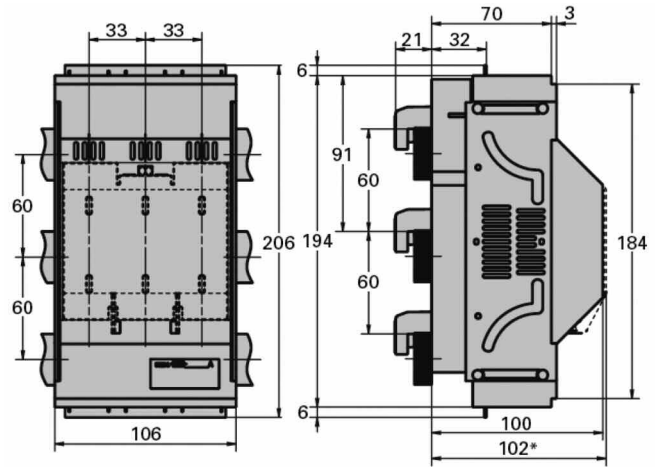
Dimensions drawings

Size 00

Busbar mounting Size 00



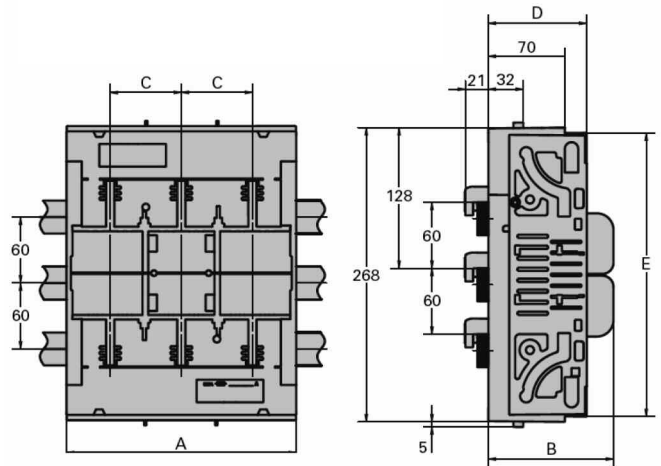
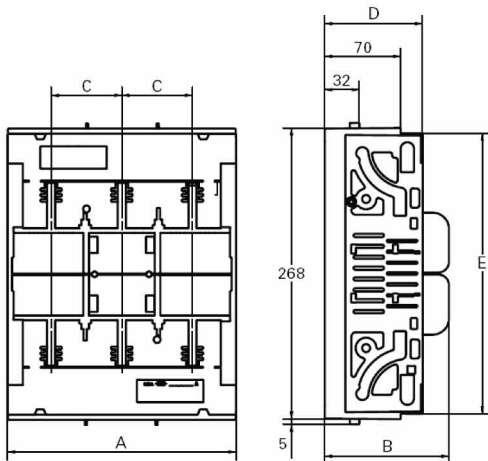
* = with fuse cover



* = with fuse cover

Size 1/2

Busbar mounting Size 1/2



	A	B	C	D	E
Size 1	184	96	57	70	258
Size 2	210	114	65	90	258

NU